



P.I.T.[®]

Progressive Innovational Technology



PRODUCT PASSPORT
USER'S MANUAL



ПАСПОРТ ИЗДЕЛИЯ
ИНСТРУКЦИЯ ПОЛЬЗОВАТЕЛЯ

CORDLESS JIGSAW АККУМУЛЯТОРНОЙ ЛОБЗИК



EAC

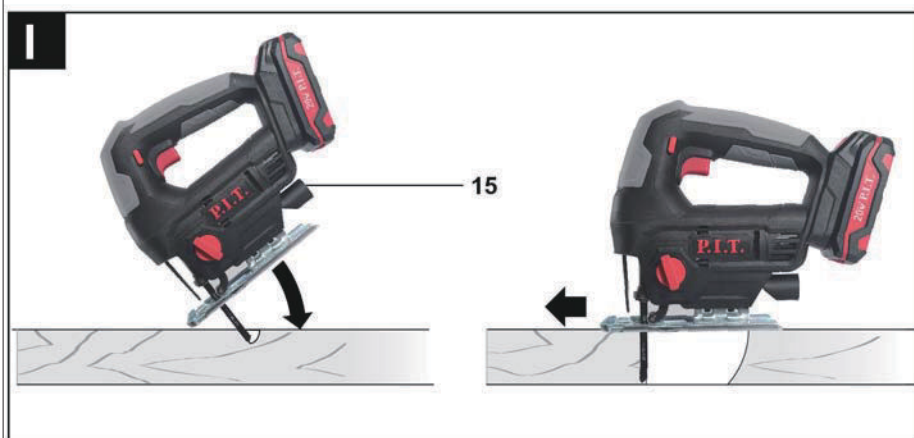
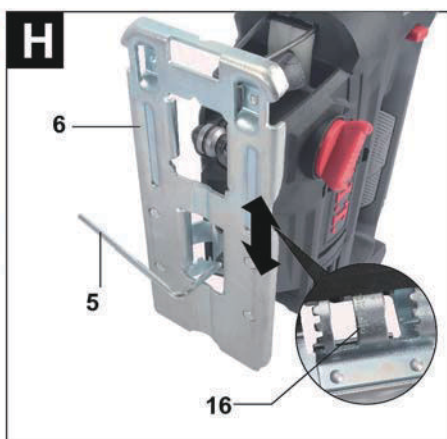
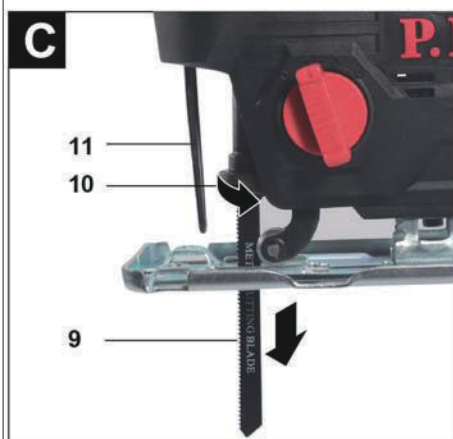
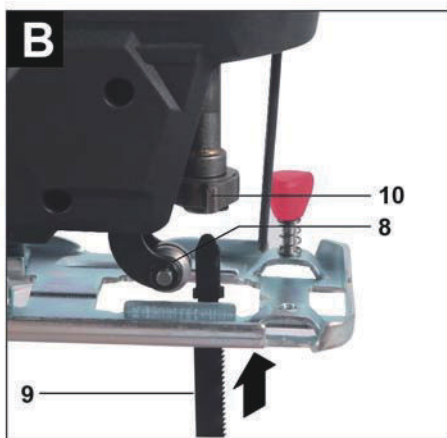
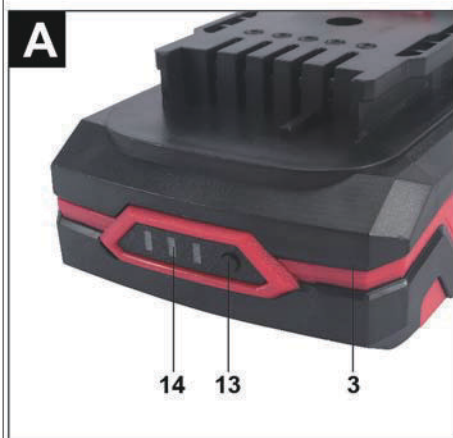
PST20H-70A PST20H-80A

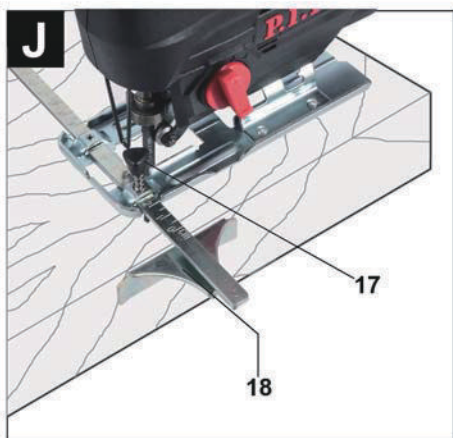
PROGRESSIVE INNOVATIONAL TECHNOLOGY

ПРОГРЕССИВНЫЕ ИННОВАЦИОННЫЕ ТЕХНОЛОГИИ









English

Safety Notes

General Power Tool Safety Warnings

⚠ WARNING Read all safety warnings and all instructions.

Failure to follow the warnings and instructions may result in electric shock, fire and/or serious injury.

Save all warnings and instructions for future reference. The term "power tool" in the warnings refers to your mains- operated (corded) power tool or battery-operated (cordless) power tool.

Work area safety

- ▶ **Keep work area clean and well lit.** Cluttered or dark areas invite accidents.
- ▶ **Do not operate power tools in explosive atmospheres, such as in the presence of flammable liquids, gases or dust.** Power tools create sparks which may ignite the dust or fumes.
- ▶ **Keep children and bystanders away while operating a power tool.** Distractions can cause you to lose control.

Electrical safety

- ▶ **Power tool plugs must match the outlet. Never modify the plug in any way. Do not use any adapter plugs with earthed (grounded) power tools.** Unmodified plugs and matching outlets will reduce risk of electric shock.
- ▶ **Avoid body contact with earthed or grounded surfaces, such as pipes, radiators, ranges and refrigerators.** There is an increased risk of electric shock if your body is earthed or grounded.
- ▶ **Do not expose power tools to rain or wet conditions.** Water entering a power tool will increase the risk of electric shock.
- ▶ **Do not abuse the cord. Never use the cord for carrying, pulling or unplugging the power tool. Keep cord away from heat, oil, sharp edges and moving parts.** Damaged or entangled cords increase the risk of electric shock.
- ▶ **When operating a power tool outdoors, use an extension cord suitable for outdoor use.** Use of a cord suitable for outdoor use reduces the risk of electric shock.
- ▶ **If operating a power tool in a damp location is unavoidable, use a residual current device (RCD) protected supply.** Use of an RCD reduces the risk of electric shock.

Personal safety

- ▶ **Stay alert, watch what you are doing**

and use common sense when operating a power tool. Do not use a power tool while you are tired or under the influence of drugs, alcohol or medication.

A moment of inattention while operating power tools may result in serious personal injury.

- ▶ **Use personal protective equipment. Always wear eye protection.** Protective equipment such as dust mask, nonskid safety shoes, hard hat, or hearing protection used for appropriate conditions will reduce personal injuries.
- ▶ **Prevent unintentional starting. Ensure the switch is in the off-position before connecting to power source and/or battery pack, picking up or carrying the tool.** Carrying power tools with your finger on the switch or energising power tools that have the switch on invites accidents.
- ▶ **Remove any adjusting key or wrench before turning the power tool on.** A wrench or a key left attached to a rotating part of the power tool may result in personal injury.
- ▶ **Do not overreach. Keep proper footing and balance at all times.** This enables better control of the power tool in unexpected situations.
- ▶ **Dress properly. Do not wear loose clothing or jewellery. Keep your hair, clothing and gloves away from moving parts.** Loose clothes, jewellery or long hair can be caught in moving parts.
- ▶ **If devices are provided for the connection of dust extraction and collection facilities, ensure these are connected and properly used.** Use of dust collection can reduce dust-related hazards.

Power tool use and care

- ▶ **Do not force the power tool. Use the correct power tool for your application.** The correct power tool will do the job better and safer at the rate for which it was designed.
- ▶ **Do not use the power tool if the switch does not turn it on and off.** Any power tool that cannot be controlled with the switch is dangerous and must be repaired.
- ▶ **Disconnect the plug from the power source and/or the battery pack from the power tool before making any adjustments, changing accessories, or storing power tools.** Such preventive safety measures reduce the risk of starting the power tool accidentally.

- ▶ **Store idle power tools out of the reach of children and do not allow persons unfamiliar with the power tool or these instructions to operate the power tool.** Power tools are dangerous in the hands of untrained users.
- ▶ **Maintain power tools. Check for misalignment or binding of moving parts, breakage of parts and any other condition that may affect the power tool's operation. If damaged, have the power tool repaired before use.** Many accidents are caused by poorly maintained power tools.
- ▶ **Keep cutting tools sharp and clean.** Properly maintained cutting tools with sharp cutting edges are less likely to bind and are easier to control.
- ▶ **Use the power tool, accessories and tool bits etc. in accordance with these instructions, taking into account the working conditions and the work to be performed.** Use of the power tool for operations different from those intended could result in a hazardous situation.

Battery tool use and care

- ▶ **Recharge only with the charger specified by the manufacturer.** A charger that is suitable for one type of battery pack may create a risk of fire when used with another battery pack.
- ▶ **Use power tools only with specifically designated battery packs.** Use of any other battery packs may create a risk of injury and fire.
- ▶ **When battery pack is not in use, keep it away from other metal objects, like paper clips, coins, keys, nails, screws or other small metal objects, that can make a connection from one terminal to another.** Shorting the battery terminals together may cause burns or a fire.
- ▶ **Under abusive conditions, liquid may be ejected from the battery; avoid contact. If contact accidentally occurs, flush with water. If liquid contacts eyes, additionally seek medical help.** Liquid ejected from the battery may cause irritation or burns.

Service

- ▶ **Have your power tool serviced by a qualified repair person using only identical replacement parts.** This will ensure that the safety of the power tool is maintained.

Safety Warnings for Jigsaws

- ▶ **Hold power tool by insulated gripping surfaces, when performing an operation where the cutting accessory may contact hidden wiring.** Cutting accessory contacting a "live" wire may make exposed metal parts of the power tool "live" and could give the operator an electric shock.
- ▶ **Keep hands away from the sawing range. Do not reach under the workpiece.** Contact with the saw blade can lead to injuries.
- ▶ **Apply the machine to the workpiece only when switched on.** Otherwise there is danger of kickback when the cutting tool jams in the workpiece.
- ▶ **Pay attention that the base plate rests securely on the material while sawing.** A jammed saw blade can break or lead to kickback.
- ▶ **When the cut is completed, switch off the machine and then pull the saw blade out of the cut only after it has come to a standstill.** In this manner you can avoid kickback and can place down the machine securely.
- ▶ **Use only undamaged saw blades that are in perfect condition.** Bent or dull saw blades can break, negatively influence the cut, or lead to kickback.
- ▶ **Do not brake the saw blade to a stop by applying side pressure after switching off.** The saw blade can be damaged, break or cause kickback.
- ▶ **Use appropriate detectors to determine if utility lines are hidden in the work area or call the local utility company for assistance.** Contact with electric lines can lead to fire and electric shock. Damaging a gas line can lead to explosion. Penetrating a water line causes property damage.
- ▶ **Secure the workpiece.** A workpiece clamped with clamping devices or in a vice is held more secure than by hand.
- ▶ **Always wait until the machine has come to a complete stop before placing it down.** The tool insert can jam and lead to loss of control over the power tool.
- ▶ **Do not open the battery.** Danger of short-circuiting.



Protect the battery against heat, e.g., against continuous intense sunlight, fire, water, and moisture.
 Danger of explosion.

- ▶ **In case of damage and improper use**

of the battery, vapours may be emitted. **Ventilate the area and seek medical help in case of complaints.** The vapours can irritate the respiratory system.

- ▶ **Use the battery only in conjunction with your PIT power tool.** This measure alone protects the battery against dangerous overload.
- ▶ **Use only original P.I.T. batteries with the voltage listed on the nameplate of your power tool.** When using other batteries, e.g. imitations, reconditioned batteries or other brands, there is danger of injury as well as property damage through exploding batteries.

Product Description and Specifications



Read all safety warnings and all instructions.

Failure to follow the warnings and instructions may result in electric shock, fire and/or serious injury.

Intended Use

The machine is intended for making separating cuts and cutouts in wood, plastic, metal, ceramic plates and rubber while resting firmly on the workpiece. It is suitable for straight and curved cuts with mitre angles to 45°. The saw blade recommendations are to be observed.

Product Features

The numbering of the product features refers to the illustration of the machine on the graphics page.

- 1 Lock-off button for On/Off switch
- 2 On/Off switch
- 3 Battery pack
- 4 Battery unlocking button
- 5 Allen key
- 6 Base plate
- 7 Adjusting lever for orbital action
- 8 Guide wheel
- 9 Saw blade
- 10 SDS clamping lever for saw blade release
- 11 Contact protector
- 12 Handle (insulated gripping surface)
- 13 Button for battery level indicator
- 14 battery level indicator
- 15 Vacuum connection
- 16 Scale for mitre angle
- 17 Locking screw for parallel guide
- 18 Parallel guide

Technical Parameters

Model	PST20H-70A
Voltage	20V
Stroke speed	0-2400/min
Cutting depth of wood(Max.)	70mm
Cutting depth of iron(Max.)	3mm
Cutting depth of aluminum(Max.)	6mm
Strok	19mm
Bevel cuts (left/right)	±45°
Compatible battery (availability may vary)	PH20-2.0 (2Ah) PH20-3.0 (3Ah) PH20-4.0 (4Ah) PH20-5.0 (5Ah) PH20-6.0 (6Ah)
Compatible charger (availability varies by package)	PH20-2.4A PH20-3.0A
weight	2.5Kg

Model	PST20H-80A
Voltage	20V
Stroke speed	0-2400/min
Cutting depth of wood(Max.)	80mm
Cutting depth of iron(Max.)	4mm
Cutting depth of aluminum(Max.)	5mm
Strok	25.4mm
Bevel cuts (left/right)	±45°
Compatible battery (availability varies by package)	PH20-2.0 (2Ah) PH20-3.0 (3Ah) PH20-4.0 (4Ah) PH20-5.0 (5Ah) PH20-6.0 (6Ah)
Compatible charger (availability varies by package)	PH20-2.4A PH20-3.0A
weight	2.5Kg

Note

Since the product is constantly being improved, **P.I.T.** reserves the right to make changes to the specifications and product specifications specified here without prior notice.

Assembly

- ▶ **Before any work on the machine itself**

(e.g. maintenance, tool change, etc.) as well as during transport and storage, remove the battery from the power tool.

There is danger of injury when unintentionally actuating the On/Off switch.

Battery Charging

► Only use chargers that designed for P.I.T. 20V platforms. Only these battery chargers are matched to the lithium ion battery of your power tool.

Note: The battery is supplied partially charged. To ensure full capacity of the battery, completely charge the battery in the battery charger before using your power tool for the first time. The Lithium-Ion battery can be charged at any time without reducing its service life. Interrupting the charging procedure does not damage the battery.

The Lithium-Ion battery is protected against deep discharging by the Electronic Cell Protection. When the battery is empty, the machine is switched off by means of a protective circuit: The inserted tool no longer rotates.

► **Do not continue to press the On/Off switch after the machine has been automatically switched off.** The battery can be damaged.

The battery is equipped with a NTC temperature control which allows charging only within a temperature range of between 0 °C and 45 °C. A long battery service life is achieved in this manner.

Observe the notes for disposal.

Removing the battery





The battery is equipped with two locking levels that should prevent the battery from falling out when pushing the battery unlocking button 4 unintentionally. As long as the battery is inserted in the power tool, it is held in position by means of a spring.




To remove the battery, press the battery unlocking button 4 and pull the battery toward the rear out of the power tool. **Do not exert any force when doing this.**

Battery level indication (see figure A)

The two green and one red LEDs of the battery level indicator indicate the level of the battery. For safety reasons, it is only possible to check the status of the battery level when the machine is at a standstill.

Press button to indicate the battery level. This is also possible when the battery is removed.

LED( Green,  Red)	Capacity
	≥2/3
	≥1/3

LED( Green,  Red)	Capacity
	<1/3

Replacing/Inserting the Saw Blade

► **When mounting the saw blade, wear protective gloves.** Danger of injury when touching the saw blade.

Selecting a Saw Blade

The saw blade should not be longer than required for the intended cut. Use a thin saw blade for narrow curve cuts.

Inserting the Saw Blade (see figure B)

► **Clean the shank of the saw blade before inserting it.** An unclean shank cannot be fastened securely.

Insert the saw blade into the stroke rod until it latches. The SDS lever automatically snaps to the rear and the saw blade is locked. Do not manually press the lever toward the rear, otherwise you could damage the machine. While inserting the saw blade, pay attention that the back of the saw blade is positioned in the groove of the guide roller.

► **Check the tight seating of the saw blade.** A loose saw blade can fall out and lead to injuries.

Ejecting the Saw Blade (see figure C)

► **When ejecting the saw blade, hold the machine in such a manner that no persons or animals can be injured by the ejected saw blade.**

Turn the SDS lever forward towards the contact protector to the stop. The saw blade is released and ejected.

Dust/Chip Extraction

The Dusts from materials such as lead-containing coatings, some wood types, minerals and metal can be harmful to one's health. Touching or breathing-in the dusts can cause allergic reactions and/or lead to respiratory infections of the user or bystanders.

Certain dusts, such as oak or beech dust, are considered as carcinogenic, especially in connection with wood-treatment

additives (chromate, wood preservative). Materials containing asbestos may only be worked by specialists.

– As far as possible, use a dust extraction system suitable for the material.

– Provide for good ventilation of the working place.

– It is recommended to wear a P2 filter-class respirator.

Observe the relevant regulations in your country for the materials to be worked.

► **Prevent dust accumulation at the work-**

place. Dusts can easily ignite.

Connecting the dust extraction

Fit the extraction outlet in the recesses of the base plate.

Connect a dust extraction hose to the extraction outlet. Connect the dust extraction hose to a dust extractor.

For optimum dust extraction, where possible use the anti-splinter guard.

The dust extractor must be suitable for the material being worked.

When extracting dry dust that is especially detrimental to health or carcinogenic, use a special dust extractor.

Operation

Operating Modes

► **Before any work on the machine itself (e.g. maintenance, tool change, etc.) as well as during transport and storage, remove the battery from the power tool.**

There is danger of injury when unintentionally actuating the On/Off switch.

Orbital Action Settings

The four orbital action settings allow for optimal adaptation of cutting speed, cutting capacity and cutting pattern to the material being sawed.

You can also adjust the pendulum action during operation using the adjusting lever.

(PST20H-70A)


"0" No pendulum action


"1" Low pendulum action


"2" Moderate pendulum action


"3" High pendulum action

(PST20H-80A)

 EXACT No pendulum action

 Low pendulum action

 Moderate pendulum action

 High pendulum action

The optimum pendulum level for each application can be determined by a practical test. Note the following recommendations:

– Select a lower pendulum level or switch off the pendulum action completely if you wish to produce a finer or cleaner cutting edge.

– Switch off the pendulum action when machining thin materials (e.g. sheets).

– Work on hard materials (e.g. steel) with low pendulum action.

– You can work on soft materials and saw wood in the direction of the grain using maxi-

mum pendulum action.

Setting the mitre/bevel angle

The base plate can be swivelled to the right or left to make mitre cuts up to 45°.

The extraction outlet and anti-splinter guard cannot be used while mitre/bevel cuts are being made.

– Remove the extraction outlet and the anti-splinter guard.

– Loosen the screw with the hex key and slide the base plate all the way towards the battery.

– The base plate has lock-in points at 0° and 45° on the left and right so that precise mitre/bevel angles can be set.

Swivel the base plate to the desired position according to the scale. Other mitre / bevel angles can be adjusted using a protractor.

– Then push the base plate towards the saw blade as far as it will go.

– Retighten the screw.

Starting Operation

Inserting the battery

Note: The use of batteries unsuitable for your power tool can lead to malfunctions or damage to the power tool.

Slide the charged battery from below into the foot of the power tool. Press the battery fully into the base until the battery is securely locked.

► **Do not look directly into the worklight; it can blind you.**

Switching On and Off

► **Make sure that you are able to press the On/Off switch without releasing the handle.**

To switch on the power tool, press the lock-off button first, there by deactivating it. Then press the on/off switch and keep it pressed.

The work light lights up when the on/off switch is lightly or fully pressed allowing the work area to be illuminated in poor lighting conditions.

► **Do not look directly into the worklight; it can blind you.**

To switch off the power tool, release the on/off switch.

Activate the lock-off button by pressing the lock-off button.

Note: For safety reasons, the on/off switch cannot be locked; it must remain pressed during the entire operation.

Controlling the stroke rate

You can variably adjust the stroke rate of the power tool when it is on by pressing in the on/off switch to varying extents.

Applying light pressure to the on/off switch re-

sults in a low stroke rate. Applying increasing pressure to the switch increases the stroke rate.

The required stroke rate is dependent on the material and the work conditions and can be determined using practical tests.

It is recommended that you reduce the stroke rate when placing the saw blade on the workpiece and when sawing plastic and aluminium.

During prolonged periods of use at a low stroke rate, the power tool may heat up significantly. Remove the saw blade and let the power tool run at the maximum stroke rate for around three minutes to cool down.

Temperature-dependent overload protection

In normal conditions of use, the power tool cannot be overloaded.

If the power tool is overloaded or not kept within the permitted battery temperature range, the speed is reduced or the power tool switches off. At reduced speed, the power tool will run again at full speed once the permitted battery temperature is reached or the load is reduced. If it automatically shuts down, switch the power tool off, allow the battery to cool down, then switch the power tool back on.

Working Advice

- ▶ **Remove the battery from the power tool before carrying out work on the power tool (e.g. maintenance, changing tool, etc.). The battery should also be removed for transport and storage.** There is risk of injury from unintentionally pressing the on/off switch.
- ▶ **Switch the power tool off immediately if the saw blade becomes blocked.**
- ▶ **Always use a sturdy support when working on small or thin workpieces.**

Before sawing into wood, chipboard, building materials, etc., check for and remove any foreign objects such as nails, screws, etc.

Plunge cutting (see figure J)

- ▶ **Plunge cuts may only be applied to soft materials, such as wood, gypsum board, etc.**

For plunge cutting, use only short saw blades. Plunge cutting is possible only with a mitre angle of 0°.

Place the power tool so that the front edge of the base plate rests on the workpiece, without the saw blade touching the workpiece, and switch it on. On power tools with stroke rate control, select the maximum stroke rate. Press the power tool firmly against the work-

piece and allow the saw blade to plunge slowly into the workpiece.

As soon as the base plate rests fully on the workpiece, continue sawing along the required cutting line.

Coolant/lubricant

As the material heats up along the cutting line when cutting metal, you should apply coolant or lubricant.

Recommendations for Optimal Handling of the Battery. Protect the battery against moisture and water.

Only store the battery within a temperature range of -20 to 50 °C. Do not leave the battery in your car in the summer, for example.

Occasionally clean the ventilation slots on the battery using a soft brush that is clean and dry.

A significantly reduced operating time after charging indicates that the battery has deteriorated and must be replaced.

Follow the instructions on correct disposal.

Maintenance and Service

Maintenance and Cleaning

- ▶ **Remove the battery from the power tool before carrying out work on the power tool (e.g. maintenance, changing tool, etc.). The battery should also be removed for transport and storage.** There is risk of injury from unintentionally pressing the on/off switch.
- ▶ **To ensure safe and efficient operation, always keep the power tool and the ventilation slots clean.**

Clean the saw blade receptacle regularly. For this, remove the saw blade from the power tool and lightly tap out the power tool on a level surface.

If the power tool becomes very dirty, this can lead to serious faults. For this reason, do not cut materials which generate large quantities of dust from below or overhead.

If the dust outlet becomes blocked, switch off the power tool, disconnect the dust extraction system and remove the dust and chips.

Apply a drop of oil to the guide roller from time to time.

Check the guide roller regularly. If worn, it must be replaced through an authorised **P.I.T.** after-sales service centre.

Dispose of waste

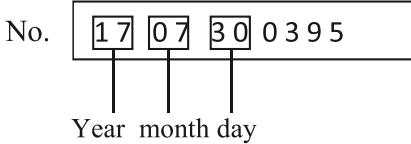


Damaged power tools, batteries, accessories and waste packaging materials must

be recycled and reused in an environmentally friendly manner.

Do not throw power tools and accumulators / batteries into general household waste!

Product serial number interpretation serial number



The first and second digits of the product serial number from left to right

Year of production, the third and fourth digits indicate the month of production, the

The fifth and sixth digits indicate the production day.

TERMS OF WARRANTY SERVICE

1. This Warranty Certificate is the only document that confirms your right to free warranty service. Without presenting this certificate, no claims are accepted. In case of loss or damage, the warranty certificate is not restored.

2. The warranty period for the electric machine is 12 months from the date of sale, during the warranty period the service department eliminates manufacturing defects and replaces parts that have failed due to the fault of the manufacturer free of charge. In the warranty repair, an equivalent operable product is not provided. Replaceable parts become property of service providers.

P.I.T is not liable for any damage that may be caused by operation of the electric machine.

3. Only clean tool accompanied with the following duly executed documents: this Warranty Certificate, Warranty Card, with all fields filled out, bearing the stamp of the trade organization and the signature of the buyer, shall be accepted for warranty repair.

4. Warranty repair is not performed in the following cases:

- in the absence of a Warranty Certificate and a Warranty Card or their incorrect execution;
- with failure of both a rotor and a stator of the electric engine, charring or melting of primary winding of the welding machine transformer, charging or starting-charging device, with internal parts melting, burn down of electronic circuit boards;
- if a Warranty Certificate or a Warranty Card does not correspond to this electric machine or to the form established by the supplier;
- upon expiration of the warranty period;
- at attempts of opening or repair of the electric machine outside the warranty workshop;

making constructive changes and lubrication of the tool during the warranty period, as evidenced, for example, by the creases on the spline parts of the fasteners of non-rotational parts.

- when using electric tools for production or other purposes connected with making a profit, as well as in case of malfunctions related to instability of the power network parameters exceeding the norms established by GOST;

- in the events of improper operation (use the electric machine for other than intended purposes, attachments to the electric machine of attachments, accessories, etc. not provided by the manufacturer);

- with mechanical damage to the case, power cord and in case of damages caused by aggressive agents and high and low temperatures, ingress of foreign objects in the ventilation grids of the electric machine, as well as in case of damage resulting from improper storage (corrosion of metal parts);

- natural wear and tear on the parts of the electric machine, as a result of long-term operation (determined on the basis of the signs of full or partial depletion of the specified mean life, great contamination, presence of rust outside and inside the electric machine, waste lubricant in the gearbox);

- use of the tool the purposes for other than specified in the operating instructions.

- mechanical damages to the tool;

- in the event of damages due to non-observance of the operating conditions specified in the instruction (see chapter "Safety Precautions" of the Manual).

- damage to the product due to non-observance of the rules of storage and transportation.

Preventive maintenance of electric machines (cleaning, washing, lubrication, replacement of anthers, piston and sealing rings) during the warranty period is a paid service.

The service life of the product is determined by the manufacturer and is 2 years from the date of manufacture.

The owner is notified of any possible violations of the above terms of warranty service upon completion of diagnostics in the service center.

The owner of the tool entrusts the diagnostic procedure to be conducted in the service center in his absence.

Do not operate the electric machine when there are signs of excessive heat, sparking, or noise in the gearbox. To determine the cause of the malfunction, the buyer should contact the warranty service center.

Malfunctions caused by late replacement of

carbon brushes of the engine are eliminated at the expense of the buyer.

5. The warranty does not cover:

- replacement accessories (accessories and components), for example: batteries, discs, blades, drill bits, borers, chucks, chains, sprockets, collet clamps, guide rails, tension and fastening elements, trimming device heads, base of grinding and belt sander machines, hexagonal heads, etc.,
- fast wearing parts, for example: carbon brushes, drive belts, seals, protective covers, guiding rollers, guides, rubber seals, bearings, toothed belts and wheels, shanks, brake belts, starter ratchets and ropes, piston rings, etc. Their replacement during the warranty period is a paid service;
- power cords, in case of damage to the insulation, power cords are subject to mandatory replacement without the consent of the owner (paid service);
- tool case.

Указания по технике безопасности

Общие указания по технике безопасности для электроинструментов

⚠ ПРЕДУПРЕЖДЕНИЕ Прочитайте все указания по технике безопасности, инструкции, иллюстрации и спецификации, предоставленные вместе с настоящим электроинструментом. Несоблюдение какихлибо из указанных ниже инструкций может стать причиной поражения электрическим током, пожара и/или тяжелых травм.

Сохраняйте эти инструкции и указания для будущего использования.

Использованное в настоящих инструкциях и указаниях понятие «электроинструмент» распространяется на электроинструмент с питанием от сети (с сетевым шнуром) и на аккумуляторный электроинструмент (без сетевого шнура).

Безопасность рабочего места

- ▶ **Содержите рабочее место в чистоте и хорошо освещенным.** Беспорядок или неосвещенные участки рабочего места могут привести к несчастным случаям.
- ▶ **Не работайте с электроинструментами во взрывоопасной атмосфере, напр., содержащей горючие жидкости, воспламеняющиеся газы или пыль.** Электроинструменты искрят, что может привести к воспламенению пыли или паров.
- ▶ **Во время работы с электроинструментом не допускайте близко к Вашему рабочему месту детей и посторонних лиц.** Отвлечшись, Вы можете потерять контроль над электроинструментом.

Электробезопасность

- ▶ **Штепсельная вилка электроинструмента должна подходить к штепсельной розетке. Ни в коем случае не вносите изменения в штепсельную вилку. Не применяйте переходные штекеры для электроинструментов с защитным заземлением.** Незмененные штепсельные вилки и подходящие штепсельные розетки снижают риск поражения электротоком.
- ▶ **Предотвращайте телесный контакт с заземленными поверхностями, как**

то: с трубами, элементами отопления, кухонными плитами и холодильниками. При заземлении Вашего тела повышается риск поражения электротоком.

- ▶ **Защищайте электроинструмент от дождя и сырости.** Проникновение воды в электроинструмент повышает риск поражения электротоком.
- ▶ **Не разрешается использовать шнур не по назначению. Никогда не используйте шнур для транспортировки или подвески электроинструмента, или для извлечения вилки из штепсельной розетки. Защищайте шнур от воздействия высоких температур, масла, острых кромок или подвижных частей электроинструмента.** Поврежденный или спутанный шнур повышает риск поражения электротоком.
- ▶ **При работе с электроинструментом под открытым небом применяйте пригодные для этого кабелиудлинители.** Применение пригодного для работы под открытым небом кабеляудлинителя снижает риск поражения электротоком.
- ▶ **Если невозможно избежать применения электроинструмента в сыром помещении, подключайте электроинструмент через устройство защитного отключения.** Применение устройства защитного отключения снижает риск электрического поражения.

Безопасность людей

- ▶ **Будьте внимательны, следите за тем, что делаете, и продуманно начинайте работу с электроинструментом. Не пользуйтесь электроинструментом в усталом состоянии или под воздействием наркотиков, алкоголя или лекарственных средств.** Один момент невнимательности при работе с электроинструментом может привести к серьезным травмам.
- ▶ **Применяйте средства индивидуальной защиты. Всегда носите защитные очки.** Использование средств индивидуальной защиты, как то: защитной маски, обуви на нескользящей подошве, защитного шлема или средств защиты органов слуха, в зависимости от вида работы с электроинструментом снижает риск получения травм.
- ▶ **Предотвращайте непреднамеренное включение электроинструмента. Перед тем как подключить электроин-**

струмент к сети и/или к аккумулятору, поднять или переносить электроинструмент, убедитесь, что он выключен. Удержание пальца на выключателе при транспортировке электроинструмента и подключение к сети питания включенного электроинструмента чревато несчастными случаями.

- ▶ **Убирайте установочный инструмент или гаечные ключи до включения электроинструмента.** Инструмент или ключ, находящийся во вращающейся части электроинструмента, может привести к травмам.
- ▶ **Не принимайте неестественное положение корпуса тела. Всегда занимайте устойчивое положение и сохраняйте равновесие.** Благодаря этому Вы можете лучше контролировать электроинструмент в неожиданных ситуациях.
- ▶ **Носите подходящую рабочую одежду. Не носите широкую одежду и украшения.** Держите волосы и одежду вдали от подвижных деталей. Широкая одежда, украшения или длинные волосы могут быть затянuty вращающимися частями.
- ▶ **При наличии возможности установки пылеотсасы-вающих и пылесборных устройств проверяйте их присоединение и правильное использование.** Применение пылесоса может снизить опасность, создаваемую пылью.
- ▶ **Хорошее знание электроинструментов, полученное в результате частого их использования, не должно приводить к самоуверенности и игнорированию техники безопасности обращения с электроинструментами.** Одно небрежное действие за долю секунды может привести к серьезным травмам.

ВНИМАНИЕ! В случае возникновения перебоев в работе электроинструмента вследствие полного или частичного прекращения энергоснабжения или повреждения цепи управления энергоснабжением установите выключатель в положение Выкл., убедившись, что он не заблокирован (при его наличии). Отключите сетевую вилку от розетки или отсоедините съёмный аккумулятор. Этим предотвращается неконтролируемый повторный запуск.

Применение электроинструмента и обращение с ним

- ▶ **Не перегружайте электроинструмент. Используйте для работы соответ-**

ствующий специальный электроинструмент. С подходящим электроинструментом Вы работаете лучше и надежнее в указанном диапазоне мощности.

- ▶ **Не работайте с электроинструментом при неисправном выключателе.** Электроинструмент, который не поддается включению или выключению, опасен и должен быть отремонтирован.
- ▶ **Перед тем как настраивать электроинструмент, заменять принадлежности или убирать электроинструмент на хранение, отключите штепсельную вилку от розетки сети и/или выньте, если это возможно, аккумулятор.** Эта мера предосторожности предотвращает непреднамеренное включение электроинструмента.
- ▶ **Храните электроинструменты в недоступном для детей месте. Не разрешайте пользоваться электроинструментом лицам, которые не знакомы с ним или не читали настоящих инструкций.** Электроинструменты опасны в руках неопытных лиц.
- ▶ **Тщательно ухаживайте за электроинструментом и принадлежностями.** Проверяйте безупречную функцию и ход движущихся частей электроинструмента, отсутствие поломок или повреждений, отрицательно влияющих на функцию электроинструмента. Поврежденные части должны быть отремонтированы до использования электроинструмента. Плохое обслуживание электроинструментов является причиной большого числа несчастных случаев.
- ▶ **Держите режущий инструмент в заточенном и чистом состоянии.** Заботливо ухоженные режущие инструменты с острыми режущими кромками режут заклиниваются и их легче вести.
- ▶ **Применяйте электроинструмент, принадлежности, рабочие инструменты и т. п. в соответствии с настоящими инструкциями. Учитывайте при этом рабочие условия и выполняемую работу.** Использование электроинструментов для непредусмотренных работ может привести к опасным ситуациям.
- ▶ **Держите ручки и поверхности захвата сухими и чистыми, следите чтобы на них чтобы на них не было жидкой или консистентной смазки.**

Скользкие ручки и поверхности захвата препятствуют безопасному обращению с инструментом и не дают надежно контролировать его в непредвиденных ситуациях.

Применение и обслуживание аккумуляторного инструмента

- ▶ **Заряжайте аккумулятор только в зарядных устройствах, рекомендуемых изготовителем.** Зарядное устройство, предусмотренное для определенного вида аккумуляторов, может привести к пожарной опасности при использовании его с другими аккумуляторами.
- ▶ **Применяйте в электроинструментах только предусмотренные для этого аккумуляторы.** Использование других аккумуляторов может привести к травмам и пожарной опасности.
- ▶ **Защищайте неиспользуемый аккумулятор от канцелярских скрепок, монет, ключей, гвоздей, винтов и других маленьких металлических предметов, которые могут замкнуть полюса.** Короткое замыкание полюсов аккумулятора может привести к ожогам или пожару.
- ▶ **При неправильном использовании из аккумулятора может потечь жидкость.** Избегайте соприкосновения с ней. При случайном контакте промойте соответствующее место водой. Если эта жидкость попадет в глаза, то дополнительно обратитесь к врачу. Вытекающая аккумуляторная жидкость может привести к раздражению кожи или к ожогам.
- ▶ **Не используйте поврежденные или измененные аккумуляторы или инструменты.** Поврежденные или измененные аккумуляторы могут повести себя непредсказуемо, что может привести к возгоранию, взрыву или риску получения травмы.
- ▶ **Не кладите аккумулятор или инструмент в огонь и не подвергайте их воздействию высоких температур.** Огонь или температура выше 130 °C могут привести к взрыву.
- ▶ **Выполняйте все инструкции по зарядке и не заряжайте аккумулятор или инструмент при температуре, выходящей за указанный в инструкции диапазон.** Неправильная зарядка или зарядка при температурах, выходящих за указанный диапазон, могут повредить

батарею и повысить риск возгорания.

Сервис

- ▶ **Ремонт электроинструмента должен выполняться только квалифицированным персоналом и только с применением оригинальных запасных частей.** Этим обеспечивается безопасность электроинструмента.
- ▶ **Никогда не обслуживайте поврежденные аккумуляторы.** Обслуживать аккумуляторы разрешается только производителю или авторизованной сервисной организации.

Указания по технике безопасности для электролобзиков

- ▶ **При выполнении работ, при которых рабочий инструмент может задеть скрытую электропроводку, держите инструмент за изолированные поверхности.** Контакт с находящейся под напряжением проводкой может зарядить металлические части электроинструмента и привести к удару электрическим током.

Закрепите обрабатываемую заготовку на стабильном основании с помощью зажимов или иным удобным способом. Удерживанием обрабатываемой заготовки в руке или прижим ее к себе не обеспечивается ее стабильное удержание, и она может выйти изпод контроля.

- ▶ **Не подставляйте руки в зону пиления. Не подставляйте руки под заготовку.** При контакте с пыльным полотном возникает опасность травмирования.
- ▶ **Подводите электроинструмент к детали только во включенном состоянии.** В противном случае возникает опасность обратного удара при заклинивании рабочего инструмента в детали.
- ▶ **Следите за тем, чтобы опорная плита во время пиления всегда плотно прилегала к основанию.** Перекошенное пыльное полотно может обломаться или привести к обратному удару.
- ▶ **По окончании рабочей операции выключите электроинструмент; вытягивайте пыльное полотно из прорези только после его полной остановки.** Этим Вы предотвратите рикошет и можете после этого без какихлибо рисков положить электроинструмент.
- ▶ **Выждите полной остановки электроинструмента и только после этого**

выпускайте его из рук. Рабочий инструмент может заесть, и это может привести к потере контроля над электроинструментом.

- ▶ **Используйте только неповрежденные, безупречные пильные полотна.** Изогнутые или затупившиеся пильные полотна могут переломиться; использование таких полотен может отрицательно сказаться на качестве распила или вызвать рикошет.
- ▶ **Не затормаживайте пильное полотно после выключения боковым прижатием.** Это может повредить пильное полотно, обломать его или привести к рикошету.
- ▶ **Используйте соответствующие металлоискатели для нахождения скрытых в стене труб или проводки или обращайтесь за справкой в местное коммунальное предприятие.** Контакт с электропроводкой может привести к пожару и поражению электротоком. Повреждение газопровода может привести к взрыву. Повреждение водопровода ведет к нанесению материального ущерба.
- ▶ **При повреждении и ненадлежащем использовании аккумулятора может выделяться газ.** Аккумулятор может возгораться или взрываться. Обеспечьте приток свежего воздуха и при возникновении жалоб обратитесь к врачу. Газы могут вызвать раздражение дыхательных путей.
- ▶ **Не вскрывайте аккумулятор. При этом возникает опасность короткого замыкания.**
- ▶ **Острыми предметами, как напр., гвоздем или отверткой, а также внешним силовым воздействием можно повредить аккумуляторную батарею.** Это может привести к внутреннему короткому замыканию, возгоранию с задымлением, взрыву или перегреву аккумуляторной батареи.
- ▶ **Используйте аккумуляторную батарею только в изделиях изготовителя.** Только так аккумулятор защищен от опасной перегрузки.



Защищайте аккумуляторную батарею от высоких температур, напр., от длительного нагревания на солнце, от огня, грязи, воды и влаги. Существует опасность взрыва и короткого замыкания.



Описание продукта и услуг



Прочтите все указания и инструкции по технике безопасности. Несоблюдение указаний по технике безопасности и инструкции может привести к поражению электрическим током, пожару и/или тяжелым травмам.

Пожалуйста, соблюдайте иллюстрации в начале руководства по эксплуатации.

Применение по назначению

Электроинструмент предназначен для выполнения на прочной опоре распилов и вырезов в древесине, синтетическом материале, металле, керамических плитках и резине. Он пригоден для выполнения прямых и криволинейных резов с углом наклона до 45°. Учитывайте рекомендации по применению пильных полотен.

Изображенные составные части

Нумерация представленных компонентов выполнена по изображению на странице с иллюстрациями.

- (1) кнопка блокировки для включения / выключения
- (2) выключатель
- (3) Аккумулятор
- (4) кнопка разблокировки аккумулятора
- (5) Шестигранный штифтовый ключ
- (6) Опорная плита
- (7) Рычаг установки маятникового движения
- (8) Направляющий ролик
- (9) Пильное полотно
- (10) Рычаг SDS для разблокировки пильного полотна
- (11) Защита от прикосновения
- (12) Рукоятка (с изолированной поверхностью)
- (13) Кнопка индикатора заряженности аккумуляторной батареи
- (14) Индикатор заряженности аккумуляторной батареи
- (15) Патрубок пылеудаления
- (16) Шкала угла распила
- (17) Стопорный винт для параллельной направляющей
- (18) параллельная направляющая

Технические характеристики

модель	PST20H-70A
напряжение	20V
Скорость хода	0-2400 об / мин
Глубина пропила древесины (Макс.)	70 мм
Глубина резания железа (Макс.)	3 мм
Глубина резки алюминия (Макс.)	6 мм
Скосы порезы (левый / правый)	± 45 °
Длина хода	19 мм
Совместимая аккумуляторная батарея (наличие зависит от комплекта поставки)	PH20-2.0 (2Ач) PH20-3.0 (3Ач) PH20-4.0 (4Ач) PH20-5.0 (5Ач) PH20-6.0 (6Ач)
Совместимое зарядное устройство (наличие зависит от комплекта поставки)	PH20-2.4A PH20-3.0A
вес	2.5 Кг

Модель	PST20H-80A
Напряжение	20V
Скорость хода	0-2400 об / мин
Глубина пропила древесины (Макс.)	80 мм
Глубина резания железа (Макс.)	4 мм
Глубина резки алюминия (Макс.)	5 мм
Скосы порезы (левый / правый)	± 45 °
Длина хода	25.4 мм
Совместимая аккумуляторная батарея (наличие зависит от комплекта поставки)	PH20-2.0 (2Ач) PH20-3.0 (3Ач) PH20-4.0 (4Ач) PH20-5.0 (5Ач) PH20-6.0 (6Ач)
Совместимое зарядное устройство (наличие зависит от комплекта поставки)	PH20-2.4A PH20-3.0A
вес	2.5 Кг

Примечание

Так как изделие постоянно совершенствуется, P.I.T. оставляет за собой право на внесение изменений в указанные здесь технические характеристики и комплектацию изделия без предварительного уведомления.

Сборка

► До начала работ по техобслуживанию, смене инструмента и т. д., а также при транспортировке и хранении извлекайте аккумулятор из электротруинструмента. При непреднамеренном включении возникает опасность травмирования.

Зарядка аккумулятора

► Пользуйтесь только зарядными устройствами, указанными в технических параметрах. Только эти зарядные устройства пригодны для литиевоионного аккумулятора Вашего электроинструмента.

Указание: Аккумуляторная батарея поставляется в частично заряженном состоянии. Для обеспечения полной мощности аккумулятора зарядите его полностью перед первым применением.

Литий-ионный аккумулятор может быть заряжен в любое время без сокращения срока службы. Прекращение процесса зарядки не наносит вреда аккумулятору. Литиево-ионная аккумуляторная батарея защищена от глубокой разрядки системой „Electronic Cell Protection (ECP)“. Защитная схема выключает электроинструмент при разряженном аккумуляторе – рабочий инструмент останавливается.

► После автоматического выключения электротруинструмента не нажимайте больше на выключатель. Аккумулятор может быть поврежден.

Аккумулятор оснащен двумя ступенями фиксирования, призванными предотвращать выпадение аккумулятора при непреднамеренном нажатии на кнопку разблокировки. Пока аккумулятор находится в электротруинструменте, пружина держит его в соответствующем положении.

Чтобы извлечь аккумуляторную батарею, нажмите на кнопку разблокировки (4) и извлеките аккумулятор из электроинструмента. Не применяйте при этом силы.

Индикатор заряженности аккумуляторной батареи




Зеленые светодиоды на индикаторе заряженности аккумулятора показывают уровень его заряда. По причинам безопасности индикатор заряженности активен только в состоянии покоя электроинструмента.

Нажмите кнопку индикатора заряженности аккумулятора, чтобы отобразить степень

заряженности аккумуляторной батареи. Это возможно также и при извлеченной аккумуляторной батарее.

Если после нажатия на кнопку индикатора заряженности аккумуляторной батареи не загорается ни один светодиодный индикатор, аккумулятор неисправен и должен быть заменен.

Тип аккумулятора (см. рис. А)

Светодиод(I , II)	Capacity
	≥2/3
	≥1/3
	<1/3

Установка/смена пыльного полотна

► При установке и смене рабочего инструмента надевайте защитные перчатки. Рабочие инструменты острые и при длительном использовании могут нагреваться.

Выбор пыльного полотна

Длина пыльного полотна не должна быть больше, чем это необходимо для предусмотренного распила.

Используйте для выполнения криволинейных распилов узкое пыльное полотно.

Установка пыльного полотна (см. рис. В)

► Очищайте хвостик пыльного полотна перед установкой. Загрязненный хвостик не может быть надежно закреплен.

Вставьте пыльное полотно, зубьями в сторону реза так, чтобы оно вошло в зацепление в держателе пыльного полотна. Рычаг SDS автоматически возвращается назад и пыльное полотно фиксируется. Не прижимайте рычаг рукой назад, т.к. это чревато повреждением электроинструмента.

Вставляя пыльное полотно, следите за тем, чтобы спинка пыльного полотна лежала в выемке направляющего ролика.

► Проверьте прочность посадки пыльного полотна. Плохо закрепленное пыльное полотно может выпасть и поранить Вас.

Выброс пыльного полотна (см. рис. С)

► При выталкивании пыльного полотна держите электроинструмент так, чтобы не травмировать окружающих лиц и животных.

Поверните рычаг SDS до упора вперед в направлении защиты от прикосновения. Пыльное полотно разблокируется и будет выброшено из держателя.

Удаление пыли и стружки

Пыль некоторых материалов, как напр., красок с содержанием свинца, некоторых сортов древесины, минералов и металлов, может быть вредной для здоровья. Прикосновение к пыли и попадание пыли в дыхательные пути может вызвать аллергические реакции и/или заболевания дыхательных путей оператора или находящегося вблизи персонала.

Определенные виды пыли, напр., дуба и бука, считаются канцерогенными, особенно совместно с присадками для обработки древесины (хромат, средство для защиты древесины). Материал с содержанием асбеста разрешается обрабатывать только специалистам.

► По возможности используйте пригодную для материала систему пылеудаления.

- Хорошо проветривайте рабочее место.
- Рекомендуется пользоваться респираторной маской с фильтром класса P2.

Соблюдайте действующие в Вашей стране предписания для обрабатываемых материалов.

Избегайте скопления пыли на рабочем месте. Пыль может легко воспламениться.

Присоединение устройства пылеудаления (см. рис. D)

Вставьте патрубок пылеудаления в вырез в опорной плите.

Наденьте шланг пылеудаления на патрубок пылеудаления. Подсоедините шланг пылеудаления к пылесосу.

Обзор возможных пылесосов содержится в конце этого руководства.

Пылесос должен быть пригоден для обрабатываемого материала.

Применяйте специальный пылесос для отсасывания особо вредных для здоровья видов пыли возбудителей рака или сухой пыли.

Работа с инструментом

Режимы работы

► До начала работ по техобслуживанию, смене инструмента и т. д., а также при транспортировке и хранении извлекайте аккумулятор из электроинструмента. При непреднамеренном включении возникает опасность травмирования.

Настройка маятникового движения

Четыре ступени маятникового движения позволяют оптимальным образом приве-

сти скорость резания, мощность пиления и рисунок шлифованной поверхности в соответствии с обрабатываемым материалом. С помощью регулирующего рычага можно на-строить маятниковое колебание даже на работающем электроинструменте.

(PST20H-70A)

"0" без маятникового движения

"1" Слабое маятниковое колебание

"2" Среднее маятниковое колебание

"3" Сильное маятниковое колебание

(PST20H-80A)

 без маятникового движения

 Слабое маятниковое колебание

 Среднее маятниковое колебание

 Сильное маятниковое колебание

Оптимальную ступень маятникового движения можно определить пробным пилением. При этом руководствуйтесь следующими рекомендациями:

- Чем тоньше и чище должны быть кромки распила, тем более низкую степень маятникового колебания нужно выбирать, или вообще отключите маятниковые колебания.
- При работе с тонким материалом (напр., листами) отключайте маятниковое колебание.
- При работе с твердыми материалами (напр., сталью) используйте слабое маятниковое колебание.
- Для мягких материалов и при пилении древесины в направлении волокна Вы можете работать с макси-мальными маятниковыми колебаниями.

Настройка угла наклона (см. рис. H)

Для пиления под углом опорную плиту можно повернуть влево или вправо на угол до 45°.

При косой распиловке нельзя использовать патрубков пылеудаления и защиту от вырывания материала.

- Снимите патрубок пылеудаления и защиту от вырывания материала .
- Отпустите винт шестигранным ключом и сместите опорную плиту до упора в направлении аккумулятора.
- Для более точной настройки угла распила на опорной плите справа и слева

есть точки зацепления для 0° и 45°. Наклоните опорную плиту в соответствии со шкалой в требуемое положение. Другие значения угла наклона могут быть установлены с помощью угломера.

- Затем передвиньте опорную плиту до упора в направлении пыльного полотна.
- Снова туго затяните винт.

Смещение опорной плиты (см. рис. I)

Для пиления плотную к краю опорную плиту можно сместить назад.

Отпустите винт опорной приты шестигранным ключом и сместите опорную плиту до упора в направлении аккумулятора.

Снова туго затяните винт.

Распиловка со смещенной опорной плитой возможна только при угле скоса 0°. Кроме того, нельзя использовать защиту от вырывания материала.

Включение электроинструмента**Установка аккумулятора**

Указание: Применение аккумуляторов, не предназначенных для данного электроинструмента, может привести к сбоем в работе или повреждению электроинструмента.

Вставьте заряженный аккумулятор снизу в ножку электроинструмента. Полностью вдавите аккумулятор в ножку, чтобы аккумулятор надежно зафиксировался.

Включение/выключение

Для включения электроинструмента сначала нажмите на Блокиратор выключателя, чтобы деактивировать его. Нажмите затем на выключатель и удерживайте его ажатым.

Подсветка загорается при легком или полном нажатии на выключатель и позволяет освещать рабочую зону при недостаточном общем освещении.

► **Не смотрите прямо на подсветку, она может Вас ослепить.**

Для выключения электроинструмента отпустите выключатель. Активируйте блокиратор, нажав на блокиратор.

Указание: Из соображений безопасности выключатель нельзя зафиксировать, поэтому во время работы его необходимо постоянно держать нажатым.

Регулировка частоты ходов Частота хода включенного электроинструмента может плавно регулироваться путем изменения глубины нажатия на выключатель.

При слабом нажатии на выключатель электроинструмент работает с низкой частотой

хода. С увеличением силы нажатия частота хода увеличивается.

Необходимая частота ходов зависит от материала и рабочих условий и может быть определена методом проб.

При подводе пильного полотна к заготовке и при распиливании пластмасс и алюминия рекомендуется уменьшать частоту ходов.

При продолжительной работе с низкой частотой ходов электроинструмент может сильно нагреться. Выньте пильное полотно из электроинструмента и для охлаждения включите его с макс. числом ходов прибл. на 3 мин.

Термическая защита от перегрузки

При использовании электроинструмента по назначению его перегрузка не возможна. Чрезмерная нагрузка или несоблюдение допустимого диапазона температур для аккумулятора приводит к снижению частоты вращения или отключению электроинструмента. Если снизилась частота вращения, то полное число оборотов электроинструмента наберет только после того, как температура аккумулятора достигнет допустимого диапазона или снова уменьшится нагрузка. При автоматическом отключении выключите электроинструмент, дайте аккумуляторной батарее остыть и затем опять включите электроинструмент.

Указания по применению

- ▶ **До начала работ по техобслуживанию, смене инструмента и т. д., а также при транспортировке и хранении извлекайте аккумулятор из электроинструмента.** При непреднамеренном включении возникает опасность травмирования.
- ▶ **При блокировании пильного полотна немедленно выключайте электроинструмент.**
- ▶ **При обработке маленьких или тонких деталей всегда используйте прочную опору.**

Перед распиливанием древесины, древесностружечных плит, строительных материалов и т.д. проверяйте их на предмет наличия гвоздей, шурупов и т.д., и при необходимости удалите их.

Пиление с погружением (см. рис. 1)

- ▶ **Распиливать с погружением можно только мягкие материалы, напр., древесину, гипсокартон и т.п.!**

Для пиления с погружением применяйте только короткие пильные полотна. Пиление

с погружением возможно только под углом распила 0°.

Установите электроинструмент передней кромкой опорной плиты на заготовку, не касаясь при этом заготовки пильным полотном, и включите электроинструмент. Если электроинструмент имеет регулятор частоты ходов, установите максимальную частоту. Крепко прижмите электроинструмент к заготовке и дайте пильному полотну медленно углубиться в заготовку.

Как только опорная плита всей плоскостью ляжет на заготовку, продолжайте пилить дальше по требуемой линии распила.

Смазывающее-охлаждающее средство

При распиливании металла нанесите для охлаждения материала вдоль линии распила смазывающее-охлаждающее средство.

Указания по оптимальному обращению с аккумулятором

Защищайте аккумулятор от влаги и воды.

Храните аккумулятор только в диапазоне температур от -20 °С до 50 °С. Не оставляйте аккумулятор летом в автомобиле.

Время от времени прочищайте вентиляционные прорези аккумулятора мягкой, сухой и чистой кисточкой.

Значительное сокращение продолжительности работы после заряда свидетельствует о старении аккумулятора и указывает на необходимость его замены.

Учитывайте указания по утилизации.

Техобслуживание и сервис

Техобслуживание и очистка

- ▶ **До начала работ по техобслуживанию, смене инструмента и т. д., а также при транспортировке и хранении извлекайте аккумулятор из электроинструмента.** При непреднамеренном включении возникает опасность травмирования.
- ▶ **Для обеспечения качественной и безопасной работы содержите электроинструмент и вентиляционные прорези в чистоте.**

Регулярно очищайте гнездо пильного полотна. Для этого извлеките пильное полотно из электроинструмента и слегка постучите электроинструментом о ровную поверхность.

Сильное загрязнение электроинструмента может вести к нарушению функциональной способности. Поэтому не распиливайте материалы с сильным пылеобразованием

снизу или над головой.

Если выходное отверстие для пыли засорилось, выключите электроинструмент, снимите пылеотсос и удалите пыль и стружку.

Время от времени смазывайте направляющий ролик каплей масла.

Регулярно проверяйте направляющий ролик. Изношенный ролик должен быть заменен в авторизованной сервисной мастерской для электроинструментов **P.I.T.**

Утилизация

Электроинструменты, аккумуляторные батареи, принадлежности и упаковку нужно сдавать на экологически чистую рекуперацию.



Не выбрасывайте электроинстру-

менты и аккумуляторные батареи/батарейки в бытовой мусор!

РАСШИФРОВКА ДАТЫ ИЗ

ГОТОВЛЕНИЯ ИЗДЕЛИЯ

№.

1	7	0	7	3	0	0	3	9	5
---	---	---	---	---	---	---	---	---	---

год месяц день

Дата изготовления изделия зашифрована в серийном номере, напечатанном на корпусе инструмента. Первые 2 цифры обозначают год выпуска, следующие 2 цифры – месяц и следующие 2 цифры - день.

УСЛОВИЯ ГАРАНТИЙНОГО ОБСЛУЖИВАНИЯ

1. Настоящее гарантийное свидетельство является единственным документом, подтверждающим ваше право на бесплатное гарантийное обслуживание. Без предъявления данного свидетельства претензии не принимаются. В случае утери или порчи гарантийного свидетельства не восстанавливается.

2. Гарантийный срок на электроинструмент составляет 12 месяцев со дня продажи, в течение гарантийного срока сервисная служба бесплатно устраняет производственные дефекты и производит замену

деталей, вышедших из строя по вине изготовителя. На период гарантийного ремонта эквивалентный исправный инструмент не предоставляется. Заменяемые детали переходят в собственность служб сервиса.

Компания P.I.T. не несет ответственности за вред, который может быть причинен при работе с электроинструментом.

3. В гарантийный ремонт инструмент принимается в чистом виде, при обязательном наличии надлежащим образом оформленных документов: настоящего гарантийного свидетельства, гарантийного талона, с полностью заполненными полями, штампом торговой организации и подписью покупателя.

4. Гарантийный ремонт не производится в следующих случаях:

- при отсутствии гарантийного свидетельства и гарантийного талона или неправильном их оформлении;
- при совместном выходе из строя якоря и статора электродвигателя, при обугливание или оплавлении первичной обмотки трансформатора сварочного аппарата, зарядного или пуска-зарядного устройства, при оплавлении внутренних деталей, прожиге электронных плат;
- если гарантийное свидетельство или талон не принадлежат данному электроинструменту или не соответствует установленному поставщиком образцу;
- по истечении срока гарантии;
- при попытках самостоятельного вскрытия или ремонта электроинструмента вне гарантийной мастерской;
- внесения конструктивных изменений и смазки инструмента в гарантийный период, о чем свидетельствуют, например, заломы на шлицевых частях крепежа корпусных деталей.
- при использовании электроинструмента в производственных или иных целях, связанных с получением прибыли, а также при возникновении неисправностей связанных с нестабильностью параметров электросети, превышающих нормы, установленные ГОСТ;
- при неправильной эксплуатации (использование электроинструмента не по назначению, установки на электроинструмент не предназначенных заводом-изготовителем насадок, дополнительных приспособлений и т.п.;
- при механических повреждениях корпуса, сетевого шнура и при повреждениях,

вызванных воздействиями агрессивных средств и высоких и низких температур, попадании инородных предметов в вентиляционные решетки электроинструмента, а также при повреждениях, наступивших в результате неправильного хранения (коррозия металлических частей);

- при естественном износе деталей электроинструмента, в результате длительной эксплуатации (определяется по признакам полной или частичной выработки ресурса, сильного загрязнения, ржавчины снаружи и внутри электроинструмента, отработанной смазки в редукторе);

- использование инструмента не по назначению, указанному в инструкции по эксплуатации.

- при механических повреждениях инструмента;

- при возникновении повреждений в связи с несоблюдением предусмотренных инструкцией условий эксплуатации (см. главу «Указание по технике безопасности» в инструкции).

- повреждение изделия вследствие несоблюдения правил хранения и транспортировки.

Профилактическое обслуживание электроинструмента (чистка, промывка, смазка, замена пыльников, поршневых и уплотнительных колец) в гарантийный период является платной услугой.

Срок службы изделия установлен изготовителем и составляет 2 года со дня изготовления.

О возможных нарушениях, изложенных выше условий гарантийного обслуживания, владельцу сообщается после проведения диагностики в сервисном центре.

Владелец инструмента доверяет проведение диагностики в сервисном центре в свое отсутствие.

Запрещается эксплуатация электроинструмента при проявлении признаков повышенного нагрева, искрения, а также шума в редукторной части. Для выяснения причин неисправности покупателю следует обратиться в гарантийную мастерскую.

Неисправности, вызванные несвоевременной заменой угольных щеток двигателя, устраняются за счет покупателя.

5. Гарантия не распространяется на:

- сменные принадлежности (аксессуары и оснастка), например: аккумуляторы, диски, ножи, сверла, буры, патроны, цепи, звезд-

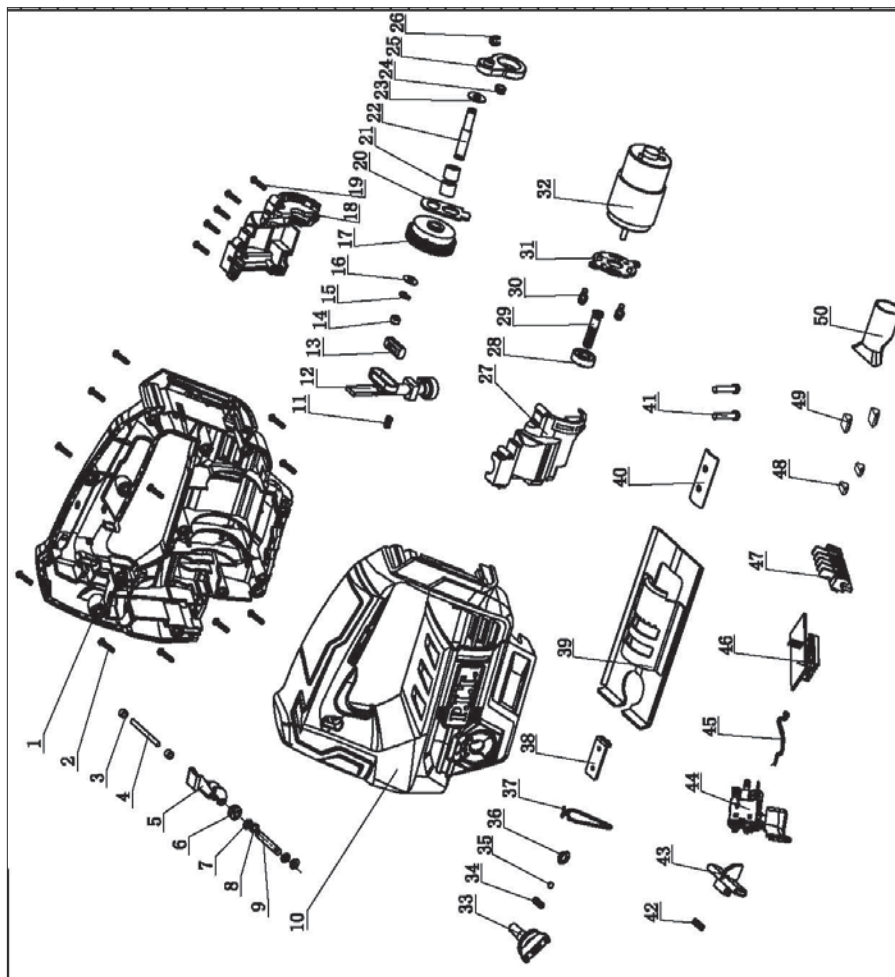
дочки, цанговые зажимы, шины, элементы натяжения и крепления, головки триммеров, подошвы шлифовальных и ленточных машин, фильтры, головки шестигранные и т.п.

- быстроизнашивающиеся детали, например: угольные щетки, приводные ремни, сальники, защитные кожухи, направляющие ролики, направляющие, резиновые уплотнения, подшипники, зубчатые ремни и колеса, стволы, ленты тормоза, храповики и тросы стартеров, поршневые кольца и т.п.

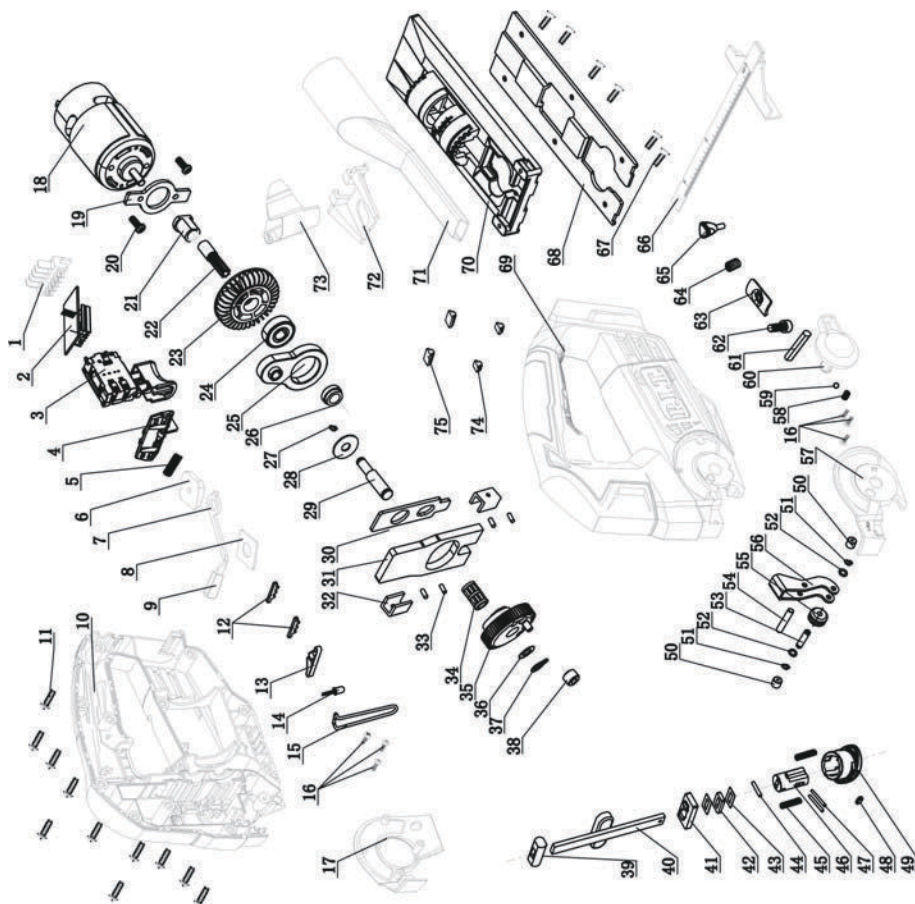
Замена их в течение гарантийного срока является платной услугой.

- шнуры питания, в случае повреждения изоляции, шнуры питания подлежат обязательной замене без согласия владельца (услуга платная), в т.ч. корпуса инструмента.

PST20H-70A



PST20H-80A



ГАРАНТИЙНОЕ СВИДЕТЕЛЬСТВО НА ИНСТРУМЕНТ P.I.T.

Наименование изделия _____

Серийный номер изделия Серийный номер аккумулятора Серийный номер зарядного устройства

Дата продажи « ____ » _____

Наименование торговой организации _____

Уважаемый покупатель!

М.П.

Благодарим Вас за покупку инструмента P.I.T. и надеемся, что Вы останетесь довольны своим выбором.

При необходимости обслуживания Вашего изделия обращайтесь в авторизованные сервисные центры P.I.T. Все сервисные центры представлены на сайте www.pittools.ru

Внимание!

При покупке требуйте у продавца проверки работоспособности инструмента и его комплектности, а также заполнения гарантийного свидетельства, гарантийного талона (графы «Заполняются продавцом») и простановки печати торговой организации в гарантийном свидетельстве и гарантийных талонах.

Гарантия

На основании данного гарантийного свидетельства компания P.I.T. гарантирует отсутствие дефектов производственного характера.

Если в течение гарантийного срока в Вашем изделии обнаружатся указанные дефекты, то специализированные сервисные центры P.I.T. бесплатно отремонтируют изделие и заменят дефектные запасные части.

Гарантийный срок на электроинструменты P.I.T. составляет 12 месяцев со дня продажи.

«С условиями гарантийного обслуживания ознакомлен(а). Работоспособность и комплектность изделия проверены в моем присутствии. Претензий к качеству и внешнему виду не имею».

Подпись покупателя _____ Фамилия (разборчиво) _____

Телефон _____

P.I.T. WARRANTY CARD

		P.I.T. [®]		№ 1	
Name	_____	Name	_____		
Product Serial Number	_____	Product Serial Number	_____		
Battery Serial Number	_____	Battery Serial Number	_____		
Charger Serial Number	_____	Charger Serial Number	_____		
Sale Date	_____ 20__	Sale Date	_____ 20__		Place of Seal
Date of Receipt from Repair	_____ 20__	(Filled out by a Seller)			
		WARRANTY REPAIR CARD			
		Date of Acceptance for Repair	_____ 20__		
		Application for Repair	_____		
		Customer	_____		
		Phone (Address)	_____		
		Cause of Application	_____		
		Date of Receipt from Repair	_____ 20__		
		The Tool is checked in my presence	_____		
		(The Order shall be performed in a Service Center) (Signature)			

		P.I.T. [®]		№ 2	
Name	_____	Name	_____		
Product Serial Number	_____	Product Serial Number	_____		
Battery Serial Number	_____	Battery Serial Number	_____		
Charger Serial Number	_____	Charger Serial Number	_____		
Sale Date	_____ 20__	Sale Date	_____ 20__		Place of Seal
Date of Receipt from Repair	_____ 20__	(Filled out by a Seller)			
		WARRANTY REPAIR CARD			
		Date of Acceptance for Repair	_____ 20__		
		Application for Repair	_____		
		Customer	_____		
		Phone (Address)	_____		
		Cause of Application	_____		
		Date of Receipt from Repair	_____ 20__		
		The Tool is checked in my presence	_____		
		(The Order shall be performed in a Service Center) (Signature)			

		P.I.T. [®]		№ 3	
Name	_____	Name	_____		
Product Serial Number	_____	Product Serial Number	_____		
Battery Serial Number	_____	Battery Serial Number	_____		
Charger Serial Number	_____	Charger Serial Number	_____		
Sale Date	_____ 20__	Sale Date	_____ 20__		Place of Seal
Date of Receipt from Repair	_____ 20__	(Filled out by a Seller)			
		WARRANTY REPAIR CARD			
		Date of Acceptance for Repair	_____ 20__		
		Application for Repair	_____		
		Customer	_____		
		Phone (Address)	_____		
		Cause of Application	_____		
		Date of Receipt from Repair	_____ 20__		
		The Tool is checked in my presence	_____		
		(The Order shall be performed in a Service Center) (Signature)			

ГАРАНТИЙНЫЙ ТАЛОН P.I.T.

P.I.T.[®] Талон № 1

Наименование _____
 Серийный номер изделия _____
 Серийный номер аккумулятора _____
 Серийный номер зарядного устройства _____
 Дата продажи « _____ » _____ 20__

МП

(Заполняется продавцом)
КАРТА ГАРАНТИЙНОГО РЕМОНА
 Дата приема ремонт _____ 20__
 Заявка на ремонт _____
 Заказчик _____
 Телефон (адрес) _____
 Причина обращения _____
 Дата получения от ремонта _____ 20__
 Инструмент проверен в моем присутствии _____
 (Заполняется в Сервисном центре) (Подпись) _____

Наименование _____
 Серийный номер изделия _____
 Серийный номер аккумулятора _____
 Серийный номер зарядного устройства _____
 Дата продажи _____ 20__
 Дата получения от ремонта _____ 20__

P.I.T.[®] Талон № 2

Наименование _____
 Серийный номер изделия _____
 Серийный номер аккумулятора _____
 Серийный номер зарядного устройства _____
 Дата продажи « _____ » _____ 20__

МП

(Заполняется продавцом)
КАРТА ГАРАНТИЙНОГО РЕМОНА
 Дата приема ремонт _____ 20__
 Заявка на ремонт _____
 Заказчик _____
 Телефон (адрес) _____
 Причина обращения _____
 Дата получения от ремонта _____ 20__
 Инструмент проверен в моем присутствии _____
 (Заполняется в Сервисном центре) (Подпись) _____

Наименование _____
 Серийный номер изделия _____
 Серийный номер аккумулятора _____
 Серийный номер зарядного устройства _____
 Дата продажи _____ 20__
 Дата получения от ремонта _____ 20__

P.I.T.[®] Талон № 3

Наименование _____
 Серийный номер изделия _____
 Серийный номер аккумулятора _____
 Серийный номер зарядного устройства _____
 Дата продажи « _____ » _____ 20__

МП

(Заполняется продавцом)
КАРТА ГАРАНТИЙНОГО РЕМОНА
 Дата приема ремонт _____ 20__
 Заявка на ремонт _____
 Заказчик _____
 Телефон (адрес) _____
 Причина обращения _____
 Дата получения от ремонта _____ 20__
 Инструмент проверен в моем присутствии _____
 (Заполняется в Сервисном центре) (Подпись) _____

Наименование _____
 Серийный номер изделия _____
 Серийный номер аккумулятора _____
 Серийный номер зарядного устройства _____
 Дата продажи _____ 20__
 Дата получения от ремонта _____ 20__



Поставщик / производитель: Xinjiang Longbo Industrial Co., Ltd./Синзянь Лонгбо Индастриал Ко., Лтд.

Адрес производства: Rm. 602, 6th Floor, No. 531, Weixing Road, Economic And Technological Development Zone, Urumqi, Xinjiang, China / Оф.602, 6 этаж, №531, Вейшинг Рoad, Экономик Энд Технолджикал Девелопмент Зон, Урумчи, Синзянь, Китай

Импортер/ организация, уполномоченная принимать претензии: ООО «Турбо-Тулс»

Юридический адрес: 614058, Пермский край, г. Пермь, ул. Фоминская, 36
info@pittools.ru

Сделано в КНР / Made in China

