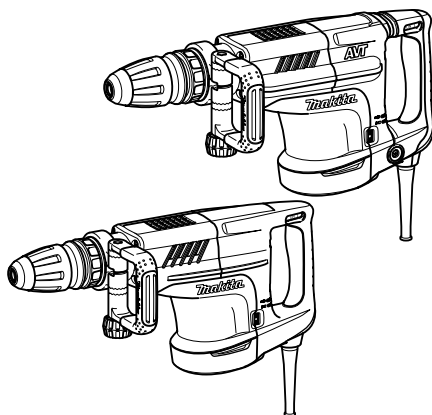
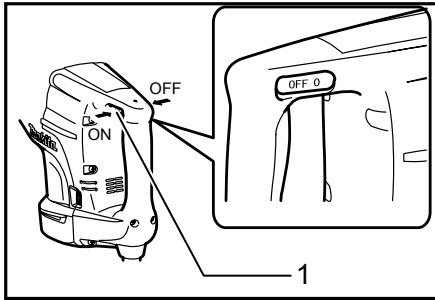




GB	Demolition Hammer	INSTRUCTION MANUAL
S	Mejselhammare	BRUKSANVISNING
N	Borhammer	BRUKSANVISNING
FIN	Murtovasara	KÄYTTÖOHJE
LV	Atskaldāmais āmurs	LIETOŠANAS INSTRUKCIJA
LT	Atskélimo plaktukas	NAUDOJIMO INSTRUKCIJA
EE	Lammutusvasar	KASUTUSJUHEND
RUS	Отбойный молоток	РУКОВОДСТВО ПО ЭКСПЛУАТАЦИИ

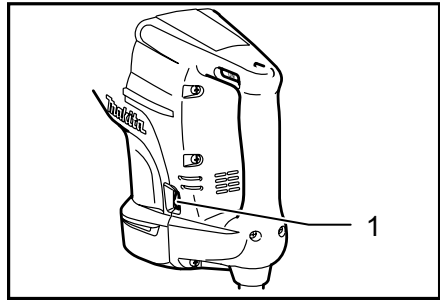
HM1213C
HM1203C





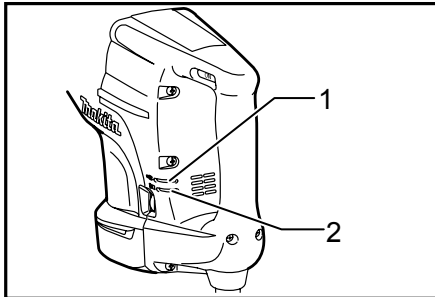
1

009947



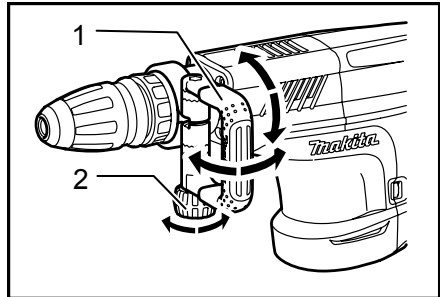
2

009955



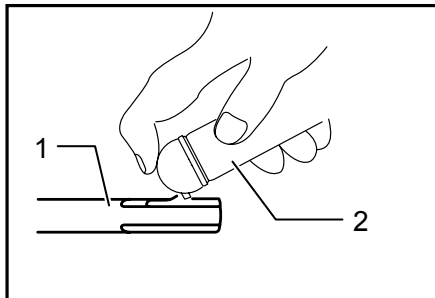
3

009949



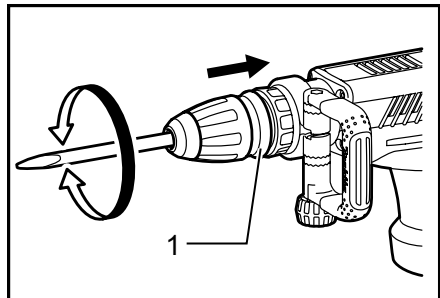
4

009945



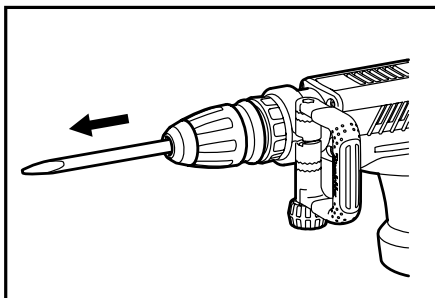
5

009664



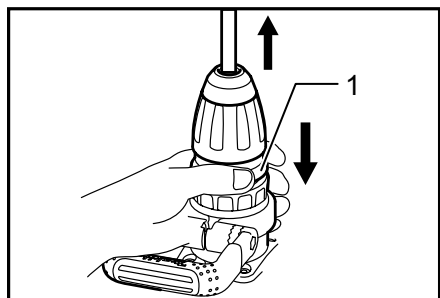
6

009940



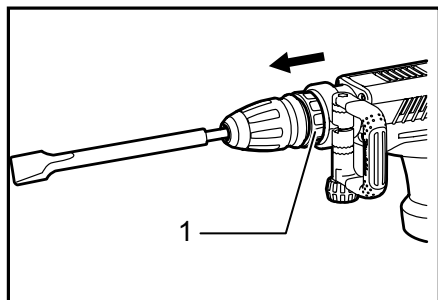
7

009941

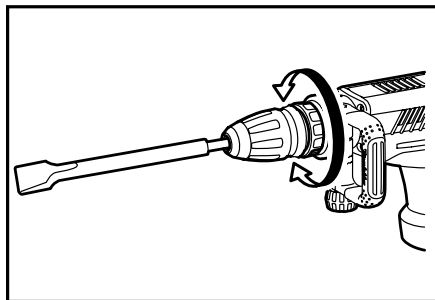


8

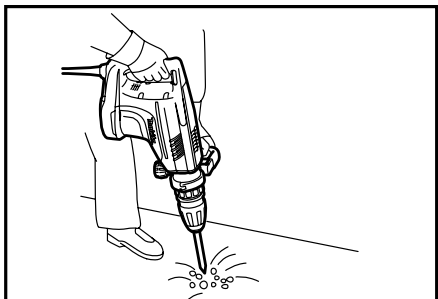
009942



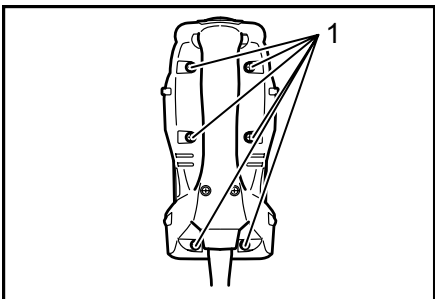
9 009943



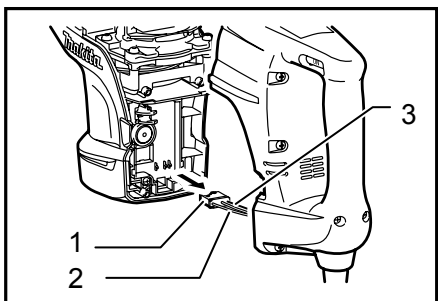
10 009944



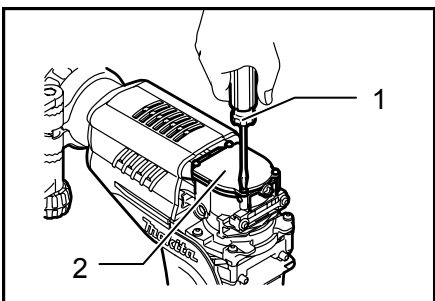
11 009948



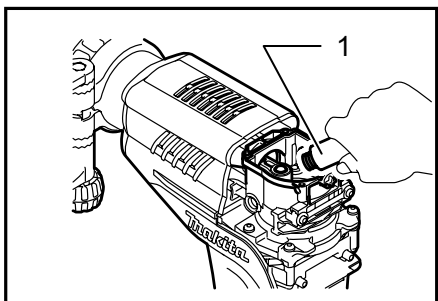
12 009951



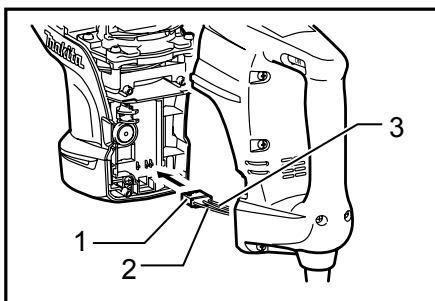
13 009950



14 009952



15 009953



16 009954

ENGLISH (Original instructions)

Explanation of general view

1-1. Switch lever	5-2. Bit grease	13-3. Black
2-1. Adjusting dial	6-1. Releasing cover	14-1. Screwdriver
3-1. Power-ON indicator lamp (green)	8-1. Releasing cover	14-2. Crank cap cover
3-2. Service indicator lamp (red)	9-1. Change ring	15-1. Grease
4-1. Side handle	12-1. Screws	16-1. Connector
4-2. Clamp nut	13-1. Connector	16-2. White
5-1. Bit shank	13-2. White	16-3. Black

SPECIFICATIONS

Model	HM1213C	HM1203C
Blows per minute	950 - 1,900 min ⁻¹	
Overall length	576 mm	
Net weight	10.8 kg	9.7 kg
Safety class	▣ II	

- Due to our continuing programme of research and development, the specifications herein are subject to change without notice.
- Note: Specifications may differ from country to country.
- Weight according to EPTA-Procedure 01/2003

ENE045-1

Intended use

The tool is intended for chiselling work in concrete, brick, stone and asphalt as well as for driving and compacting with appropriate accessories.

ENF002-2

Power supply

The tool should be connected only to a power supply of the same voltage as indicated on the nameplate, and can only be operated on single-phase AC supply. They are double-insulated and can, therefore, also be used from sockets without earth wire.

ENG905-1

Noise

The typical A-weighted noise level determined according to EN60745:

Model HM1213C

Sound pressure level (L_{pA}) : 75 dB(A)

Sound power level (L_{WA}) : 95 dB(A)

Uncertainty (K) : 2.53 dB(A)

Model HM1203C

Sound pressure level (L_{pA}) : 81 dB(A)

Sound power level (L_{WA}) : 95 dB(A)

Uncertainty (K) : 2.1 dB(A)

Wear ear protection

ENG900-1

Vibration

The vibration total value (tri-axial vector sum) determined according to EN60745:

Model HM1213C

Work mode : chiseling function with side handle

Vibration emission ($a_{h,CHetq}$) : 7.0 m/s²

Uncertainty (K) : 1.5 m/s²

Model HM1203C

Work mode : chiseling function with side handle

Vibration emission ($a_{h,CHetq}$) : 15.5 m/s²

Uncertainty (K) : 1.5 m/s²

ENG901-1

- The declared vibration emission value has been measured in accordance with the standard test method and may be used for comparing one tool with another.
- The declared vibration emission value may also be used in a preliminary assessment of exposure.

WARNING:

- The vibration emission during actual use of the power tool can differ from the declared emission value depending on the ways in which the tool is used.
- Be sure to identify safety measures to protect the operator that are based on an estimation of exposure in the actual conditions of use (taking account of all parts of the operating cycle such as the times when the tool is switched off and when it is running idle in addition to the trigger time).

For European countries only

EC Declaration of Conformity

We Makita Corporation as the responsible manufacturer declare that the following Makita machine(s):

Designation of Machine: Demolition Hammer
 Model No./ Type: HM1213C, HM1203C
 Specifications: see "SPECIFICATIONS" table.
 are of series production and

Conforms to the following European Directives:
 2000/14/EC, 2006/42/EC

And are manufactured in accordance with the following standards or standardised documents:

EN60745

The technical documentation is kept by our authorised representative in Europe who is:

Makita International Europe Ltd.
 Michigan Drive, Tongwell,
 Milton Keynes, Bucks MK15 8JD, England

The conformity assessment procedure required by Directive 2000/14/EC was in Accordance with annex VIII.

Notified Body:

TÜV Rheinland LGA Products GmbH
 Tillystraße 2
 D-90431 Nürnberg
 Identification number 0197

Model HM1213C

Measured Sound Power Level: 95dB (A)
 Guaranteed Sound Power Level: 97dB (A)

Model HM1203C

Measured Sound Power Level: 95dB (A)
 Guaranteed Sound Power Level: 98dB (A)

10.8.2010



000230

Tomoyasu Kato
 Director

Makita Corporation
 3-11-8, Sumiyoshi-cho,
 Anjo, Aichi, 446-8502, JAPAN

GEA010-1

General Power Tool Safety Warnings

⚠ WARNING Read all safety warnings and all instructions. Failure to follow the warnings and instructions may result in electric shock, fire and/or serious injury.

Save all warnings and instructions for future reference.

HAMMER SAFETY WARNINGS

1. **Wear ear protectors.** Exposure to noise can cause hearing loss.
2. **Use auxiliary handle(s), if supplied with the tool.** Loss of control can cause personal injury.
3. **Hold power tool by insulated gripping surfaces, when performing an operation where the cutting accessory may contact hidden wiring or its own cord.** Cutting accessory contacting a "live" wire may make exposed metal parts of the power tool "live" and could give the operator an electric shock.
4. **Wear a hard hat (safety helmet), safety glasses and/or face shield. Ordinary eye or sun glasses are NOT safety glasses. It is also highly recommended that you wear a dust mask and thickly padded gloves.**
5. **Be sure the bit is secured in place before operation.**
6. **Under normal operation, the tool is designed to produce vibration. The screws can come loose easily, causing a breakdown or accident. Check tightness of screws carefully before operation.**
7. **In cold weather or when the tool has not been used for a long time, let the tool warm up for a while by operating it under no load. This will loosen up the lubrication. Without proper warm-up, hammering operation is difficult.**
8. **Always be sure you have a firm footing. Be sure no one is below when using the tool in high locations.**
9. **Hold the tool firmly with both hands.**
10. **Keep hands away from moving parts.**
11. **Do not leave the tool running. Operate the tool only when hand-held.**
12. **Do not point the tool at any one in the area when operating. The bit could fly out and injure someone seriously.**
13. **Do not touch the bit or parts close to the bit immediately after operation; they may be extremely hot and could burn your skin.**
14. **Do not operate the tool at no-load unnecessarily.**
15. **Some material contains chemicals which may be toxic. Take caution to prevent dust inhalation and skin contact. Follow material supplier safety data.**

SAVE THESE INSTRUCTIONS.

⚠WARNING:

DO NOT let comfort or familiarity with product (gained from repeated use) replace strict adherence to safety rules for the subject product.

MISUSE or failure to follow the safety rules stated in

this instruction manual may cause serious personal injury.

FUNCTIONAL DESCRIPTION

⚠CAUTION:

- Always be sure that the tool is switched off and unplugged before adjusting or checking function on the tool.

Switch action

Fig.1

⚠CAUTION:

- Before plugging in the tool, always check to see that the tool is switched off.
- Switch can be locked in "ON" position for ease of operator comfort during extended use. Apply caution when locking tool in "ON" position and maintain firm grasp on tool.

To start the tool, push the switch lever "ON (I)" on the left side of the tool. To stop the tool, push the switch lever "OFF (O)" on the right side of the tool.

Speed change

Fig.2

The blows per minute can be adjusted just by turning the adjusting dial. This can be done even while the tool is running. The dial is marked 1 (lowest speed) to 5 (full speed).

Refer to the table below for the relationship between the number settings on the adjusting dial and the blows per minute.

Number on adjusting dial	Blows per minute
5	1,900
4	1,700
3	1,450
2	1,200
1	950

009956

⚠CAUTION:

- The speed adjusting dial can be turned only as far as 5 and back to 1. Do not force it past 5 or 1, or the speed adjusting function may no longer work.

For Model HM1213C only

NOTE:

- Blows at no load per minute becomes smaller than those on load in order to reduce vibration under no load, but this does not show trouble. Once operation starts with a bit against concrete, blows per minute increase and get to the numbers as shown in the table. When temperature is low and there is less fluidity in grease, the tool may not have this function even with the motor rotating.

Indicator lamp

Fig.3

The green power-ON indicator lamp lights up when the tool is plugged. If the indicator lamp does not light up, the mains cord or the controller may be malfunction. The indicator lamp is lit but the tool does not start even if the tool is switched on, the carbon brushes may be worn out, or the controller, the motor or the ON/OFF switch may be malfunction.

The red service indicator lamp flickers up when the carbon brushes are nearly worn out to indicate that the tool needs servicing. After approx. 8 hours of use, the motor will automatically be shut off.

ASSEMBLY

⚠CAUTION:

- Always be sure that the tool is switched off and unplugged before carrying out any work on the tool.

Side handle (auxiliary handle)

Fig.4

The side handle can be swung 360° on the vertical and secured at any desired position. It also secures at eight different positions back and forth on the horizontal. Just loosen the clamp nut to swing the side handle to a desired position. Then tighten the clamp nut securely.

The side handle also can be mounted in the rear groove. Loosen the clamp nut and widen the side handle base. Slide the side handle back to the rear groove and secure it with the clamp nut.

Installing or removing the bit

Fig.5

Clean the bit shank and apply bit grease before installing the bit.

Insert the bit into the tool. Turn the bit and push it in until it engages.

Fig.6

If the bit cannot be pushed in, remove the bit. Pull the releasing cover down a couple of times. Then insert the bit again. Turn the bit and push it in until it engages.

Fig.7

After installing, always make sure that the bit is securely held in place by trying to pull it out.

To remove the bit, pull the releasing cover down all the way and pull the bit out.

Fig.8

Bit angle

Fig.9

Fig.10

The bit can be secured at 12 different angles. To change the bit angle, slide the change ring forward, then turn the change ring to change the bit angle. At the desired angle, slide the change ring back to the original position. The bit will be secured in place.

NOTE:

- The change ring cannot turn when the bit is not installed on the tool.

OPERATION**Chipping/Scaling/Demolition****Fig.11**

Always use the side grip (auxiliary handle) and firmly hold the tool by both side grip and switch handle during operations. Turn the tool on and apply slight pressure on the tool so that the tool will not bounce around, uncontrolled. Pressing very hard on the tool will not increase the efficiency.

MAINTENANCE**⚠CAUTION:**

- Always be sure that the tool is switched off and unplugged before attempting to perform inspection or maintenance.
- Never use gasoline, benzine, thinner, alcohol or the like. Discoloration, deformation or cracks may result.

Lubrication**⚠CAUTION:**

- This servicing should be performed by Makita Authorized or Factory Service Centers only.

This tool requires no hourly or daily lubrication because it has a grease-packed lubrication system. However, it is recommended to periodically replace the grease for longer tool life.

Run the tool for several minutes to warm it up. Switch off and unplug the tool.

Loosen the six screws and remove the handle. Note that the top screws are different from other screws.

Fig.12

Disconnect the connector by pulling them.

Fig.13

Loosen the four screws on crank cap and remove the crank cap cover.

Fig.14

Wipe out the old grease inside and replace with a fresh grease (60 g). Use only Makita genuine hammer grease (optional accessory). Filling with more than the specified amount of grease (approx. 60 g) can cause faulty hammering action or tool failure. Fill only with the specified amount of grease.

Fig.15**⚠CAUTION:**

- Be careful not to damage the connector or lead wires especially when wiping out the old grease.

To reassemble the tool, follow the disassembling procedure in reverse.

⚠CAUTION:

- Do not tighten the crank cap excessively. It is made of resin and is subject to breakage.

Fig.16

Connect the connector firmly and then reinstall the handle.

⚠CAUTION:

- Be careful not to damage the connector or lead wires especially when installing the handle.

To maintain product SAFETY and RELIABILITY, repairs, carbon brush inspection and replacement, any other maintenance or adjustment should be performed by Makita Authorized Service Centers, always using Makita replacement parts.

ACCESSORIES**⚠CAUTION:**

- These accessories or attachments are recommended for use with your Makita tool specified in this manual. The use of any other accessories or attachments might present a risk of injury to persons. Only use accessory or attachment for its stated purpose.

If you need any assistance for more details regarding these accessories, ask your local Makita Service Center.

- Bull point(SDS-max)
- Cold chisel(SDS-max)
- Scaling chisel(SDS-max)
- Clay spade(SDS-max)
- Bit grease
- Safety goggles
- Hammer grease
- Plastic carrying case

SVENSKA (Originalbruksanvisning)

Förklaring till översiktsskilderna

1-1. Avtryckare	5-2. Smörjfett för borr	13-3. Svart
2-1. Justeringsratt	6-1. Frigöringsring	14-1. Skruvmejsel
3-1. Indikatorlampa ström PÅ (grön)	8-1. Frigöringsring	14-2. Vevhuslock
3-2. Indikatorlampa service (röd)	9-1. Ändringsring	15-1. Smörjolja
4-1. Sidohandtag	12-1. Skruvar	16-1. Kontakt
4-2. Låsmutter	13-1. Kontakt	16-2. Vit
5-1. Borrskaf	13-2. Vit	16-3. Svart

SPECIFIKATIONER

Modell	HM1213C	HM1203C
Slag per minut	950 - 1 900 min ⁻¹	
Längd	576 mm	
Vikt	10,8 kg	9,7 kg
Säkerhetsklass	II	

- På grund av vårt pågående program för forskning och utveckling kan dessa specifikationer ändras utan föregående meddelande.
- Obs! Specifikationerna kan variera mellan olika länder.
- Vikt i enlighet med EPTA-procedur 01/2003

Användningsområde

Verktöget är avsett för bearbetning av betong, tegel, sten och asfalt samt för borring och komprimering med passande tillbehör.

ENE045-1

Strömförsörjning

Maskinen får endast anslutas till elnät med samma spänning som anges på typplåten och med enfasig växelström. De är dubbelisolerade och får därför också anslutas i ojordade vägguttag.

ENF002-2

Buller

Typiska A-vägdade bullernivån är mätt enligt EN60745:

ENG905-1

Modell HM1213C

Ljudtrycksnivå (L_{pA}): 75 dB(A)
Ljudtrycksnivå (L_{WA}): 95 dB(A)
Måttolerans (K) : 2,53 dB(A)

Modell HM1203C

Ljudtrycksnivå (L_{pA}): 81 dB(A)
Ljudtrycksnivå (L_{WA}): 95 dB(A)
Måttolerans (K) : 2,1 dB(A)

Använd hörselskydd

ENG900-1

Vibration

Vibrationens totalvärde (tre-axlars vektorsumma) mätt enligt EN60745:

Modell HM1213C

Arbetsläge: mejslingsfunktion med sidohandtag
Vibrationsemission ($a_{h,CHeq}$): 7,0 m/s²
Måttolerans (K): 1,5 m/s²

Modell HM1203C

Arbetsläge: mejslingsfunktion med sidohandtag
Vibrationsemission ($a_{h,CHeq}$): 15,5 m/s²
Måttolerans (K): 1,5 m/s²

ENG901-1

- Det deklarerade vibrationsemissionsvärdet har uppmätts i enlighet med standardtestmetoden och kan användas för jämförandet av en maskin med en annan.
- Det deklarerade vibrationsemissionsvärdet kan också användas i preliminär bedömning av exponering för vibration.

⚠ VARNING!

- Vibrationsemissionen under faktisk användning av maskinen kan skilja sig från det deklarerade emissionsvärdet, beroende på hur maskinen används.
- Se till att hitta säkerhetsåtgärder som kan skydda användaren och som grundar sig på en uppskattning av exponering i verkligheten (ta med i beräkningen alla delar av användandet såsom antal gånger maskinen är avstängd och när den körs på tomgång samt då startomkopplaren

Gäller endast Europa**EU-konformitetsdeklaration**

Vi Makita Corporation som ansvariga tillverkare deklarerar att följande Makita-maskin(er):

Maskinbeteckning: Mejselhammare

Modellnr./-typ: HM1213C, HM1203C

Specifikationer: se tabellen "SPECIFIKATIONER".

är serieproduktionstillverkad och

Följer följande EU-direktiv:

2000/14/EU, 2006/42/EU

Och är tillverkad enligt följande standarder eller standardiseringsdokument:

EN60745

Den tekniska dokumentationen förs av vår auktoriserade representant i Europa som är:

Makita International Europe Ltd.

Michigan Drive, Tongwell,

Milton Keynes, Bucks MK15 8JD, England

Konformitetsgodkännandet som krävs av direktivet 2000/14/EG har utförts av Annex VIII.

Anmält organ:

TÜV Rheinland LGA Products GmbH

Tillystraße 2

D-90431 Nürnberg

Identifieringsnummer 0197

Modell HM1213C

Uppmätt ljudeffektnivå: 95dB (A)

Garanterad ljudeffektnivå: 97dB (A)

Modell HM1203C

Uppmätt ljudeffektnivå: 95dB (A)

Garanterad ljudeffektnivå: 98dB (A)

10.8.2010



Tomoyasu Kato

Direktör

Makita Corporation

3-11-8, Sumiyoshi-cho,

Anjo, Aichi, 446-8502, JAPAN

000230

GEA010-1

Allmänna säkerhetsvarningar för maskin

⚠ VARNING Läs igenom alla säkerhetsvarningar och instruktioner. Underlåtenhet att följa varningar och instruktioner kan leda till elektrisk stöt, brand och/eller allvarliga personskador.

Spara alla varningar och instruktioner för framtida referens.

SÄKERHETSVARNINGAR FÖR HAMMARE

1. **Använd hörselskydd.** Kraftigt buller kan orsaka hörselskador.
2. **Använd extrahandtag, om det levereras med maskinen.** Att tappa kontrollen över maskinen kan leda till personskador.
3. **Håll maskinen i de isolerade handtagen om det finns risk för att skärverktyget kan komma i kontakt med en dold elkabel eller sin egen kabel.** Om verktyget kommer i kontakt med en strömförande ledning blir maskinens metalldelar strömförande och kan ge operatören en elektrisk stöt.
4. **Använd en hård hjälm (skyddshjälm), skyddsglasögon och/eller ansiktsskydd.** Vanliga glasögon och solglasögon är INTE skyddsglasögon. Du bör också bära ett dammskydd och tjockt fodrade handskar.
5. **Se till att borret sitter säkert innan maskinen används.**
6. **Under normal användning vibrerar maskinen.** Skruvarna kan lätt lossna, vilket kan orsaka maskinhaveri eller en olycka. Kontrollera att skruvarna är åtdragna innan maskinen används.
7. **I kall väderlek eller när verktyget inte använts under en längre tid, bör du värma upp verktyget genom att använda det utan belastning.** På detta sätt tinar insmörjningen upp. Utan uppvärmning blir det svårt att använda hammaren.
8. **Se till att du hela tiden har ett säkert fotfäste.** Se till att ingen står under dig när maskinen används på hög höjd.
9. **Håll maskinen stadigt med båda händerna.**
10. **Håll händerna borta från rörliga delar.**
11. **Lämna inte maskinen igång.** Använd endast maskinen när du håller den i händerna.
12. **Rikta inte maskinen mot någon när den används.** Borret kan flyga ut och skada någon allvarligt.
13. **Rör inte vid borret eller närliggande delar efter användning, eftersom de kan vara extremt varma och orsaka brännskador.**
14. **Använd inte maskinen obelastad i onödan.**
15. **Vissa material kan innehålla giftiga kemikalier.** Se till att du inte andas in damm eller får det på huden. Följ anvisningarna i leverantörens materialsäkerhetsblad.

SPARA DESSA ANVISNINGAR.

⚠ VARNING!

GLÖM INTE att strikt följa säkerhetsanvisningarna för maskinen efter att du blivit van att använda den.

OVARSAM hantering eller underlåtenhet att följa säkerhetsanvisningarna i denna bruksanvisning kan leda till allvarliga personskador.

FUNKTIONSBESKRIVNING

⚠FÖRSIKTIGT!

- Se alltid till att maskinen är avstängd och nätsladden urdragen innan du justerar eller funktionskontrollerar maskinen.

Avtryckarens funktion

Fig.1

⚠FÖRSIKTIGT!

- Se alltid till att maskinen är avstängd innan du ansluter den till elnätet.
- Knappen kan låsas i läge "ON" för att underlätta användning när maskinen används under längre tid. Var försiktig när du låser maskinen i läge "ON", och fortsatt håll ett stadigt grepp i maskinen.

Tryck in knappen "ON (I)" på maskinens vänstra sida för att starta maskinen. Tryck in knappen "OFF (O)" på maskinens högra sida för att stanna maskinen.

Hastighetsändring

Fig.2

Slag per minut kan ställas in genom att vrida inställningsratten. Detta kan göras även när verktyget används. Ratten är markerad med 1 (lägsta hastighet) till 5 (full hastighet).

Se nedanstående tabellen för sambandet mellan sifferinställningen på inställningsratten och slag per minut.

Siffror på justeringsratt	Slag per minut
5	1 900
4	1 700
3	1 450
2	1 200
1	950

009956

⚠FÖRSIKTIGT!

- Ratten för hastighetsinställning kan endast vridas till 5 och tillbaka till 1. Tvinga den inte förbi 5 eller 1 eftersom hastighetsinställningen då kan sättas ur funktion.

Endast för modell HM1213C

Obs!

- Slag per minut utan belastning blir färre än vid belastning för att minska vibrationer när maskinen inte är under belastning. Detta betyder inte att det är något fel på maskinen. När maskinen väl börjar arbeta med ett bits mot betongen, ökar slagen per minut och när de siffror som visas i tabellen. När

temperaturen är låg och smörjoljan är trögflytande, kan det hända att maskinen inte har denna funktion även när motorn roterar.

Indikatorlampa

Fig.3

Den gröna indikatorlampan för ström (ON) tänds när maskinen ansluts till elnätet. Om indikatorlampan inte tänds, kan nätsladden eller avtryckaren vara defekt. Om indikatorlampan är tänd och maskinen inte startar även om maskinen är påslagen, kan kolborstarna vara utslitna eller så kan avtryckaren, motorn eller ON/OFF-knappen vara defekt.

Den röda indikatorlampan för service blinkar när kolborstarna nästan är utslitna för att indikera att maskinen behöver servas. Efter cirka 8 timmars användning kommer motorn automatiskt att slå av.

MONTERING

⚠FÖRSIKTIGT!

- Se alltid till att maskinen är avstängd och nätsladden urdragen innan maskinen repareras.

Sidohandtag (extrahandtag)

Fig.4

Sidohandtaget kan roteras 360° vertikalt och fästas i önskat läge. Det kan också fästas horisontellt i åtta olika lägen, bakåt och framåt. Lossa bara klämmuttern för att fritt svänga sidohandtaget till önskat läge. Dra därefter åt klämmuttern ordentligt igen.

Sidohandtaget kan också monteras i det bakre spåret. Lossa klämmuttern och vidga sidohandtagets platta. Skjut sidohandtaget bakåt till det bakre spåret och fäst det med klämmuttern.

Montering eller demontering av bits

Fig.5

Rengör borrarskapet och applicera smörjfett innan borret sätts i.

Sätt in borret i maskinen, vrid och skjut in det tills det fastnar.

Fig.6

Ta bort bitset om det inte går att trycka in det. Dra ner frigöringsringen ett par gånger. Sätt sedan in bitset igen. Vrid och skjut in det tills det fastnar.

Fig.7

Kontrollera alltid efter montering att borret sitter säkert på plats, genom att försöka dra ut det.

För att ta bort bitset ska frigöringsringen dras ner hela vägen och därefter kan bitset dras ut.

Fig.8

Vinkel för bits

Fig.9

Fig.10

Bitset kan fästas i 12 olika vinklar. För att ändra bitsets vinkel skjuter du ändringsringen framåt och vrid den därefter för att ändra bitsets vinkel. När vinkeln ställts in, skjut ändringsringen bakåt till sitt ursprungliga läge. Bitset kommer att fästas på plats.

OBS!

- Ändringsringen kan inte vridas när bitset inte finns monterat på verktyget.

ANVÄNDNING

Huggmejsling/gradmejsling/demolering

Fig.11

Använd alltid sidohandtaget (hjälp-handtaget) och håll maskinen stadigt med både sidohandtaget och pistolhandtaget under användningen. Starta maskinen och håll fast den så att den inte studsar omkring okontrollerat. Det är inte effektivare att trycka extremt hård på maskinen.

UNDERHÅLL

⚠FÖRSIKTIGT!

- Se alltid till att maskinen är avstängd och nätkabeln urdragen innan inspektion eller underhåll utförs.
- Använd inte bensin, thinner, alkohol eller liknande. Missfärgning, deformation eller sprickor kan uppstå

Smörjning

⚠FÖRSIKTIGT!

- Denna service skall endast utföras av ett auktoriserat Makita servicecenter.

Denna maskin kräver ingen daglig smörjning eftersom den har ett smörjsystem. Det rekommenderas dock att då och då byta ut smörjoljan för att förlänga maskinens livslängd.

Låt maskinen vara igång flera minuter för att värma upp det. Stäng först av maskinen och dra ur nätkabeln. Lossa de sex skruvarna och ta bort handtaget. Observera att skruvarna på toppen är annorlunda än de andra skruvarna.

Fig.12

Ta bort kontakten genom att dra ut den.

Fig.13

Lossa de fyra skruvarna på vevhuslocket och ta sedan bort skyddet.

Fig.14

Torka bort den gamla smörjoljan invändigt och ersätt med ny smörjolja (60 g). Använd endast genuin smörjolja för hammare från Makita (valfritt tillbehör). Påfyllning med mer än angiven mängd smörjolja (cirka 60 g) kan orsaka felaktig slagfunktion eller fel på maskinen. Fyll

endast på angiven mängd smörjolja.

Fig.15

⚠FÖRSIKTIGT!

- Var försiktig så att kontakten och ledningarna inte skadas, speciellt när den gamla smörjoljan torkas ur.

Följ nedmonteringsproceduren i omvänd ordning för att montera verktyget på nytt.

⚠FÖRSIKTIGT!

- Dra inte åt vevhuslocket för hårt. Den är gjord av harts och kan förstöras.

Fig.16

Anslut kontakten ordentligt och återmontera sedan handtaget.

⚠FÖRSIKTIGT!

- Var försiktig så att inte kontakten och ledningarna skadas, speciellt när handtaget monteras.

För att upprätthålla produktens SÄKERHET och TILLFÖRLITLIGHET bör reparationer, kontroll och utbyte av kolborstar samt allt annat underhålls- och justeringsarbete utföras av ett auktoriserat Makita servicecenter och med reservdelar från Makita.

TILLBEHÖR

⚠FÖRSIKTIGT!

- Dessa tillbehör och tillsatser rekommenderas för användning tillsammans med den Makita-maskin som denna bruksanvisning avser. Om andra tillbehör eller tillsatser används kan det uppstå risk för personsador. Använd endast tillbehören eller tillsatserna för de syften de är avsedda för.

Kontakta ditt lokala Makita servicecenter om du behöver ytterligare information om dessa tillbehör.

- Spetsmejsel(SDS-max)
- Spetsmejsel(SDS-max)
- Gradmejsel(SDS-max)
- Lerspade(SDS-max)
- Smörjfett för borr
- Skyddsglasögon
- Smörjolja till hammare
- Förvaringsväska av plast

NORSK (originalinstruksjoner)

Oversiktsforklaring

1-1. Av/på-bryter	5-2. Bitsfett	14-1. Skrutrekker
2-1. Innstillingshjul	6-1. Frigjøringsdeksel	14-2. Sveivhettedeksel
3-1. Indikatorlampe (grønn) for strøm ON (på)	8-1. Frigjøringsdeksel	15-1. Fett
3-2. Seviceindikatorlampe (rød)	9-1. Endringsring	16-1. Kontakt
4-1. Støttehåndtak	12-1. Skruer	16-2. Hvit
4-2. Klemmutter	13-1. Kontakt	16-3. Sort
5-1. Bitsskaft	13-2. Hvit	
	13-3. Sort	

TEKNISKE DATA

Modell	HM1213C	HM1203C
Slag per minutt	950 - 1 900 min ⁻¹	
Total lengde	576 mm	
Nettovekt	10,8 kg	9,7 kg
Sikkerhetsklasse	II	

• Som følge av vårt kontinuerlige forsknings- og utviklingsprogram kan de tekniske dataene endres uten ytterligere forvarsel.

• Merk: Tekniske data kan variere fra land til land.

• Vekt i henhold til EPTA-prosedyre 01/2003

ENE045-1

ENG900-1

Beregnet bruk

Verktøyet er beregnet på meiselarbeid i betong, murstein, stein og asfalt, samt på hamring og komprimering med passende tilbehør.

ENF002-2

Strømforsyning

Maskinen må bare kobles til en strømkilde med samme spenning som vist på typeskiltet, og kan bare brukes med enfase-vekselstrømforsyning. Den er dobbelt verneisoleret og kan derfor også brukes fra kontakter uten jording.

ENG905-1

Støy

Typisk A-vektet lydtryknivå er bestemt i henhold til EN60745:

Modell HM1213C

Lydtryknivå (L_{pA}): 75 dB(A)

Lydteffektnivå (L_{WA}): 95 dB(A)

Usikkerhet (K): 2,53 dB(A)

Modell HM1203C

Lydtryknivå (L_{pA}): 81 dB(A)

Lydteffektnivå (L_{WA}): 95 dB(A)

Usikkerhet (K): 2,1 dB(A)

Bruk hørselvern

Vibrasjon

Den totale vibrasjonsverdien (triaksial vektorsum) bestemt i henhold til EN60745:

Modell HM1213C

Arbeidsmåte: Meiselfunksjon med sidehåndtak

Genererte vibrasjoner ($a_{h, C_{Heq}}$): 7,0 m/s²

Usikkerhet (K): 1,5 m/s²

Modell HM1203C

Arbeidsmåte: Meiselfunksjon med sidehåndtak

Genererte vibrasjoner ($a_{h, C_{Heq}}$): 15,5 m/s²

Usikkerhet (K): 1,5 m/s²

ENG901-1

- Den angitte verdien for de genererte vibrasjonene er blitt målt i samsvar med standardtestmetoden og kan brukes til å sammenlikne et verktøy med et annet.
- Den angitte verdien for de genererte vibrasjonene kan også brukes til en foreløpig vurdering av eksponeringen.

ADVARSEL:

- De genererte vibrasjonene ved faktisk bruk av elektroverktøyet kan avvike fra den oppgitte vibrasjonsverdien, avhengig av hvordan verktøyet brukes.
- Vær påpasselig med å finne sikkerhetstiltak som beskytter operatøren, basert på en oppfatning av risiko under faktiske bruksforhold (på bakgrunn av alle sider ved brukssyklusen, som når verktøyet slås av og når det går på tomgang, i tillegg til

ENH213-6

Gjelder bare land i Europa**EF-samsvarserklæring****Som ansvarlig produsent erklærer Makita****Corporation at følgende Makita-maskin(er):**

Maskinbetegnelse: Borhammer

Modellnr./type: HM1213C, HM1203C

Tekniske data: Se tabellen "TEKNISKE DATA".

er av serieproduksjon og

samsvarer med følgende europeiske direktiver:

2000/14/EF, 2006/42/EF

og er produsert i samsvar med følgende standarder eller standardiserte dokumenter:

EN60745

Den tekniske dokumentasjonen oppbevares hos vår autoriserte representant i Europa, som er:

Makita International Europe Ltd.

Michigan Drive, Tongwell,

Milton Keynes, Bucks MK15 8JD, England

Samsvarsvurderingen som kreves av direktiv 2000/14/EF, er i henhold til vedlegg VIII.

Rapportinstans:

TÜV Rheinland LGA Products GmbH

Tillystraße 2

D-90431 Nürnberg

Identifikasjonsnr. 0197

Modell HM1213C

Målt lydeffektivnivå: 95dB (A)

Garantert lydeffektivnivå: 97dB (A)

Modell HM1203C

Målt lydeffektivnivå: 95dB (A)

Garantert lydeffektivnivå: 98dB (A)

10.8.2010



Tomoyasu Kato

Direktør

Makita Corporation

3-11-8, Sumiyoshi-cho,

Anjo, Aichi, 446-8502, JAPAN

000230

GEA010-1

Generelle advarsler angående sikkerhet for elektroverktøy**⚠ ADVARSEL Les alle sikkerhetsadvarslene og alle instruksjonene.** Hvis du ikke følger alle advarslene og instruksjonene som er oppført nedenfor, kan det føre til elektriske støt, brann og/eller alvorlige helseskader.**Oppbevar alle advarsler og instruksjoner for senere bruk.****SIKKERHETSANVISNINGER FOR BORHAMMER**

- Bruk hørselsvern.**Høy lyd kan forårsake redusert hørsel.
- Bruk hjelpehåndtak, hvis det (de) følger med maskinen.** Hvis maskinen kommer ut av kontroll, kan det resultere i helseskader.
- Hold maskinen i det isolerte håndtaket når skjæreverktøyet kan komme i kontakt med skjulte ledninger eller maskinens egen ledning under arbeidet.** Hvis skjæreverktøyet får kontakt med strømførende ledninger, vil uisolerte metalldele av maskinen bli strømførende og kunne gi brukeren elektrisk støt.
- Bruk hjelm, vernebriller og/eller ansiktsmaske.** Vanlige briller eller solbriller er **IKKE** vernebriller. Det anbefales også på det sterkeste å bruke støvmaske og kraftig polstrede hansker.
- Vær sikker på at meiselen er skikkelig festet før du starter maskinen.**
- Verktøyet er laget slik at det vil vibrere under vanlig bruk.** Skruene kan lett løsne, noe som kan forårsake et maskinsammenbrudd eller en ulykke. Før bruk må du derfor kontrollere grundig at skruene ikke er løse.
- I kaldt vær, eller når verktøyet ikke har vært i bruk på lenge, må du varme opp verktøyet ved å la det gå en stund uten belastning.** Dette vil myke opp smøremiddelet. Hvis maskinen ikke er skikkelig oppvarmet, vil det være vanskelig å bruke hammeren.
- Forviss deg alltid om at du har godt fotfeste.** Forviss deg om at ingen står under deg når du jobber høyt over bakken.
- Hold maskinen fast med begge hender.**
- Hold hendene unna bevegelige deler.**
- Ikke gå fra verktøyet mens det er i gang.** Verktøyet må bare brukes mens operatøren holder det i hendene.
- Ikke pek med verktøyet mot personer i nærheten mens det er i bruk.** Bitset kan fly ut og skade noen alvorlig.
- Ikke berør boret eller meiselen eller deler i nærheten av boret eller meiselen umiddelbart etter at maskinen har vært i bruk, da disse kan være ekstremt varme og kan gi brannskader.**
- Ikke bruk verktøyet uten belastning hvis det ikke er nødvendig.**
- Enkelte materialer inneholder kjemikalier som kan være giftige.** Treff tiltak for å hindre hudkontakt og innånding av støv. Følg leverandørens sikkerhetsanvisninger.

TA VARE PÅ DISSE INSTRUKSENE.

⚠ADVARSEL:

IKKE LA hensynet til hva som er "behagelig" eller det faktum at du kjenner produktet godt (etter mange gangers bruk) gjøre deg mindre oppmerksom på sikkerhetsreglene for bruken av det aktuelle produktet.

MISBRUK av verktøyet eller mislighold av sikkerhetsreglene i denne brukerhåndboken kan resultere i alvorlige helseskader.

FUNKSJONSBEKRIVELSE

⚠FORSIKTIG:

- Forviss deg alltid om at maskinen er slått av og støpselet trukket ut av kontakten før du justerer maskinen eller kontrollerer dens mekaniske funksjoner.

Bryterfunksjon

Fig.1

⚠FORSIKTIG:

- Før du setter støpselet inn i kontakten, må du alltid forvise deg om at verktøyet er slått av.
- Bryteren kan sperres i "ON"-stilling for å gjøre det lettere for operatøren ved langvarig bruk. Vær forsiktig når du sperrer verktøyet i "ON"-stilling, og hold det godt fast.

Start verktøyet ved å trykke på bryteren ON (I) på venstre side av verktøyet. Stopp verktøyet ved å trykke på bryteren OFF (O) på høyre side av verktøyet.

Turtallsending

Fig.2

Antall slag i minuttet kan justeres med justeringsskiven. Dette kan også gjøres mens maskinen går. Skiven er merket fra 1 (laveste hastighet) til 5 (topphastighet).

I tabellen under kan du se forholdet mellom tallinnstillingene på justeringsskiven og slag i minuttet.

Tall på justeringsskive	Slag per minutt
5	1 900
4	1 700
3	1 450
2	1 200
1	950

009956

⚠FORSIKTIG:

- Turtallinnstillingshjulet kan kun dreies til 5 og så tilbake til 1. Ikke prøv å dreie det forbi 5 eller 1, ellers kan det hende at turtallinnstillingen slutter å virke.

Kun for modell HM1213C

MERK:

- Slag per minutt ved ingen belastning, blir lavere enn ved belastning. Hensikten er å redusere vibrasjoner ved ingen belastning og det skyldes ikke feil. Når operasjonen starter, med en bit mot betong, øker antall slag per minutt og når da det antall som vises i tabellen. Ved lav temperatur og mindre flytende fett, er det ikke sikkert at verktøyet har denne funksjonen, selv om motoren går.

Indikatorlampe

Fig.3

Den grønne på-lampen tennes når maskinen kobles til et strømuttak. Hvis indikatorlampen ikke tennes, kan det være feil på strømledningen eller kontrolløren. Hvis indikatorlampen tennes uten at maskinen starter, selv om den er slått på, kan kullbørstene være slitt eller det kan være en defekt i kontrolløren, motoren eller på/av-bryteren.

Den røde servicelampen flimrer like før kullbørstene er utslitt og viser at verktøyet trenger service. Etter omtrent 8 timers bruk slås motoren av automatisk.

MONTERING

⚠FORSIKTIG:

- Forviss deg alltid om at maskinen er slått av og støpselet trukket ut av kontakten før du utfører noe arbeid på maskinen.

Støttehåndtak

Fig.4

Støttehåndtaket kan svinges 360° vertikalt og festes i hvilken som helst ønsket posisjon. Det kan også festes i åtte forskjellige posisjoner horisontalt. Løsne klemmutteren for å svinge støttehåndtaket til ønsket posisjon. Stram klemmutteren godt etterpå.

Støttehåndtaket kan også monteres i sporet bak. Løsne klemmutteren og vid ut støttehåndtakfestet. Skyv støttehåndtaket bakover til sporet og sikre det med klemmutteren.

Montere eller demontere bits

Fig.5

Rengjør meiselskafet og påfør fett før du monterer meiselen.

Sett inn meiselen i verktøyet. Vri og skyv på meiselen inntil den sitter.

Fig.6

Hvis bitset ikke kan skyves inn, må du ta det ut. Trekk frigjøringsdekslet ned noen ganger. Sett inn bitset igjen. Vri og skyv på bitset til det sitter.

Fig.7

Etter montering må du alltid forvise deg om at meiselen sitter godt ved å prøve å trekke den ut.

Trekk chuckdekslet helt tilbake for å trekke bitset helt ut.

Fig.8

Meiselvinkel

Fig.9

Fig.10

Meiselen kan festes i 12 forskjellige vinkler. For å endre vinkelen, må du skyve endringsringen forover og dreie på den. Når du når ønsket vinkel, skyver du endringsringen tilbake til utgangsposisjon. Meiselen er nå sikret på plass.

MERK:

- Endringsringen kan ikke dreies når meiselen ikke er montert på verktøyet.

BRUK

Meisling/avskalling/neddriving

Fig.11

Bruk alltid støttehåndtaket (hjelpehåndtaket) og hold maskinen støtt med både støttehåndtak og hovedhåndtak når du bruker den. Start verktøyet og legg lett trykk på det, slik at det ikke hopper ukontrollert rundt. Hardt press på verktøyet gjør det mindre effektivt.

VEDLIKEHOLD

⚠FORSIKTIG:

- Forviss deg alltid om at maskinen er slått av og støpselet trukket ut av kontakten før du foretar inspeksjon eller vedlikehold.
- Aldri bruk gasolin, bensin, tynner alkohol eller lignende. Det kan føre til misfarging, deformering eller sprekkdannelse.

Smøring

⚠FORSIKTIG:

- Denne servicen må bare gjøres av autoriserte Makita servicesentre.

Dette verktøyet må ikke smøres hver time eller hver dag, fordi det har et greasepakket smøresystem. Det anbefales imidlertid å skifte grease med jevne mellomrom, for å øke maskinens levetid.

Kjør verktøyet i flere minutter for å varme det opp. Slå av maskinen og trekk ut støpselet.

Løsne de seks skruene og ta av håndtaket. Merk deg at de øverste skruene er annerledes enn de andre skruene.

Fig.12

Koble fra kontakten ved å dra den ut.

Fig.13

Løsne de fire skruene på veivdekslet og fjern dekkplaten over veivdekslet.

Fig.14

Tørk ut det gamle smørefettet på innsiden og fyll på nytt smørefett (60 g). Bruk kun original Makita hammerfett (Makita hammer grease) (valgfritt tilbehør). Hvis du fyller på mer enn den anbefalte mengden (ca. 60 g) smørefett, kan det resultere i mangelfull meiselfunksjon eller verktøydefekter. Fyll kun på den anbefalte mengden smørefett.

Fig.15

⚠FORSIKTIG:

- Vær forsiktig så du ikke ødelegger pluggen eller lederne, særlig når du tørker ut den gamle greasen. Sett sammen maskinen igjen ved å følge demonteringsfremgangsmåten i motsatt rekkefølge.

⚠FORSIKTIG:

- Ikke fest veivdekslet for hardt. Det er laget av harpiks og kan brenne.

Fig.16

Koble til pluggen skikkelig og monter så håndtaket igjen.

⚠FORSIKTIG:

- Vær forsiktig så du ikke ødelegger pluggen eller lederne, særlig når du monterer håndtaket.

For å opprettholde produktets SIKKERHET og PÅLITELIGHET, må reparasjoner, inspeksjon og skifte av kullbørstene, vedlikehold og justeringer utføres av Makitas autoriserte servicesentre, og det må alltid brukes reservedeler fra Makita.

TILBEHØR

⚠FORSIKTIG:

- Det anbefales at du bruker dette tilbehøret eller verktøyet sammen med den Makita-maskinen som er spesifisert i denne håndboken. Bruk av annet tilbehør eller verktøy kan forårsake helseskader. Tilbehør og verktøy må kun brukes til det formålet det er beregnet på.

Ta kontakt med ditt lokale Makita-servicesenter hvis du trenger mer informasjon om dette tilbehøret.

- Piggmeisel (SDS-max)
- Flatmeisel (SDS-max)
- Bredmeisel (SDS-max)
- Slagmeisel (SDS-max)
- Meiselfett
- Vernebriller
- Hammerfett
- Verktøykoffert av plast

Yleiselostus

1-1. Kytkinvipu	5-2. Terärasva	13-3. Musta
2-1. Säättöpyörä	6-1. Vapautin	14-1. Ruuvitaltta
3-1. Tehon ON-merkkilamppu (vihreä)	8-1. Vapautin	14-2. Kammen kuvun suojus
3-2. Huoltomerkkilamppu (punainen)	9-1. Vaihtorengas	15-1. Rasva
4-1. Sivukahva	12-1. Ruuvit	16-1. Liitin
4-2. Puristusmutteri	13-1. Liitin	16-2. Valkoinen
5-1. Terän varsi	13-2. Valkoinen	16-3. Musta

TEKNISET TIEDOT

Malli	HM1213C	HM1203C
Lyöntiä minuutissa	950 - 1 900 min ⁻¹	
Kokonaispituus	576 mm	
Nettopaino	10,8 kg	9,7 kg
Turvaluokitus	II	

- Jatkuvan tutkimus- ja kehitysohjelman vuoksi pidätämme oikeuden muuttaa tässä mainittuja teknisiä ominaisuuksia ilman ennakoilmoitusta.
- Huomautus: Tekniset ominaisuudet saattavat vaihdella eri maissa.
- Paino EPTA-menetelmän 01/2003 mukaan

ENE045-1

ENG900-1

Käyttötarkoitus

Työkalu on tarkoitettu betonin, kiven, tiilen ja asfaltin piikkaamiseen sekä tiivistykseen ja junttaukseen oikeanlaisten lisävarusteiden kanssa.

ENF002-2

Tärinä

Värähtelyn kokonaisarvo (kolmiakselivektorin summa) on määritetty EN60745mukaan:

Malli HM1213C

Työtila : talttaustoiminta sivukahvalla
 Tärinäpäästö (a_{h,CHeq}) : 7,0 m/s²
 Epävakaas (K) : 1,5 m/s²

Malli HM1203C

Työtila : talttaustoiminta sivukahvalla
 Tärinäpäästö (a_{h,CHeq}) : 15,5 m/s²
 Epävakaas (K) : 1,5 m/s²

ENG901-1

- Ilmoitettu tärinäpäästöarvo on mitattu standarditestaustestimenetelmän mukaisesti, ja sen avulla voidaan vertailla työkaluja keskenään.
- Ilmoitettua tärinäpäästöarvoa voidaan käyttää myös altistumisen alustavaan arviointiin.

Melutaso

Tyypillinen A-painotettu melutaso määräytyy EN60745-standardin mukaan:

Malli HM1213C

Äänenpainetaso (L_{PA}): 75 dB(A)
 Äänen tehotaso (L_{WA}): 95 dB(A)
 Virhemarginaali (K): 2,53 dB(A)

Malli HM1203C

Äänenpainetaso (L_{PA}): 81 dB(A)
 Äänen tehotaso (L_{WA}): 95 dB(A)
 Virhemarginaali (K): 2,1 dB(A)

Käytä kuulosuojaimia

VAROITUS:

- Työkalun käytön aikana mitattu todellinen tärinäpäästöarvo voi poiketa ilmoitetusta tärinäpäästöarvosta työkalun käyttötavan mukaan.
- Selvitä käyttäjän suojaamiseksi tarvittavat varotoimet todellisissa käyttöolosuhteissa tapahtuvan arvioidun altistumisen mukaisesti (ottaen huomioon käyttöjako kokonaisuudessaan, myös jaksot, joiden aikana työkalu on sammutettuna tai käy tyhjäkäynnillä).

Koskee vain Euroopan maita

VAKUUTUS EC-VASTAAVUUDESTA

Vastuullinen valmistaja Makita Corporation ilmoittaa vastaavansa siitä, että seuraava(t) Makitan valmistama(t) kone(et):

Koneen tunnistetiedot: Murtovasara
Mallinro/tyyppi: HM1213C, HM1203C
Tekniset tiedot: ks. TEKNISET TIEDOT -taulukko.

ovat sarjavalmistaisia ja

täyttävät seuraavien eurooppalaisten direktiivien vaatimukset:

2000/14/EY, 2006/42/EY

ja että ne on valmistettu seuraavien standardien tai standardoitujen asiakirjojen mukaisesti:

EN60745

Teknisen dokumentaation ylläpidosta vastaa valtuutettu Euroopan-edustajamme, jonka yhteystiedot ovat:

Makita International Europe Ltd.
Michigan Drive, Tongwell,
Milton Keynes, Bucks MK15 8JD, England

Direktiivissä 2000/14/EY edellytetty vastaavuuden arviointitoimenpide suoritettiin liitteen VIII mukaisesti.

Ilmoitettu laitos:

TÜV Rheinland LGA Products GmbH
Tillystraße 2
D-90431 Nürnberg
Tunnistenumero 0197

Malli HM1213C

Mitattu äänitehotaso: 95dB (A)
Taattu äänitehotaso: 97dB (A)

Malli HM1203C

Mitattu äänitehotaso: 95dB (A)
Taattu äänitehotaso: 98dB (A)

10.8.2010



Tomoyasu Kato
Johtaja

Makita Corporation
3-11-8, Sumiyoshi-cho,
Anjo, Aichi, 446-8502, JAPAN

000230

GEA010-1

Sähkötyökalujen käyttöä koskevat varoitukset

⚠ VAROITUS Lue kaikki turvallisuusvaroitukset ja käyttöohjeet. Varoitusten ja ohjeiden noudattamatta jättäminen voi johtaa sähköiskuun, tulipaloon ja/tai vakavaan vammautumiseen.

Säilytä varoitukset ja ohjeet tulevaa käyttöä varten.

PORAVASARAN TURVALLISUUSOHJEET

- Pidä kuulosuojaimia.** Melulle altistuminen voi aiheuttaa kuulokyvyn heikentymistä.
- Käytä työkalun mukana mahdollisesti toimitettua lisäkahvaa tai -kahvoja.** Hallinnan menetyks voi aiheuttaa henkilövahinkoja.
- Pidä sähkötyökalua sen eristetyistä tartuntapinnoista silloin, kun on mahdollista, että sen terä saattaa osua piilossa oleviin johtoihin tai koneen omaan virtajohtoon.** Jos leikkaustyökalu joutuu kosketukseen jännitteisen johdon kanssa, jännite voi siirtyä työkalun sähköä johtaviin metalliosiin ja aiheuttaa käyttäjälle sähköiskun.
- Käytä kovaa päähinettä (suojakypärää), suojalaseja ja/tai kasvosuojusta.** Tavalliset silmä- tai aurinkolasit EIVÄT ole suojalaseja. Myös hengityssuojaimen ja paksujen käsineiden käyttö on suositeltavaa.
- Varmista ennen työskentelyn aloittamista, että terä on kiinnitetty tiukasti paikoilleen.**
- Laitte on suunniteltu siten, että se värisee normaalikäytössä.** Ruuvit voivat irrota hyvinkin helposti aiheuttaen laitteen rikkoutumisen tai onnettomuuden. Tarkista ruuvien kireys huolellisesti ennen kuin käytät laitetta.
- Jos ilma on kylmä tai konetta ei ole käytetty pitkään aikaan, anna sen lämmetä jonkin aikaa tyhjäkäynnillä.** Tämä tehostaa laitteen voitelua. Vasarointi voi olla hankalaa ilman asianmukaista esilämmitystä.
- Varmista aina, että seisot tukevasti.** Jos työskentelet korkealla, varmista, ettei ketään ole alapuolella.
- Pidä työkalua tiukasti molemmin käsin.**
- Pidä kädet poissa liikkuvien osien luota.**
- Älä jätä konetta käymään itsekseen.** Käytä laitetta vain silloin, kun pidät sitä kädessä.
- Älä osoita laitteella ketään, kun käytät sitä.** Terä saattaa lennähtää irti ja aiheuttaa vakavan loukkaantumisen.
- Älä kosketa terää tai sen lähellä olevia osia välittömästi käytön jälkeen, sillä ne voivat olla erittäin kuumia ja aiheuttaa palovammoja.**
- Älä käytä työkalua tarpeettomasti ilman kuormaa.**
- Jotkin materiaalit sisältävät kemikaaleja, jotka voivat olla myrkyllisiä.** Huolehdi siitä, että pölyn sisäänhengittäminen ja ihokosketus estetään. Noudata materiaalin toimittajan turvaohjeita.

SÄILYTÄ NÄMÄ OHJEET.

⚠VAROITUS:

ÄLÄ anna työkalun helppokäyttöisyyden tai toistuvan käytön tuudittaa sinua väärään turvallisuuteen tunteeeseen niin, että laiminlyöt työkalun turvaohjeiden noudattamisen.

VÄÄRINKÄYTTÖ tai tämän käyttöohjeen turvamääräysten laiminlyönti voi johtaa vakaviin henkilövahinkoihin.

TOIMINTOJEN KUVAUS

⚠HUOMIO:

- Varmista aina ennen koneen säätöjen ja toiminnallisten tarkistusten tekemistä, että kone on sammutettu ja irrotettu pistorasiasta.

Kytkimen käyttäminen

Kuva1

⚠HUOMIO:

- Ennen työkalun virtaan kytkemistä tarkista aina, että työkalu on pois päältä.
- Kytkimen voi lukita "ON" asentoon, jotta pitkäaikainen käyttö helpottuisi käyttäjälle. Ole varovainen, kun lukitset työkalun "ON" asentoon ja pidä työkalusta luja ote.

Käynnistä työkalu painamalla sen vasemmalla puolella olevaa "ON (I)" -kytkinvipua. Pysäytä työkalu painamalla sen oikealla puolella olevaa "OFF (O)" -kytkinvipua.

Nopeuden muuttaminen

Kuva2

Puhallukset minuutissa voidaan säätää säätöpyörää kiertämällä. Tämä voidaan tehdä myös työkalun ollessa käynnissä. Pyörä on merkitty 1:stä (matalin nopeus) 5:een (maksiminopeus).

Katso alhaalla olevaa taulukkoa säätöpyörän numeroasetusten ja puhalluksen minuutissa välisistä suhteista.

Säätöpyörän numero	Lyöntiä minuutissa
5	1 900
4	1 700
3	1 450
2	1 200
1	950

009956

⚠HUOMIO:

- Nopeussäädintä voi kääntää vain asentoon 5 tai asentoon 1 ja saakka. Älä pakota sitä asennon 5 tai 1 ohi, koska nopeudensäätötoiminto saattaa lakata toimimasta.

Vain malli HM1213C

HUOMAUTUS:

- Tyhjäkäyntitärinää vähennetään pienentämällä tyhjäkäynnin iskumäärä kuormituksen alaista iskumäärää pienemmäksi. Tästä ei ole haittaa. Kun työkalun käyttö aloitetaan painamalla sen terä betonin vasten, iskumäärä suurenee taulukon lukemia vastaavaksi. Tämä toiminto ei ehkä toteudu moottorin käymisestä huolimatta, jos lämpötila on kovin alhainen ja rasva on jäykkää.

Merkkivalo

Kuva3

Virran vihreä merkkivalo syttyy, kun työkalun virtajohto on kytketty. Jos merkkivalo ei syty, virtajohto tai ohjain saattaa olla viallinen. Jos merkkivalo palaa, mutta työkalu ei käynnisty kytkimen ollessa pohjassa, syynä voi olla hiiliharjojen kuluminen tai vika ohjaimessa, moottorissa tai ON/OFF-kytkimessä. Punainen huoltovalo syttyy palamaan ilmaisten huoltotarpeen, kun hiiliharjat ovat lähes loppuun kuluneet. Moottori sammuu automaattisesti noin 8 tunnin käytön jälkeen.

KOKOONPANO

⚠HUOMIO:

- Varmista aina ennen koneelle tehtäviä toimenpiteitä, että kone on sammutettu ja irrotettu pistorasiasta.

Sivukahva (apukahva)

Kuva4

Sivukahvan voi kiepauttaa 360° kohtisuoraan ja varmistaa se haluttuun asentoon. Sen voi myös varmistaa kahdeksaan eri asentoon vaakasuorassa edestakaisin. Löysennä vain kiristinmutteri ja keikauta sivukahva haluttuun asentoon. Kiristä sitten kiristysmutteri hyvin.

Sivukahvan voi myös asentaa takauraan. Löysää kiristysmutteri ja laajenna sivukahvan pohjaa. Liu'uta sivukahva takaisin takauraan ja varmista se kiinnitysmutterilla.

Terän kiinnitys ja irrotus

Kuva5

Puhdista terän varsi ja sivele vähän terärasvaa ennen terän kiinnittämistä.

Työnnä terä työkaluun. Käännä terää ja työnnä sitä, kunnes se kiinnittyy paikoilleen.

Kuva6

Jos terää ei voi työntää sisään, irrota se. Vedä vapautinta alaspäin muutaman kerran. Laita sitten terä takaisin paikoilleen. Käännä ja työnnä terää, kunnes se kiinnittyy paikoilleen.

Kuva7

Varmista aina, että terä on kunnolla kiinni yrittämällä vetää sitä irti.

Irrota terä painamalla vapautin täysin alas ja vetämällä terä irti.

Kuva8

Teräkulma

Kuva9

Kuva10

Terä voidaan kiinnittää 12 eri kulmaan. Vaihtaaksesi teräkulmaa, liu'uta vaihtorengasta eteenpäin, kierrä sitten vaihtorengasta vaihtaaksesi teräkulma. Halutun kulman saavuttaessa, liu'uta vaihtorengas takaisin alkuperäiseen asentoonsa. Terä lukkiutuu paikalleen.

HUOMAUTUS:

- Vaihtorengas ei käännä, kuin terä ei ole asennettu työkaluun.

TYÖSKENTELY

Piikkaus/Kuorinta/Purkutyo

Kuva11

Käytä aina sivukahvaa (apukahvaa) ja pitele työkalua käytön aikana sekä sivukahvasta että kytinkahvasta. Käynnistä työkalu ja paina sitä kevyesti niin, että se ei pompi hallitsemattomasti ympäriinsä. Työkalun voimakas painaminen ei lisää sen tehokkuutta.

KUNNOSSAPITO

△HUOMIO:

- Varmista aina ennen tarkastuksia ja huoltotöitä, että laite on kone on sammutettu ja irrotettu virtalähteestä.
- Älä koskaan käytä bensiiniä, ohentimia, alkoholia tai tms. aineita. Muutoin pinta voi halkeilla tai sen värit ja muoto voivat muuttua.

Voitelu

△HUOMIO:

- Tämä huoltotoimenpide tulisi suorittaa ainoastaan Makitan valtuutetussa tai tehtaan huoltopisteissä. Tämä työkalu ei vaadi tunnitista tai päivittäistä voitelua, koska siinä on rasvapakattu voitelujärjestelmä. Rasva on kuitenkin syytä vaihtaa säännöllisesti, jotta työkalun käyttöikä pitenee. Lämmitä kone ajamalla sitä usean minuutin ajan. Sammuta kone ja irrota se virtalähteestä. Löysennä kuusi ruuvia ja poista kahva. Huomioi, että yläruuvit ovat erilaisia kuin toiset ruuvit.

Kuva12

Kytke pistoke pois vetämällä niitä.

Kuva13

Löysää kampikammion kannessa olevat neljä ruuvia ja irrota kansi.

Kuva14

Pyyhi vanha rasva pois ja laita tilalle uutta rasvaa (60 g). Käytä vain aitoa Makita-vasararasvaa (vaihtoehtoinen lisävaruste). Jos rasvaa lisätään yli ilmoitetun määrän (noin 60 g), seurauksena voi olla virheellinen vasarointikäynti tai työkalun vioittuminen. Lisää vain ilmoitettu määrä rasvaa.

Kuva15

△HUOMIO:

- Ole varovainen ettet vahingoita liitintä tai lyijyjohtoja, varsinkin silloin, kun pyyhit vanhaa rasvaa pois. Kone kootaan purkua päinvastaisessa järjestyksessä.

△HUOMIO:

- Älä kiristä liikaa kampikupua. Se on tehty hartsista ja voi rikkoutua.

Kuva16

Kiinnitä liitin napakasti ja asenna kahva takaisin.

△HUOMIO:

- Ole varovainen ettet vahingoita liitintä tai lyijyjohtoja, varsinkin silloin, kun asennat kahvaa.

Tuotteen TURVALLISUUDEN ja LUOTETTAVUUDEN säilyttämiseksi Makitan valtuutetun huoltokeskuksen tulee suorittaa korjaukset, hiiliharjojen tarkastus ja vaihto, sekä muut huolto- tai säätötöet Makitan varaosia käyttäen.

LISÄVARUSTEET

△HUOMIO:

- Näitä lisävarusteita ja -laitteita suositellaan käytettäväksi tässä ohjekirjassa mainitun Makitan koneen kanssa. Minkä tahansa muun lisävarusteen tai -laitteen käyttäminen voi aiheuttaa loukkaantumisvaaran. Käytä lisävarusteita ja -laitteita vain niiden käyttötarkoituksen mukaisesti. Jos tarvitset apua tai yksityiskohtaisempia tietoja seuraavista lisävarusteista, ota yhteys paikalliseen Makitan huoltoon.

- Lattataltta(SDS-max)
- Kylmätalalta(SDS-max)
- Kuorimistalalta(SDS-max)
- Savilapio(SDS-max)
- Terärasva
- Suojalasis
- Vasararasva
- Muovinen kantolaukku

LATVIEŠU (oriģinālās instrukcijas)

Kopskata skaidrojums

1-1. Slēdzis	5-1. Uzgaļa kāts	13-3. Melnā krāsā
2-1. Regulēšanas ciparrīpa	5-2. Uzgaļu smērvielā	14-1. Skrūvngriezis
3-1. Indikatora lampiņa - barošana IESLĒGTA (zaļa)	6-1. Palaides aizsargs	14-2. Kļoķa vāciņa aizsargs
3-2. Eksploatācijas indikatora lampiņa (sarkana)	8-1. Palaides aizsargs	15-1. Smērvielā
4-1. Sānu rokturis	9-1. Maiņas gredzens	16-1. Savienotājs
4-2. Spītējuma uzgrieznis	12-1. Skrūves	16-2. Baltā krāsā
	13-1. Savienotājs	16-3. Melnā krāsā
	13-2. Baltā krāsā	

SPECIFIKĀCIJAS

Modelis	HM1213C	HM1203C
Triecieni minūtē	950 - 1 900 min ⁻¹	
Kopējais garums	576 mm	
Neto svars	10,8 kg	9,7 kg
Drošības klase	II	

- Dēļ mūsu nepārtrauktās pētniecības un izstrādes programmas, šeit dotās specifikācijas var mainīties bez brīdinājuma.
- Piezīme: Atkarība no valsts specifikācijas var atšķirties.
- Svārs atbilstoši EPTA-Procedure 01/2003

ENE045-1

Paredzētā lietošana

Šis darbarīks ir paredzēts kalšanai betonā, ķieģeļos, akmeņī un asfāltā, kā arī, izmantojot atbilstošus piederumus, skrūvēšanai un blīvēšanai.

ENF002-2

Strāvas padeve

Darbarīks jāpievieno tikai tādai strāvas padevei, kuras spriegums ir tāds pats, kā norādīts uz plāksnītes ar nosaukumu, un to var ekspluatēt tikai ar vienfāzes maiņstrāvas padevi. Darbarīks aprīkots ar divkārtšo izolāciju, tādēļ to var izmantot arī, pievienojot kontaktilgizdai bez iezemējuma vada.

ENG905-1

Troksnis

Tipiskais A-svērtais trokšņa līmenis ir noteikts saskaņā ar EN60745:

Modelis HM1213C

Skaņas spiediena līmenis (L_{pA}): 75 dB(A)

Skaņas jaudas līmenis (L_{WA}): 95 dB(A)

Mainīgums (K) : 2,53 dB(A)

Modelis HM1203C

Skaņas spiediena līmenis (L_{pA}): 81 dB(A)

Skaņas jaudas līmenis (L_{WA}): 95 dB(A)

Mainīgums (K) : 2,1 dB(A)

Lietojiet ausu aizsargus

ENG900-1

Vibrācija

Vibrācijas kopējā vērtība (trīs asu vektora summa) noteikta saskaņā ar EN60745:

Modelis HM1213C

Darba režīms : kalšanas režīms, izmantojot sānu rokturi

Vibrācijas izmešus ($a_{h,CHeg}$) : 7,0 m/s²

Nenoteiktību (K) : 1,5 m/s²

Modelis HM1203C

Darba režīms : kalšanas režīms, izmantojot sānu rokturi

Vibrācijas izmešus ($a_{h,CHeg}$) : 15,5 m/s²

Nenoteiktību (K) : 1,5 m/s²

ENG901-1

- Paziņotā vibrācijas emisijas vērtība noteikta atbilstoši standarta pārbaudes metodei un to var izmantot, lai salīdzinātu vienu darbarīku ar citu.
- Paziņoto vibrācijas emisijas vērtību arī var izmantot iedarbības sākotnējā novērtējumā.

BRĪDINĀJUMS:

- Reāli lietojot mehānizēto darbarīku, vibrācijas emisija var atšķirties no paziņotās emisijas vērtības atkarībā no darbarīka izmantošanas veida.
- Lai aizsargātu lietotāju, nosakiet drošības pasākumus, kas pamatoti ar iedarbību reālos darba apstākļos (ņemot vērā visus ekspluatācijas cikla posmus, piemēram, laiku, kamēr darbarīks ir izslēgts un kad darbojas tukšgaitā, kā arī palaides laiku).

Tikai Eiropas valstīm

EK Atbilstības deklarācija

Mēs, uzņēmums „Makita Corporation”, kā atbildīgs ražotājs paziņojam, ka sekojošais/-ie „Makita” darbarīks/-i:

Darbarīka nosaukums: Atskaldāmais āmurs
 Modeļa Nr./ tips: HM1213C, HM1203C
 Specifikācijas: skatīt tabulu „SPECIFIKĀCIJAS”.
 ir sērijveida izstrādājums un

atbilst sekojošām Eiropas Direktīvām:

2000/14/EK, 2006/42/EK

Un tas ražots saskaņā ar sekojošiem standartiem vai standartdokumentiem:

EN60745

Tehnisko dokumentāciju uztur mūsu pilnvarots pārstāvis Eiropā -

„Makita International Europe Ltd”
 Michigan Drive, Tongwell
 Milton Keynes, Bucks MK15 8JD, Anglija

Atbilstības novērtējuma procedūru, ko nosaka Direktīva 2000/14/EK, veica atbilstoši VIII pielikumam.

Pieteiktā iestāde:

TÜV Rheinland LGA Products GmbH
 Tillystraße 2
 D-90431 Nürnberg
 Identifikācijas numurs 0197

Modelis HM1213C

Novērtētais skaņas jaudas līmenis: 95dB (A)
 Garantētais skaņas jaudas līmenis: 97dB (A)

Modelis HM1203C

Novērtētais skaņas jaudas līmenis: 95dB (A)
 Garantētais skaņas jaudas līmenis: 98dB (A)

10.8.2010



000230

Tomoyasu Kato
 Direktors

Makita Corporation
 3-11-8, Sumiyoshi-cho,
 Anjo, Aichi, 446-8502, JAPAN

GEA010-1

Vispārējie mehanizēto darbarīku drošības brīdinājumi

⚠ BRĪDINĀJUMS Izlasiet visus drošības brīdinājumus un visus norādījumus. Brīdinājumu un norādījumu neievērošanas gadījumā var rasties elektriskās strāvas trieciens, ugunsgrēks un/vai nopietnas traumas.

Glabājiet visus brīdinājumus un norādījumus, lai varētu tajos ieskatīties turpmāk.

GEB004-6

ĀMURA DROŠĪBAS BRĪDINĀJUMI

- Izmantojiet ausu aizsargus.** Troksnis var izraisīt dzirdes zaudējumu.
- Izmantojiet ar darbarīku piegādātos papildu rokturus.** Kontroles zaudēšanas gadījumā var gūt ievainojumus.
- Veicot darbu, turiet mehanizēto darbarīku aiz izolētajām satveršanas virsmām, ja griešanas instruments varētu saskarties ar aplēptu elektroinstalāciju vai ar savu vadu.** Ja griešanas instruments saskarsies ar vadu, kurā ir strāva, visas darbarīka ārējās metāla virsmas vadīs strāvu un radīs elektriskās strāvas trieciena risku.
- Izmantojiet cietu cepuri (aizsargķiveri), aizsargbrilles un/vai sejas aizsargmasku. Parastās brilles vai saulesbrilles NAV aizsargbrilles.** Ļoti ieteicams izmantot arī putekļu masku un biežus, polsterētus cimdus.
- Pirms sākt darbu pārbaudiet, vai uzgalis ir nostiprināts savā vietā.**
- Ir paredzēts, ka normālas darbības laikā darbarīks rada vibrāciju.** Skrūves var viegli atskrūvēties, izraisot bojājumu vai negadījumu. Pirms sākt darbu uzmanīgi pārbaudiet, vai skrūves ir cieši pieskrūvētas.
- Aukstos laika apstākļos vai tad, ja darbarīku neesat izmantojis ilgu laiku, ļaujiet darbarīkam nedaudz iesilt, darbinot to bez slodzes.** Tas atvieglos darbarīka ieeļļošanu. Bez pienācīgas iesildīšanas, ir grūti veikt kalšanu.
- Nodrošiniet, lai jums vienmēr būtu labs atbalsts kājām.** Ja lietojat darbarīku augstumā, pārliecinieties, ka apakšā neviena nav.
- Stingri turiet darbarīku ar abām rokām.**
- Netuviniet rokas kustīgajām daļām.**
- Neatstājiet ieslēgtu darbarīku.** Darbiniet darbarīku vienīgi tad, ja turat to rokās.
- Darba laikā nevērsiet darbarīku pret tuvumā esošām personām.** Uzgalis var aizlidot un kādu smagi ievainot.
- Nepieskarieties uzgalim vai uzgaļa tuvumā esošajām daļām tūlīt pēc darba veikšanas; tie var būt ļoti karsti un var apdedzināt ādu.**
- Lieki nedarbiniet darbarīku bez slodzes.**
- Daži materiāli satur ķīmiskas vielas, kuras var būt toksiskas.** Izvairieties no putekļu ieeļļošanas un to nokļūšanas uz ādas. Ievērojiet materiāla piegādātāja drošības

datu.

SAGLABĀJIET ŠOS NORĀDĪJUMUS.

⚠BRĪDINĀJUMS:

NEZAUDĒJIET modrību darbarīka lietošanas laikā (tas var gadīties pēc darbarīka daudzkārtējas izmantošanas), rūpīgi ievērojiet urbšanas drošības noteikumus šim izstrādājumam.

NEPAREIZI LIETOJOT instrumentu vai neievērojot šajā lietošanas instrukcijā minētos drošības noteikumus, varat gūt nopietnus savainojumus.

FUNKCIJU APRAKSTS

⚠UZMANĪBU:

- Pirms regulējat vai pārbaudāt instrumenta darbību, vienmēr pārliecinieties, vai instruments ir izslēgts un atvienots no barošanas.

Slēdža darbība

Att.1

⚠UZMANĪBU:

- Pirms darbarīka pievienošanas barošanas avotam pārbaudiet, vai tas ir izslēgts.
- Slēdži var ieslēgt "ON" (ieslēgts) stāvoklī, lai atvieglotu operatora darbu ilgstoša darba laikā. Esiet uzmanīgi, ieslēdzot darbarīku "ON" (ieslēgts) stāvoklī, un turpiniet cieši turēt darbarīku.

Lai iedarbinātu darbarīku, nospiediet slēdža sviru „ON (I)” darbarīka kreisajā pusē. Lai apturētu darbarīku, nospiediet slēdža sviru „OFF (O)” darbarīka labajā pusē.

Ātruma regulēšana

Att.2

Triecienu skaitu minūtē var noregulēt, tikai pagriežot ātruma regulēšanas ciparripu. To iespējams paveikt pat tad, ja darbarīks darbojas. Uz ciparripas ir atzīmes no 1 (zemākais ātrums) līdz 5 (maksimālais ātrums).

Saistību starp cipara iestatījumu uz regulēšanas ciparripas un triecienu skaitu minūtē skatiet šai tabulā.

Cipars uz regulēšanas ciparripas	Triecienu minūtē
5	1 900
4	1 700
3	1 450
2	1 200
1	950

009956

⚠UZMANĪBU:

- Ātruma regulēšanas skala var tikt griezta tikai no 1 līdz 5. Nemēģiniet ar spēku no pagriezt tālāk, tā varat sabojāt instrumentu.

Tikai modelim HM1213C

PIEZĪME:

- Sitienu minūtē bez slodzes ir mazāk nekā ar slodzi, lai samazinātu vibrācijas bez slodzes, taču tas neliecina par problēmām. Tiklīdz sākas darbība un uzgalis pieskaras betonam, sitienu minūtē palielinās līdz skaitļiem, kas norādīti tabulā. Kad temperatūra ir zema un smērviela ir mazāk šķidra, darbarīkam var nebūt šī funkcija pat ar darbojošos motoru.

Indikatora lampiņa

Att.3

Zaļā indikatora lampiņa - barošana IESLĒGTA - iedegas, kad darbarīks ir pievienots barošanas avotam. Ja indikatora lampiņa neiedegas, var būt bojāts strāvas vads vai regulators. Ja indikatora lampiņa deg, taču darbarīks nesāk darboties, pat ja tas ir ieslēgts, var būt nolietojušās ogles sukas vai var būt bojāts regulators, dzinējs vai ON/OFF (ieslēgts/izslēgts) slēdzis.

Sarkanā ekspluatācijas indikatora lampiņa iedegas, kad ogles sukas ir gandrīz nolietojušās, un tā norāda, ka darbarīkam nepieciešama apkope. Pēc apmēram 8 ekspluatācijas stundām dzinējs automātiski izslēdzas.

MONTĀŽA

⚠UZMANĪBU:

- Vienmēr pārliecinieties, vai instruments ir izslēgts un atvienots no barošanas, pirms veicat jebkādas darbības ar instrumentu.

Sānu rokturis (palīgrokturis)

Att.4

Sānu rokturi var pagriezt par 360° pa vertikāli un nostiprināt jebkurā vēlamajā stāvoklī. To arī var nostiprināt astoņos dažādos stāvokļos uz priekšu un atpakaļ pa horizontāli. Lai pagrieztu sānu rokturi vēlamajā stāvoklī, vienkārši atskrūvējiet spīlējuma uzgriezni. Pēc tam cieši pieskrūvējiet spīlējuma uzgriezni.

Sānu rokturi var arī iemontēt aizmugurējā iedobumā. Atskrūvējiet spīlējuma uzgriezni un paplašiniet sānu roktura pamatni. Bīdīet sānu rokturi atpakaļ uz aizmugurējo iedobumu un nostipriniet to ar spīlējuma uzgriezni.

Uzgaļa uzstādīšana vai noņemšana

Att.5

Pirms uzgaļa uzstādīšanas notīriet uzgaļa kātu un ieeļļojiet to ar uzgaļu smērvielu.

Ievietojiet uzgali darbarīkā. Pagriežiet uzgali un iespiediet to iekšā, līdz tas nofiksējas.

Att.6

Ja uzgali nevar iespiest iekšā, izņemiet to. Pāris reizes pavelciet palaišanas aizsargu uz leju. Pēc tam vēlreiz

ievietojiet uzgali. Pagrieziet uzgali un iespiediet to iekšā, līdz tas nofiksējas.

Att.7

Pēc uzstādīšanas, mēģinot uzgali izvilkēt ārā, vienmēr pārliecinieties, vai tas stingri turas tam paredzētajā vietā. Lai izņemtu uzgali, pavelciet palaišanas aizsargu pilnībā uz leju un izvelciet uzgali.

Att.8

Uzgaļu leņķis

Att.9

Att.10

Uzgali iespējams nostiprināt 12 dažādos leņķos. Lai mainītu uzgaļa leņķi, bīdīet maiņas gredzenu uz priekšu, pēc tam to pagrieziet, lai izmainītu uzgaļa leņķi. Vajadzīgajā leņķī bīdīet maiņas gredzenu atpakaļ tā sākotnējā stāvoklī. Uzgālis tiks nostiprināts tam paredzētajā vietā.

PIEZĪME:

- Maiņas gredzenu nevar pagriezt, ja uzgālis nav uzstādīts darbarīkā.

EKSPLUATĀCIJA

Atšķelšana/materiālu noņemšana/atšaldīšana

Att.11

Darba laikā vienmēr izmantojiet sānu rokturi (pallgroskopu) un stingri turiet darbarīku aiz abiem sānu rokturiem un slēdža roktura. Ieslēdziet darbarīku un nedaudz uzspiediet uz tā, lai darbarīks nekontrolēti neatlektu. Darbarīka efektivitāte nepalielināsies, ja ļoti stingri spiedīsiet uz tā.

APKOPE

⚠UZMANĪBU:

- Pirms veicat pārbaudi vai apkopi vienmēr pārliecinieties, vai instruments ir izslēgts un atvienots no barošanas.
- Nekad neizmantojiet gāzoliņu, benzīnu, atšķaidītāju, spirtu vai līdzīgus šķidrumus. Tas var radīt izbalēšanu, deformāciju vai plaisas.

Eļļošana

⚠UZMANĪBU:

- Šī apkope ir jāveic tikai Makita pilnvarotiem vai rūpnīcas apkopes centriem.

Šis darbarīks nav jāēļļo katru stundu vai dienu, jo tas ir aprīkots ar smērvielu pieblīvētu eļļošanas sistēmu. Toties ir ieteicams periodiski nomainīt smērvielu, lai pagarinātu darbarīka kalpošanas termiņu.

Vairākas minūtes darbiniet darbarīku, lai to iesildītu. Izslēdziet un atvienojiet darbarīku no elektrotīkla. Atskrūvējiet sešas skrūves un noņemiet rokturi. Ievērojiet, ka augšējās skrūves atšķiras no citām skrūvēm.

Att.12

Atvienojiet savienotāju, tos pavelkot.

Att.13

Atskrūvējiet kloķa vāciņa četras skrūves un noņemiet kloķa vāciņa apvalku.

Att.14

Izslaukiet no iekšpuses veco smērvielu un uzpildiet jaunu smērvielu (60 g). Izmantojiet tikai Makita oriģinālo āmuru smērvielu (papildpiederums). Uzpildot vairāk par norādīto smērvielas daudzumu (apmēram 60 g), var rasties triecienurbšanas darbības traucējumi vai darbarīka var sabojāties. Uzpildiet tikai norādīto smērvielas daudzumu.

Att.15

⚠UZMANĪBU:

- Uzmanieties, lai nesabojātu savienotāju vai barošanas vadu, īpaši, izslaukot veco smērvielu.
- Lai izņemtu uzgali, izpildiet iepriekš aprakstīto uzstādīšanas procedūru apgrieztā secībā.

⚠UZMANĪBU:

- Nepieskrūvējiet kloķa vāciņu pārāk cieši. Tas ir veidots no kaučuka un var salūzt.

Att.16

Pievienojiet savienotāju un uzstādiet rokturi atpakaļ.

⚠UZMANĪBU:

- Uzmanieties, lai nesabojātu savienotāju vai barošanas vadu, īpaši, uzstādot rokturi.

Lai uzturētu izstrādājuma DROŠĪBU, remonts, oglekļa suku pārbaude un maiņa, jebkāda cita apkope vai regulēšana jāveic Makita pilnvarotiem apkopes centriem, vienmēr izmantojot Makita rezerves daļas.

PIEDERUMI

⚠UZMANĪBU:

- Šādi piederumi ir rīki tiek ieteikti lietošanai ar šajā pamācībā aprakstīto Makita instrumentu. Jebkādu citu piederumu un rīku izmantošana var radīt traumu briesmas. Piederumu vai rīku izmantojiet tikai tā paredzētajam mērķim.

Ja jums vajadzīga palīdzība vai precīzāka informācija par šiem piederumiem, vērsieties savā tuvākajā Makita apkopes centrā.

- Punkstītis (SDS-max)
- Metāla kalts (SDS-max)
- Materiālu noņemšanas kalts (SDS-max)
- Māla lāpsta (SDS-max)
- Uzgaļu smērviela
- Aizsargbrilles
- Āmuru smērviela
- Plastmasas pārnēsāšanas soma

LIETUVIŲ KALBA (Originali naudojimo instrukcija)

Bendrasis aprašymas

1-1. Jungiklio svirtis	5-1. Jungiamasis gražto galas	13-3. Juodas
2-1. Reguliavimo ratukas	5-2. Gražto tepalas	14-1. Atsuktuvas
3-1. Indikatoriaus lemputė, rodanti, kad įrankis veikia (žalia)	6-1. Atjungimo mechanizmo dangtelis	14-2. Skriejiko galvutės dangtelis
3-2. Techninio aptarnavimo priminimo indikatoriaus lemputė (raudona)	8-1. Atjungimo mechanizmo dangtelis	15-1. Tepalinė
4-1. Šoninė rankena	9-1. Keitimo žiedas	16-1. Jungtis
4-2. Suveržimo veržlė	12-1. Varžtai	16-2. Baltas
	13-1. Jungtis	16-3. Juodas
	13-2. Baltas	

SPECIFIKACIJOS

Modelis	HM1213C	HM1203C
Smūgiai per minutę	950 - 1 900 min ⁻¹	
Bendras ilgis	576 mm	
Neto svoris	10,8 kg	9,7 kg
Saugos klasė	II	

• Atliekame nepertraukiamus tyrimus ir nuolat tobuliname savo gaminius, todėl čia pateikiamos specifikacijos gali būti keičiamos be įspėjimo.

• Pastaba: įvairiose šalyse specifikacijos gali skirtis.

• Svoris pagal Europos elektrinių įrankių asociacijos nustatytą metodiką „EPTA -Procedure 01/2003“

ENE045-1

ENG900-1

Paskirtis

Šis įrankis skirtas kirtimo darbams betone, plytose, akmenyse ir asfalte, taip pat, naudojant reikiamus priedus, - kalimui ir tankinimui.

ENF002-2

Maitinimo šaltinis

Šį įrankį reikia jungti tik prie tokio maitinimo šaltinio, kurio įtampa atitinka nurodytą įrankio duomenų plokštelėje; galima naudoti tik vienfazį kintamosios srovės maitinimo šaltinį. Jie yra dvigubai izoliuoti, todėl gali būti naudojami prijungus prie elektros lizdų be atžeminimo laido.

ENG905-1

Triukšmas

Tipiškas A svertinis triukšmo lygis nustatytas pagal EN60745:

Modelis HM1213C

Garso slėgio lygis (L_{pA}): 75 dB(A)

Garso galios lygis (L_{WA}): 95 dB(A)

Paklaida (K) : 2,53 dB (A)

Modelis HM1203C

Garso slėgio lygis (L_{pA}): 81 dB(A)

Garso galios lygis (L_{WA}): 95 dB(A)

Paklaida (K) : 2,1 dB (A)

Dėvėkite ausų apsaugas

Vibracija

Vibracijos bendroji vertė (trijų ašių vektorinė suma) nustatyta pagal EN60745:

Modelis HM1213C

Darbo režimas: kirtimo funkcija, naudojant šoninę rankeną

Vibracijos emisija ($a_{h,ChEq}$): 7,0 m/s²

Paklaida (K): 1,5 m/s²

Modelis HM1203C

Darbo režimas: kirtimo funkcija, naudojant šoninę rankeną

Vibracijos emisija ($a_{h,ChEq}$): 15,5 m/s²

Paklaida (K): 1,5 m/s²

ENG901-1

- Paskelbtasis vibracijos emisijos dydis nustatytas pagal standartinį testavimo metodą ir jį galima naudoti vienam įrankiui palyginti su kitu.
- Paskelbtasis vibracijos emisijos dydis taip pat gali būti naudojamas preliminariai įvertinti vibracijos poveikį.

⚠️ISPĖJIMAS:

- Faktiškai naudojant elektrinį įrankį, keliamos vibracijos dydis gali skirtis nuo paskelbtojo dydžio, priklausomai nuo būdų, kuriais yra naudojamas šis įrankis.
- Siekiant apsaugoti operatorių, būtina įvertinkite saugos priemones, remdamiesi vibracijos poveikio įvertinimu esant faktinėms naudojimo sąlygoms

(atsižvelgdami į visas darbo ciklo dalis, pavyzdžiui, ne tik kiek laiko įrankis veikia, bet ir kiek kartų jis yra išjungiamas bei kai jis veikia be apkrovų).

ENH213-6

Tik Europos šalims

ES atitikties deklaracija

Mes, „Makita Corporation“ bendrovė, būdami atsakingas gamintojas, pareiškiame, kad šis „Makita“ mechanizmas(-ai):

Mechanizmo paskirtis: Atskėlimo plaktukas

Modelio Nr./ tipas: HM1213C, HM1203C

Techninės sąlygos: Žr. Lentelę „SPECIFIKACIJOS“.

prisklauso serijinei gamybai ir

atitinka šias Europos direktyvas:

2000/14/EB, 2006/42/EB

ir yra pagamintas pagal šiuos standartus arba normatyvinius dokumentus:

EN60745

Techninę dokumentaciją saugo mūsų įgaliojatis atstovas Europoje, kuris yra:

Makita International Europe Ltd.

Michigan Drive, Tongwell,

Milton Keynes, Bucks MK15 8JD, England (Anglija)

Atitikties įvertinimo procedūra, būtina pagal Tarybos Direktyvą 2000/14/EB, atlikta atsižvelgiant į VIII priedą.

Paskelbtoji įstaiga:

TÜV Rheinland LGA Products GmbH

Tillystraße 2

D-90431 Nürnberg

Identifikacijos numeris 0197

Modelis HM1213C

Nustatytasis garso galios lygis: 95dB (A)

Garantuotasis garso galios lygis: 97dB (A)

Modelis HM1203C

Nustatytasis garso galios lygis: 95dB (A)

Garantuotasis garso galios lygis: 98dB (A)

10.8.2010



Tomoyasu Kato

Direktorius

Makita Corporation

3-11-8, Sumiyoshi-cho,

Anjo, Aichi, 446-8502, JAPAN (Japonija)

000230

GEA010-1

Bendrieji perspėjimai darbui su elektriniais įrankiais

⚠ **ĮSPĖJIMAS** Perskaitykite visus saugos įspėjimus ir instrukcijas. Nesilaikydami žemiau pateiktų įspėjimų ir instrukcijų galite patirti elektros smūgi, gaisrą ir/arba sunkų sužeidimą.

Išsaugokite visus įspėjimus ir instrukcijas, kad galėtumėte jas peržiūrėti ateityje.

GEB004-6

SAUGOS ĮSPĖJIMAI DĖL SMŪGINIO GRAŽTO NAUDOJIMO

1. Naudokite klausos apsaugines priemones. Triukšmas gali pakenkti klausai.
2. Naudokite su įrankiu pridėtą išorinę rankeną (rankenas). Nesuvaldę įrankio galite susižeisti.
3. Atlikdami darbus, kurių metu pjovimo antgalis galėtų užkliudyti nematomą laidą arba savo paties laidą, laikykite elektrinius įrankius už izoliuotų paviršių. Pjovimo antgaliai prisilietus prie „gyvo“ laido, neizoliuotos metalinės elektrinio įrankio dalys gali sukelti elektros smūgį ir nutrenkti operatorių.
4. Užsidėkite kietą galvos apdangalą (apsauginį šalimą), apsauginius akinius ir (arba) veido skydelį. Įprastiniai akiniai ar akiniai nuo saulės NĖRA apsauginiai akiniai. Taip pat primygtinai rekomenduojama užsidėti kaukę, saugančią nuo dulkių, ir pirštines su storu pamušalu.
5. Prieš pradėdami dirbti įsitinkinkite, kad grąžtas tinkamai įtvirtintas.
6. Įprastai naudojant įrankį, jis vibruoja. Varžtai gali lengvai atsiskukti, o tai gali tapti gedimo arba nelaimingo atsitikimo priežastimi. Prieš pradėdami dirbti atidžiai patikrinkite, ar varžtai gerai priveržti.
7. Šaltu oru, arba jei įrankiu nesinaudojote ilgą laiką, leiskite įrankiui šiek tiek išilti naudodami jį be apkrovos. Tada tepalas suminkštės. Tinkamai neįšildžius įrankio, bus sunku kalti.
8. Visuomet stovėkite tvirtai. Įsitinkinkite, kad po jums nieko nėra, jei dirbate aukštai.
9. Laikykite įrankį tvirtai abiem rankomis.
10. Žiūrėkite, kad rankos būtų kuo toliau nuo judamųjų dalių.
11. Nepalikite veikiančio įrankio. Naudokite įrankį tik laikydami rankomis.
12. Dirbdami nenukreipkite veikiančio įrankio į žmones. Kalamasis grąžtas gali išlėkti ir ką nors sunkiai sužeisti.
13. Nelieskite grąžto arba šalia esančių dalių iškart po naudojimo; jie gali būti itin karšti ir nudeginti odą.
14. Be reikalo nenaudokite įrankio be apkrovos.
15. Kai kuriose medžiagose esama cheminių medžiagų, kurios gali būti nuodingos. Saugokitės, kad neįkvėptumėte dulkių ir nesiliestumėte oda. Laikykites medžiagų tiekėjo saugos duomenimis.

SAUGOKITE ŠIAS INSTRUKCIJAS.

Tik modeliui HM1213C

⚠️ SPĖJIMAS:

NELEISKITE, kad patogumas ir gaminio pažinimas (įgyjamas pakartotinai naudojant) susilpnintų griežtą saugos taisyklių, taikytinų šiam gaminiui, laikymąsi.

DĖI NETINKAMO NAUDOJIMO arba saugos taisyklių nesilaikymo, kurios pateiktos šioje instrukcijoje galima rimtai susižeisti.

VEIKIMO APRAŠYMAS

⚠️ DĖMESIO:

- Prieš reguliuodami įrenginį arba tikrindami jo veikimą visada patikrinkite, ar įrenginys išjungtas, o laido kištukas - ištrauktas iš elektros lizdo.

Jungiklio veikimas

Pav.1

⚠️ DĖMESIO:

- Prieš įjungdami įrankį į maitinimo tinklą, visuomet patikrinkite, ar jis išjungtas.
- Kai įrankis naudojamas ilgą laiko tarpą, operatoriaus patogumui jungiklį galima užfiksuoti „ON“ (Įjungta) padėtyje. Būkite atsargūs, užfiksuodami įrankį „ON“ padėtyje ir tvirtai laikykite įrankio rankeną.

Norėdami įjungti įrankį, spauskite kairiąją svirtinio mygtuko dalį „ON (I)“. Norėdami išjungti įrankį, spauskite dešiniąją svirtinio mygtuko dalį „OFF (O)“.

Greičio keitimas

Pav.2

Smūgius per minutę galima reguliuoti tiesiog sukant reguliavimo ratuką. Tai galima daryti ir įrankiui veikiant. Ratukas sužymėtas nuo 1 (mažiausias greitis) iki 5 (didžiausias greitis).

Toliau esančioje lentelėje pateiktas santykis tarp sunumeruotų ant reguliavimo ratuko esančių nustatymų ir smūgių per minutę.

Skaičiai ant reguliavimo ratuko	Smūgiai per minutę
5	1 900
4	1 700
3	1 450
2	1 200
1	950

009956

⚠️ DĖMESIO:

- Greičio reguliavimo diską galima sukuti tik iki 5 ir atgal iki 1. Nesukite jo toliau, nes gali sutrikti greičio reguliavimo funkcija.

PASTABA:

- Smūgiai per minutę įrankiui veikiant be apkrovos yra mažesni nei įrankiui veikiant su apkrova, kad įrankiui veikiant be apkrovos, vibracija būtų mažesnė - tai normalu ir nėra gedimas. Atrėmus antgalį į betoną ir pradėjus darbą, smūgiai per minutę padidėja ir pasiekia lentelėje pateiktus dydžius. Esant žemai temperatūrai ir mažesniai tepalo srautui, įrankis gali nevykdyti šios funkcijos net ir tada, kai variklis veikia.

Indikatoriaus lemputė

Pav.3

Žalia įjungtos energijos indikatoriaus lemputė užsidega, kai įrankis įjungiamas į elektros tinklą. Jeigu indikatoriaus lemputė neužsidega, gali būti nutrūkęs maitinimo laidas arba sugedęs reguliatorius. Indikatoriaus lemputė dega, bet įrankis neįsijungia net ir paspaudus įjungimo mygtuką; gali būti susidėvėję angliniai šepetėliai, perdegusi indukacinė lemputė, sugedęs variklis arba neveikia „ON/OFF“ (Įjungimo/išjungimo) jungiklis.

Raudona lemputė pradeda žybcioti tada, kai angliniai šepetėliai yra beveik susidėvėję, įspėdama, kad būtina atlikti techninį įrankio aptarnavimą. Po 8 valandų naudojimo motoras automatiškai išsijungs.

SURINKIMAS

⚠️ DĖMESIO:

- Prieš taisydami įrenginį visada patikrinkite, ar jis išjungtas, o laido kištukas - ištrauktas iš elektros lizdo.

Šoninė rankena (papildoma rankena)

Pav.4

Šią šoninę rankeną galima vertikaliai sukuti 360° kampui ir užtvirtinti bet kokiaje norimoje padėtyje. Be to, ją galima užfiksuoti aštuoniuose skirtinguose padėtyse, sukant horizontaliai pirmyn atgal. Tiesiog atlaisvinkite suveržimo veržlę ir pasukite šoninę rankeną į norimą padėtį. Po to tvirtai užveržkite suveržimo veržlę.

Šoninę rankeną galima sumontuoti ir galiniame griovelyje. Atlaisvinkite suveržimo veržlę ir praplėskite šoninės rankenos pagrindą. Įkiškite šoninės rankenos galą į galinį griovelį ir užtvirtinkite ją suveržimo veržle.

Grąžo įdėjimas ir išėmimas

Pav.5

Nuvalykite antgalio jungiamąjį galą ir, prieš įdėdami, patepkite jį tepalu.

Įkiškite antgalį į įrankį. Sukdami antgalį stumkite tol, kol jis užsifikuos.

Pav.6

Jeigu gražto įkišti negalite, ištraukite jį. Porą kartų patraukite už atjungimo mechanizmo gaubto. Po to vėl kiškite gražtą. Suktami gražtą stumkite tol, kol jis užsifiksuos.

Pav.7

Įdėję, visada patikrinkite, ar gražtas įdėtas tvirtai, pabandydami jį ištraukti.

Norėdami ištraukti gražtą, patraukite atjungimo mechanizmo gaubtą iki galo žemyn ir ištraukite gražtą.

Pav.8

Antgalio kampas

Pav.9

Pav.10

Antgalį gali užtvirtinti, pakreipus jį 12 skirtingų kampų. Norėdami pakeisti antgalio tvirtinimo kampą, pastumkite keitimo žiedą į priekį, po to sukite keitimo žiedą, norėdami pakeisti antgalio tvirtinimo kampą. Pareguliuavę norimą kampą, stumkite keitimo žiedą atgal į pradinę padėtį. Antgalis už užtvirtintas.

PASTABA:

- Keitimo žiedas nesisuka, jeigu antgalis įrankyje neįkištas.

NAUDOJIMAS

Skėlimas/ nuodegų šalinimas / ardymas

Pav.11

Darbo metu visada tvirtai laikykite įrankį už šoninės (papildoma rankena) ir pagrindinės rankenos. Įjunkite įrankį ir nesmarkiai spauskite, kad jis nešokinėtų nevaldomas. Jeigu įrankį spausite labai smarkiai, darbo našumas dėl to nepadidės.

TECHNINĖ PRIEŽIŪRA

⚠DĖMESIO:

- Prieš apžiūrėdami ar taisydami įrenginį visada patikrinkite, ar jis išjungtas, o laido kištukas - ištrauktas iš elektros lizdo.
- Niekada nenaudokite gazolino, benzino, tirpiklio, spirito arba panašių medžiagų. Gali atsirasti išblukimų, deformacijų arba įtrūkimų.

Tepimas

⚠DĖMESIO:

- Šį techninį aptamavimą turi atlikti tik firmos „Makita“ įgaliotasis techninės priežiūros centras.

Šio įrankio nereikia sutepti kas valandą arba kas dieną, nes jame yra tepiklio pripildyta tepimo sistema. Tačiau rekomenduojama periodiškai pakeisti tepiklį, kad įrankis ilgiau tarnautų.

Leiskite įrankiui paveikti keletą minučių, kad jis išiltų. Išjunkite įrankį ir ištraukite jo kištuką iš maitinimo lizdo.

Atsukite šešis varžtus ir nuimkite rankeną. Atkreipkite

dėmesį, kad viršutiniai varžtai skiriasi nuo kitų varžtų.

Pav.12

Jungtis atjungiamo ištraukiant.

Pav.13

Atlaisvinkite keturis varžtus, esančius ant skriejiko dangtelio, ir nuimkite skriejiko dangtelį.

Pav.14

Išvalykite viduje likusį seną tepalą ir pripilkite naujo (60 g). Naudokite tik autentišką „Makita“ gražtuvams skirtą tepalą (papildomas priedas). Pripylus didesnį tepalo kiekį, ne nurodyta, (maždaug 60 g), kalimo darbas gali būti netikslus arba gali sugesti įrankis. Pripilkite tik nurodytą tepalo kiekį.

Pav.15

⚠DĖMESIO:

- Būkite atsargūs, kad nepažeistumėte jungties arba laidų, ypač valydami seną tepalą arba montuodami rankeną.

Jei norite iš naujo surinkti įrankį, atlikite išardymo procedūrą atvirkščia tvarka.

⚠DĖMESIO:

- Per daug neperveržkite švaistiklio gaubtelio. Jis pagamintas iš plastiko ir gali sutrūkti.

Pav.16

Tvirtai prijunkite jungtį ir iš naujo sumontuokite rankeną.

⚠DĖMESIO:

- Būkite atsargūs, kad nepažeistumėte jungties arba laidų, ypač valydami seną tepalą arba montuodami rankeną.

Kad gaminy būtų SAUGUS ir PATIKIMAS, jį taisyti, apžiūrėti, keisti anglinius šepetėlius, atlikti techninės priežiūros darbus arba reguliuoti turi įgaliotasis kompanijos „Makita“ techninės priežiūros centras; reikia naudoti tikiai kompanijos „Makita“ pagamintas atsargines dalis.

PRIEDAI

⚠DĖMESIO:

- Su šiaime vadove aprašytu įrenginiu „Makita“ rekomenduojama naudoti tik nurodytus priedus ir papildomus įtaisus. Jeigu bus naudojami kitokie priedai ar papildomi įtaisai, gali būti sužaloti žmonės. Priedus arba papildomus įtaisus naudokite tik pagal paskirtį.

Jeigu norite daugiau sužinoti apie tuos priedus, kreipkitės į artimiausią „Makita“ techninės priežiūros centrą.

- „SDS-Max“ piramidinis kaltas
- „SDS-Max“ šaltkalvio kaltelis
- „SDS-Max“ nuodegų šalinimo kirstukas
- „SDS-Max“ molio kustuvėlis
- Gražto antgalio tepalas
- Apsauginiai akiniai
- Kūjo tepalas
- Plastikinis dėklas

EESTI (algsed juhised)

Üldvaate selgitus

1-1. Lülitü päästik	5-2. Puurimääre	13-3. Must
2-1. Regulaatorketas	6-1. Vabastuskate	14-1. Kruvikeeraja
3-1. Toite märgutuli (roheline)	8-1. Vabastuskate	14-2. Karteri korgi kate
3-2. Hoolduse märgutuli (punane)	9-1. Muuterõngas	15-1. Määrdeaine
4-1. Külgakäepide	12-1. Kruvid	16-1. Liitmik
4-2. Fiksaatormutter	13-1. Liitmik	16-2. Valge
5-1. Otsaku vars	13-2. Valge	16-3. Must

TEHNILISED ANDMED

Mudel	HM1213C	HM1203C
Löövide arv minutis	950 - 1 900 min ⁻¹	
Kogupikkus	576 mm	
Netomass	10,8 kg	9,7 kg
Kaitseklass	II	

- Meie jätkuva teadus- ja arendustegevuse programmi tõttu võidakse siin antud tehnilisi andmeid muuta ilma ette teatamata.
- Märkus: Tehnilised andmed võivad olla riigiti erinevad.
- Kaal vastavalt EPTA protseduurile 01/2003

ENE045-1

ENG900-1

Ettenähtud kasutamine

Tööriist on ette nähtud meiseldustööde teostamiseks betoonis, tellistes, kivis ja asfaldis, samuti ka kinnitustahvrite paigaldamiseks koos sobivate tarvikute kasutamisega.

ENF002-2

Toiteallikas

Seadet võib ühendada ainult andmesildil näidatud pingele vastava pingega toiteallikaga ning seda saab kasutada ainult ühefaasilisel vahelduvvoolutoitel. Seadmel on kahekordne isolatsioon ning seega võib seda kasutada ka ilma maandusjuhtmeta pistikupessa ühendatult.

ENG905-1

Müra

Tüüpiline A-korrigeeritud müratase vastavalt EN60745:

Mudel HM1213C

Helirõhu tase (L_{pA}): 75 dB(A)
Helisurve tase (L_{WA}): 95 dB(A)
Määramatus (K): 2,53 dB(A)

Mudel HM1203C

Helirõhu tase (L_{pA}): 81 dB(A)
Helisurve tase (L_{WA}): 95 dB(A)
Määramatus (K): 2,1 dB(A)

Kandke kõrvakaitsmeid

Vibratsioon

Vibratsiooni koguväärtus (kolmeteljeliste vektorite summa) määratud vastavalt EN60745:

Mudel HM1213C

Töörežiim: meiseldusfunktsioon külgakäepidet kasutades
Vibratsiooni emissioon ($a_{h,CHeq}$): 7,0 m/s²
Määramatus (K): 1,5 m/s²

Mudel HM1203C

Töörežiim: meiseldusfunktsioon külgakäepidet kasutades
Vibratsiooni emissioon ($a_{h,CHeq}$): 15,5 m/s²
Määramatus (K): 1,5 m/s²

ENG901-1

- Deklareeritud vibratsiooniemissiooni väärtus on mõõdetud kooskõlas standardse testimismeetodiga ning seda võib kasutada ühe seadme võrdlemiseks teisega.
- Deklareeritud vibratsiooniemissiooni väärtust võib kasutada ka mürataseme esmaseks hindamiseks.

⚠ HOIATUS:

- Vibratsioonitase võib elektritööriista tegelikkuses kasutamise ajal erineda deklareeritud väärtusest sõltuvalt tööriista kasutamise viisidest.
- Rakendage kindlasti operaatori kaitsmiseks piisavaid ohutusabinõusid, mis põhinevad hinnangulisel müratasemel tegelikus tööolukorras (võttes arvesse tööperioodi kõik osad nagu näiteks korrad, mil seade lülitatakse välja ja mil seade töötab tühikäigul, lisaks tööajale).

Ainult Euroopa riigid**EÜ vastavusdeklaratsioon****Makita korporatsiooni vastutava tootjana kinnitame, et alljärgnev(ad) Makita masin(ad):**

Masina tähistus: Lammutusvasar

Mudeli Nr/ Tüüp: HM1213C, HM1203C

Tehnilised andmed: vt tabel „TEHNILISED ANDMED“.

on seeriatoodang ja

vastavad alljärgnevatele Euroopa Parlamendi ja nõukogu direktiividele:

2000/14/EÜ, 2006/42/EÜ

ning on toodetud vastavalt alljärgnevatele standarditele või standardiseeritud dokumentidele:

EN60745

Tehnilist dokumentatsiooni hoitakse meie volitatud esindaja käes Euroopas, kelleks on:

Makita International Europe Ltd.

Michigan Drive, Tongwell,

Milton Keynes, Bucks MK15 8JD, Inglismaa

Vastavuse hindamise protseduur vastavalt direktiivile 2000/14/EÜ oli kooskõlas lisaga VIII.

Informeeritud organ:

TÜV Rheinland LGA Products GmbH

Tillystraße 2

D-90431 Nürnberg

Identifitseerimisnumber 0197

Mudel HM1213C

Mõõdetud müratugevuse tase: 95dB (A)

Garanteeritud müratugevuse tase: 97dB (A)

Mudel HM1203C

Mõõdetud müratugevuse tase: 95dB (A)

Garanteeritud müratugevuse tase: 98dB (A)

10.8.2010



Tomoyasu Kato

Direktor

Makita Corporation

3-11-8, Sumiyoshi-cho,

Anjo, Aichi, 446-8502, JAAPAN

000230

GEA010-1

Üldised elektritööriistade ohutusohiatused

⚠ HOIATUS Lugege läbi kõik ohutusohiatused ja juhised. Hoiatuste ja juhiste mittejärgmine võib põhjustada elektrišokki, tulekahju ja/või tõsiseid vigastusi.

Hoidke alles kõik hoiatused ja juhised edaspidisteks viideteks.

VASARA OHUTUSNÕUDED

- Kandke kuulmiskaitseid.** Müra võib põhjustada kuulmiskadu.
- Kasutage lisakäepidet/pidemeid, kui need on tööriistadega kaasas.** Kontrolli puudumine võib põhjustada inimestele vigastusi.
- Hoidke elektritööriistu isoleeritud haardepindadest, kui töötate kohas, kus lõiketera võib sattuda kokkupuutesse varjatud juhtmete ja seadme enda toitejuhtmega.** Pingestatud juhtmega kokkupuutesse sattunud lõiketera võib pingestada elektritööriista metallosi, mille tagajärjel võib seadme kasutaja saada elektrilöögi.
- Kandke tugevat peakatet (kaitsekiiver), kaitseprille ja/või näokatet.** Tavalised prillid või päikesepriidid EI OLE kaitseprillid. Eriti soovitatakse kanda ka tolmumaski ja paksult polsterdatud kindaid.
- Enne toimingu teostamist veenduge, et lõikeotsik on kindlalt kinnitatud.**
- Reeglipärasel töötamisel on ette nähtud, et tööriist tekitab vibratsiooni.** Kruvid võivad hõlpsasti logisema hakata, põhjustades purunemise või õnnetuse. Enne toimingu teostamist kontrollige hoolikalt kruvide pingutatust.
- Külma ilmaga või siis, kui tööriista ei ole kaua aega kasutatud, laske tööriistal mõnda aega soojeneda, kaitades seda ilma koormuseta.** See vabastab õlitamise. Ilma õige soojenemiseta on löökrežiimil töötamine raskendatud.
- Veenduge alati, et omaksite kindlat toetuspinda.** Kui töötate kõrguses, siis jälgige, et teist allpool ei viibiks inimesi.
- Hoidke tööriista kindlalt kahe käega.**
- Hoidke käed liikuvatest osadest eemal.**
- Ärge jätke tööriista käima. Käivitage tööriist ainult siis, kui hoiate seda käes.**
- Ärge suunake töötavat tööriista töötamispiirkonnas viibijatele.** Lõikeotsik võib välja lennata ja kedagi tõsiselt vigastada.
- Ärge puudutage lõikeotsikut ega selle läheduses paiknevaid osi vahetult pärast tööoperatsiooni teostamist; need võivad olla väga kuumad ja põhjustada põletushaavu.**
- Ärge käitage tööriista tarbetult koormamata olekus.**
- Mõned materjalid võivad sisaldada mürgiseid aineid.** Rakendage meetmeid tolmu sissehingamise ja nahaga kokkupuute vältimiseks. Järgige materjali tarnija ohutusosalast teavet.

HOIDKE JUHEND ALLES.

△HOIATUS:

ÄRGE laske mugavusel või toote kasutamisharjumustel (mis on saadud korduva kasutuse jooksul) asendada vankumatut toote ohutuseeskirjade järgimist.

VALE KASUTUS või käesoleva kasutusjuhendi ohutusnõuete eiramine võib põhjustada tõsisel vigastusi.

FUNKTSIONAALNE KIRJELDUS

△HOIATUS:

- Kandke alati hoolt selle eest, et tööriist oleks enne reguleerimist ja kontrollimist välja lülitatud ja vooluvõrgust lahti ühendatud.

Lüliti funktsioneerimine

Joon.1

△HOIATUS:

- Kontrollige alati enne tööriista vooluvõrku ühendamist, kas tööriist on välja lülitatud.
- Pikemaajalisel kasutamisel saab lüliti operaatori mugavuse huvides lukustada sisselülitatud asendisse. Tööriista lukustamisel sisselülitatud asendisse olge ettevaatlik ja hoidke tööriista kindlas haardes.

Tööriista käivitamiseks lükake tööriista vasakul pool asetsev lülituskang asendisse "ON (I)" (SISSE). Tööriista seiskamiseks lükake tööriista paremal pool asetsev lülituskang asendisse "OFF (O)" (VÄLJA).

Kiiruse muutmine

Joon.2

Löökide arvu minuti kohta saab reguleerida regulaatorketast keerates. Seda saab teha isegi siis, kui tööriist töötab. Kettal on märgised 1-st (madalaim kiirus) 5-ni (täiskiirus).

Regulaatorkettal olevad numbrid ja löökide arv minutis on seotud nii, nagu kirjas alltoodud tabelis.

Regulaatorkettal olev number	Löökide arv minutis
5	1 900
4	1 700
3	1 450
2	1 200
1	950

009956

△HOIATUS:

- Kiiruseregulaatorit saab keerata ainult numbrini 5 ja tagasi numbrini 1. Ärge kiiruseregulaatorit jõuga üle 5 või 1 keerata püüdke, sest vastasel korral ei pruugi kiiruse reguleerimise funktsioon enam töötada.

Ainult mudelile HM1213C

MÄRKUS:

- Löökide arv minutis koormamata olekus on väiksem kui koormatud olekus, et vähendada vibratsiooni koormamata olekus ja ei viita probleemile. Kui kasutamisel suruda otsak vastu tsementpinda, siis löökide arv minutis suureneb ja saavutab tabelis esitatud väärtuse. Kui temperatuur on madal ja määrdeaine ei ole vedel, võib tööriistal nimetatud funktsioon puududa isegi kui mootor pöörleb.

Märgutuli

Joon.3

Tööriista ühendamisel vooluvõrku süttib roheline toite märgutuli. Kui märgutuli ei sütti põlema, on rike juhtmes või kontrollieris. Kui märgutuli süttib põlema, aga tööriist ei käivitu sisselülitamisel, on süsinikharjad või kontrollier kulunud, mootor või ON/OFF (SISSE/VÄLJA) lüliti on rikkis.

Punane märgutuli hakkab vilkuma, kui süsinikharjad on kulunud ja tööriist vajab hooldamist. After approx. Pärast umbes 8-tunnist kasutamist lülitub mootor automaatselt välja.

KOKKUPANEK

△HOIATUS:

- Kandke alati enne tööriistal mingite tööde teostamist hoolt selle eest, et see oleks välja lülitatud ja vooluvõrgust lahti ühendatud.

Külgakäepide (abipide)

Joon.4

Külgakäepidet saab vertikaalsuunas 360° ulatuses keerata ja fikseerida mistahes soovitud asendisse. Samuti saab seda horisontaalsuunas (ette- ja tahapoole) kaheksasse asendisse fikseerida. Külgakäepideme soovitud asendisse pööramiseks keerake lihtsalt fiksaatormutter lahti. Seejärel keerake fiksaatormutter korralikult kinni.

Külgakäepideme saab paigaldada ka tagumisse soonde. Lõdvendage fiksaatormutter ja laiendage külgakäepideme alust. Nihutage külgakäepide tagasi tagumisse soonde ja fikseerige see fiksaatormutriga.

Otsaku paigaldamine või eemaldamine

Joon.5

Enne paigaldamist puhastage otsaku vars ja kandke sellele puurimääret.

Pange otsak tööriista sisse. Keerake ja suruge otsakut, kuni see fikseerub.

Joon.6

Kui otsakut ei õnnestu sisse suruda, siis eemaldage see. Tõmmake vabastuskatet paar korda allapoole. Seejärel

pange otsak uuesti sisse. Keerake ja suruge otsakut, kuni see fikseerub.

Joon.7

Pärast paigaldamist veenduge alati, et otsak on kindlalt paigas, proovides seda välja tõmmata.

Otsaku eemaldamiseks tõmmake vabastuskate lõpuni alla ja tõmmake otsak välja.

Joon.8

Otsaku nurk

Joon.9

Joon.10

Otsaku saab fikseerida 12 erineva nurga alla. Otsaku nurga muutmiseks libistage muuterõngas ette, seejärel muutke muuterõngast pöörates otsaku nurka. Kui otsak on soovitud nurga all, lükake muuterõngas tagasi algasendisse. Otsak on kohale fikseeritud.

MÄRKUS:

- Kui otsak ei ole tööriista külge paigaldatud, ei saa muuterõngast keerata.

TÖÖRIISTA KASUTAMINE

Täksimine / pealiskihi eemaldamine / lammutustööd

Joon.11

Kasutage alati külgkäepidet (abikäepide) ning hoidke tööriista töö ajal kindlalt nii külgkäepidemest kui lülitiga käepidemest. Lülitage tööriist sisse ja avaldage sellele kergert survet, et tööriist ei pörkuks kontrollimatult tagasi. Liiga suur surve tööriistale ei muuda tööd tõhusamaks.

HOOLDUS

△HOIATUS:

- Kandke alati enne kontroll- või hooldustoimingute teostamist hoolt selle eest, et tööriist oleks välja lülitatud ja vooluvõrgust lahti ühendatud.
- Ärge kunagi kasutage benssiini, vedeldit, alkoholi ega midagi muud sarnast. Selle tulemuseks võib olla liitumine, deformatsioon või pragunemine.

Õlitamine

△HOIATUS:

- Seda tööd peaks teostama ainult volitatud Makita teeninduskeskus või tehase teeninduskeskus.

See tööriist ei nõua igapäevast või tunni aja tagust määrimist, kuna see on varustatud määrdesüsteemiga. Kuid tööriista kasutusea pikendamiseks on soovitatav määret regulaarselt vahetada.

Laske tööriistal soojenemiseks mõned minutid töötada. Lülitage tööriist välja ja lahutage vooluvõrgust. Keerake lahti kuus kruvi ja eemaldage käepide. Pange tähele, et ülemised kruvid erinevad teistest kruvidest.

Joon.12

Ühendage liitmik lahti, tõmmates seda.

Joon.13

Keerake lahti neli võlli otsaku kruvi ja eemaldage võlli otsaku kate.

Joon.14

Pühkige vana määre seest ära ja lisage värsket määret (60 g). Kasutage ainult ehtsat Makita vasaramääret (lisatarvik). Lubatud (ligikaudu 60 g) suurema koguse määre kasutamine võib põhjustada vale haamritööd või tööriista rikkeid. Kasutage täitmisel määret ainult ettenähtud koguses.

Joon.15

△HOIATUS:

- Olge ettevaatlik, et mitte vigastada liitmikku või voolujuhtmeid, eriti kasutatud määre eemaldamisel.

Tööriista kokku panemiseks järgige paigaldamise protseduuri vastupidises järjekorras.

△HOIATUS:

- Ärge keerake karteri korki liiga tugevasti kinni. See on valmistatud vaigust ning võib puruneda.

Joon.16

Ühendage liitmik ja seejärel paigaldage käepide tagasi.

△HOIATUS:

- Olge ettevaatlik, et mitte vigastada liitmikku või voolujuhtmeid, eriti käepideme paigaldamisel.

Toote OHUTUSE ja TÖÖKINDLUSE säilimiseks tuleb vajalikud remonttööd, süsiharja kontrollimine ja väljavahetamine ning muud hooldus- ja reguleerimistööd lasta teha Makita volitatud teeninduskeskustes. Alati tuleb kasutada Makita varuosi.

TARVIKUD

△HOIATUS:

- Neid tarvikuid ja lisaseadiseid on soovitatav kasutada koos Makita tööriistaga, mille kasutamist selles kasutusjuhendis kirjeldatakse. Muude tarvikute ja lisaseadiste kasutamisega kaasneb vigastada saamise oht. Kasutage tarvikuid ja lisaseadiseid ainult otstarvetel, milleks need on ette nähtud.

Saate vajadusel kohalikust Makita teeninduskeskusest lisateavet nende tarvikute kohta.

- Piiktera (SDS-max)
- Külmeisel (SDS-max)
- Pealiskihi meisel (SDS-max)
- Savilabidas (SDS-max)
- Puurimääre
- Kaitseprillid
- Vasaramääre
- Plastist kandekohver

РУССКИЙ ЯЗЫК (Исходная инструкция)

Объяснения общего плана

1-1. Рычаг переключателя	5-1. Хвостовик биты	13-3. Черный
2-1. Регулировочный диск	5-2. Смазка биты	14-1. Отвертка
3-1. Индикаторная лампа включения питания (зеленая)	6-1. Крышка	14-2. Кожух крышки ручки
3-2. Лампа индикатор обслуживания (красная)	8-1. Крышка	15-1. Смазка
4-1. Боковая ручка	9-1. Кольцо изменения	16-1. Разъем
4-2. Гайка зажима	12-1. Винты	16-2. Белый
	13-1. Разъем	16-3. Черный
	13-2. Белый	

ТЕХНИЧЕСКИЕ ХАРАКТЕРИСТИКИ

Модель	HM1213C	HM1203C
Ударов в минуту	950 - 1 900 мин ⁻¹	
Общая длина	576 мм	
Вес нетто	10,8 кг	9,7 кг
Класс безопасности	II	

• Благодаря нашей постоянно действующей программе исследований и разработок, указанные здесь технические характеристики могут быть изменены без предварительного уведомления.

• Примечание: Технические характеристики могут различаться в зависимости от страны.

• Масса в соответствии с процедурой ЕРТА 01/2003

ENE045-1

Назначение

Данный инструмент предназначен для долбления в бетоне, кирпиче, камне и асфальте, а также для проходки горных пород и уплотнения грунта при использовании соответствующих принадлежностей.

ENF002-2

Питание

Подключайте данный инструмент только к тому источнику питания, напряжение которого соответствует напряжению, указанному на паспортной табличке. Инструмент предназначен для работы от источника однофазного переменного тока. Они имеют двойную изоляцию и поэтому может подключаться к розеткам без заземления.

ENG905-1

Шум

Типичный уровень взвешенного звукового давления (A), измеренный в соответствии с EN60745:

Модель HM1213C

Уровень звукового давления (L_{pA}): 75 дБ (A)

Уровень звуковой мощности (L_{WA}): 95 дБ(A)

Погрешность (K): 2,53 дБ(A)

Модель HM1203C

Уровень звукового давления (L_{pA}): 81 дБ (A)

Уровень звуковой мощности (L_{WA}): 95 дБ(A)

Погрешность (K): 2,1 дБ(A)

Используйте средства защиты слуха

ENG900-1

Вибрация

Суммарное значение вибрации (сумма векторов по трем осям) определяется по следующим параметрам EN60745:

Модель HM1213C

Режим работы: долбление с использованием боковой рукоятки

Распространение вибрации ($a_{h,ChEq}$): 7,0 м/с²

Погрешность (K): 1,5 м/с²

Модель HM1203C

Режим работы: долбление с использованием боковой рукоятки

Распространение вибрации ($a_{h,ChEq}$): 15,5 м/с²

Погрешность (K): 1,5 м/с²

ENG901-1

- Заявленное значение распространения вибрации измерено в соответствии со стандартной методикой испытаний и может быть использовано для сравнения инструментов.
- Заявленное значение распространения вибрации можно также использовать для предварительных оценок воздействия.

⚠️ ПРЕДУПРЕЖДЕНИ:

- Распространение вибрации во время фактического использования электроинструмента может отличаться от заявленного значения в зависимости способа

применения инструмента.

- Обязательно определите меры безопасности для защиты оператора, основанные на оценке воздействия в реальных условиях использования (с учетом всех этапов рабочего цикла, таких как выключение инструмента, работа без нагрузки и включение).

ENH213-6

Только для европейских стран

Декларация о соответствии ЕС

Makita Corporation, являясь ответственным производителем, заявляет, что следующие устройства Makita:

Назначение инструмента: Отбойный молоток

Модель/Тип: HM1213C, HM1203C

Технические характеристики: см. Таблицу "ТЕХНИЧЕСКИЕ ХАРАКТЕРИСТИКИ".

являются серийной продукцией и

Соответствует следующим директивам ЕС:

2000/14/EC, 2006/42/EC

И изготовлены в соответствии со следующими стандартами или нормативными документами:

EN60745

Техническая документация хранится у официального представителя в Европе:

Makita International Europe Ltd.

Michigan Drive, Tongwell,

Milton Keynes, Bucks MK15 8JD, England

Процедура оценки соответствия согласно директиве 2000/14/EC была проведена в соответствии с приложением VIII.

Уполномоченный орган:

TÜV Rheinland LGA Products GmbH

Tillystraße 2

D-90431 Nürnberg

идентификационный номер 0197

Модель HM1213C

Измеренный уровень звуковой мощности: 95дБ (А)

Гарантированный уровень звуковой мощности: 97дБ (А)

Модель HM1203C

Измеренный уровень звуковой мощности: 95дБ (А)

Гарантированный уровень звуковой мощности: 98дБ (А)

10.8.2010



Tomoyasu Kato

Директор

Makita Corporation

3-11-8, Sumiyoshi-cho,

000230

Общие рекомендации по технике безопасности для электроинструментов

⚠ ПРЕДУПРЕЖДЕНИЕ Ознакомьтесь со всеми инструкциями и рекомендациями по технике безопасности. Невыполнение инструкций и рекомендаций может привести к поражению электротоком, пожару и/или тяжелым травмам.

Сохраните брошюру с инструкциями и рекомендациями для дальнейшего использования.

GEB004-6

МЕРЫ БЕЗОПАСНОСТИ ПРИ ИСПОЛЬЗОВАНИИ ОТБОЙНОГО МОЛОТКА

1. **Пользуйтесь средствами защиты органов слуха.** Воздействие шума может привести к потере слуха.
2. **Используйте дополнительную ручку (если входит в комплект инструмента.** Утрата контроля над инструментом может привести к травме.
3. **Если при выполнении работ существует риск контакта режущего инструмента со скрытой электропроводкой или собственным шнуром питания, держите электроинструмент за специально предназначенные изолированные поверхности.** Контакт с проводом под напряжением приведет к тому, что металлические детали инструмента также будут под напряжением, что приведет к поражению оператора электрическим током.
4. **Надевайте защитную каску, защитные очки и/или защитную маску.** Обычные или солнцезащитные очки НЕ являются защитными очками. Также настоятельно рекомендуется надевать противопылевой респиратор и перчатки с толстыми подкладками.
5. **Перед выполнением работ убедитесь в надежном креплении биты.**
6. **При нормальной эксплуатации инструмент может вибрировать.** Винты могут раскрутиться, что приведет к поломке или несчастному случаю. Перед эксплуатацией тщательно проверяйте затяжку винтов.
7. **В холодную погоду, или если инструмент не использовался в течение длительного периода времени, дайте инструменту**

немного прогреться, включив его без нагрузки. Это размягчит смазку. Без надлежащего прогрева ударное действие будет затруднено.

8. При выполнении работ всегда занимайте устойчивое положение.
При использовании инструмента на высоте убедитесь в отсутствии людей внизу.
9. Крепко держите инструмент обеими руками.
10. Руки должны находиться на расстоянии от движущихся деталей.
11. Не оставляйте работающий инструмент без присмотра. Включайте инструмент только тогда, когда он находится в руках.
12. При выполнении работ не направляйте инструмент на кого-либо, находящегося в месте выполнения работ. Бита может выскользнуть и привести к травме других людей.
13. Сразу после окончания работ не прикасайтесь к бите или к деталям в непосредственной близости от нее. Бита может быть очень горячей, что приведет к ожогам кожи.
14. Без необходимости не эксплуатируйте инструмент без нагрузки.
15. Некоторые материалы могут содержать токсичные химические вещества. Примите соответствующие меры предосторожности, чтобы избежать вдыхания или контакта с кожей таких веществ. Соблюдайте требования, указанные в паспорте безопасности материала.

СОХРАНИТЕ ДАННЫЕ ИНСТРУКЦИИ.

⚠ ПРЕДУПРЕЖДЕНИ:

НЕ ДОПУСКАЙТЕ, чтобы удобство или опыт эксплуатации данного устройства (полученный от многократного использования) доминировали над строгим соблюдением правил техники безопасности.

НЕПРАВИЛЬНОЕ ИСПОЛЬЗОВАНИЕ инструмента или несоблюдение правил техники безопасности, указанных в данном руководстве, может привести к тяжелой травме.

ОПИСАНИЕ ФУНКЦИОНИРОВАНИЯ

⚠ ПРЕДУПРЕЖДЕНИ:

- Перед проведением регулировки или проверки работы инструмента всегда проверяйте, что инструмент выключен, а шнур питания вынут из розетки.

Действие переключения

Рис.1

⚠ ПРЕДУПРЕЖДЕНИ:

- Перед включением инструмента в розетку всегда проверяйте, выключен ли инструмент.
- Переключатель можно заблокировать в положении "ВКЛ" для удобства оператора при продолжительном использовании. Будьте осторожны при блокировке инструмента в положении "ВКЛ" и продолжайте крепко удерживать инструмент.

Для включения инструмента нажмите на выключатель "ON (I)" с левой стороны инструмента. Для выключения инструмента нажмите на выключатель "OFF (O)" с правой стороны инструмента.

Изменение скорости

Рис.2

Количество ударов в минуту можно установить поворотом регулировочного диска. Это может быть сделано даже во время работы инструмента. Диск снабжен метками - от 1 (самая низкая скорость) до 5 (максимальная скорость).

Ниже приведена таблица, в которой указано соотношение между числовыми метками на регулировочном диске и количеством ударов в минуту.

Число на регулировочном диске	Ударов в минуту
5	1 900
4	1 700
3	1 450
2	1 200
1	950

009956

⚠ ПРЕДУПРЕЖДЕНИ:

- Диск регулировки скорости можно поворачивать только до цифры 5 и обратно до 1. Не пытайтесь повернуть его дальше 5 или 1, так как функция регулировки скорости может выйти из строя.

Примечание:

- Количество ударов в минуту без нагрузки сокращается по сравнению с количеством ударов с нагрузкой. Это объясняется стремлением снизить вибрацию при работе без нагрузки и не является признаком неисправности. При сверлении бетона количество ударов в минуту увеличивается и достигает показателя, указанного в таблице. При низкой температуре и повышении вязкости смазки данная функция инструмента может не работать даже при работающем электродвигателе.

Индикаторная лампа

Рис.3

При подключении инструмента к сети питания загорается зеленый индикатор включения. Если индикатор не загорается, то неисправен либо сетевой шнур, либо контроллер. Если индикатор горит, а инструмент не запускается даже при его включении, то: либо износились угольные щетки, либо неисправен контроллер или переключатель ВКЛ./ВЫКЛ. электродвигателя.

Когда угольные щетки износились практически полностью, начинает мигать красный индикатор, указывающий на необходимость проведения технического обслуживания. Примерно через 8 часов эксплуатации электродвигатель отключится автоматически.

МОНТАЖ

⚠️ ПРЕДУПРЕЖДЕНИ:

- Перед проведением каких-либо работ с инструментом всегда проверяйте, что инструмент выключен, а шнур питания вынут из розетки.

Боковая рукоятка (вспомогательная рукоятка)

Рис.4

Боковую рукоятку можно поворачивать на 360° по вертикали и закреплять в любом необходимом положении. Она также крепится в восьми различных положениях в обоих направлениях по горизонтали. Просто ослабьте зажимную гайку и поверните боковую рукоятку в необходимое положение. Затем крепко затяните зажимную гайку.

Боковую рукоятку также можно установить в задней выемке. Ослабьте зажимную гайку и расширьте основание боковой рукоятки. Сдвиньте боковую рукоятку назад к задней выемке и закрепите ее с помощью зажимной гайки.

Установка или снятие биты

Рис.5

Очистите хвостовик биты и нанесите смазку для бит перед ее установкой.

Вставьте биту в инструмент. Поверните биту, толкая ее вниз, до тех пор, пока не будет обеспечено сцепление.

Рис.6

Если утопить сверло не удастся, извлеките его. Несколько раз потяните крышку книзу. После этого снова вставьте сверло. Поверните сверло и нажмите, чтобы зафиксировать его.

Рис.7

После установки всегда проверяйте надежность крепления биты, попытайтесь вытянуть ее.

Чтобы вынуть сверло, потяните крышку книзу до упора и извлеките сверло.

Рис.8

Угол наклона биты

Рис.9

Рис.10

Бита может быть закреплена под 12 разными углами. Чтобы изменить угол наклона биты, сдвиньте вперед кольцо переключения, а затем поверните это кольцо для смены угла биты. При нужном угле сместите кольцо переключения обратно в исходное положение. Бита будет закреплена на месте.

Примечание:

- Кольцо переключения нельзя повернуть, если бита не вставлена в инструмент.

ЭКСПЛУАТАЦИЯ

Расщепление/Скобление/Разрушение

Рис.11

Всегда используйте боковую ручку (дополнительную) и во время работы крепко держите инструмент за боковую ручку и ручку с выключателем. Включите инструмент и немного надавите на него, чтобы он не подпрыгнул вверх без надлежащего контроля. Приложение значительного усилия на инструмент не повышает эффективности его эксплуатации.

ТЕХОБСЛУЖИВАНИЕ

⚠️ ПРЕДУПРЕЖДЕНИ:

- Перед проверкой или проведением техобслуживания всегда проверяйте, что инструмент выключен, а штекер отсоединен от розетки.
- Запрещается использовать бензин, лигроин, растворитель, спирт и т.п. Это может привести к изменению цвета, деформации и появлению трещин.

Смазка

ПРЕДУПРЕЖДЕНИ:

- Эту процедуру обслуживания следует выполнять только в уполномоченных сервис-центрах Makita или в мастерских предприятия-изготовителя.

Инструмент не требует почасовой или ежедневной смазки, благодаря имеющейся в нем системе смазки. Тем не менее, рекомендуется периодически заменять смазку, чтобы продлить срок эксплуатации инструмента.

Включите инструмент на несколько минут, чтобы он прогрелся. Отключите инструмент и выньте штекер из розетки питания.

Ослабьте шесть винтов и снимите ручку. Обратите внимание на то, что верхние винты отличаются от других винтов.

Рис.12

Отсоедините две клеммы (белую и черную), потянув за них.

Рис.13

Ослабьте четыре винта на крышке кривошипа и снимите его крышку.

Рис.14

Удалите старую смазку внутри ручки и замените ее свежей смазкой (60 г.). Используйте только оригинальную смазку для молотка компании Makita (дополнительная принадлежность). Использование для заполнения излишнего количества смазки по сравнению с указанным (приблизительно 60 г) может привести к неправильному функционированию ударного устройства или к отказу инструмента. Используйте для заполнения только указанное количество смазки.

Рис.15

ПРЕДУПРЕЖДЕНИ:

- Соблюдайте осторожность, чтобы не повредить разъем и выводы проводов при удалении старой смазки.

Для сборки инструмента выполните процедуру разборки в обратном порядке.

ПРЕДУПРЕЖДЕНИ:

- При установке крышки ручки не затягивайте винты слишком сильно. Это может привести к поломке, так как крышка изготовлена из полимера.

Рис.16

Надежно подключите разъем и установите ручку на место.

ПРЕДУПРЕЖДЕНИ:

- Соблюдайте осторожность, чтобы не повредить разъем и выводы проводов, особенно при установке ручки.

Для обеспечения БЕЗОПАСНОСТИ и НАДЕЖНОСТИ изделия, ремонт, проверка и замена угольных щеток и любые другие работы по техобслуживанию или регулировке должны осуществляться в уполномоченных сервис-центрах Makita с использованием запасных частей только производства компании Makita.

ПРИНАДЛЕЖНОСТИ

ПРЕДУПРЕЖДЕНИ:

- Эти принадлежности или насадки рекомендуется использовать вместе с Вашим инструментом Makita, описанным в данном руководстве. Использование каких-либо других принадлежностей или насадок может представлять опасность получения травм. Используйте принадлежность или насадку только по указанному назначению.

Если Вам необходимо содействие в получении дополнительной информации по этим принадлежностям, свяжитесь со своим местным сервис-центром Makita.

- Пирамидальное долото (SDS-max)
- Зубило для скобления (SDS-max)
- Зубило для скобления (SDS-max)
- Лопата для глины (SDS-max)
- Смазка биты
- Защитные очки
- Смазка для молотка
- Пластмассовый чемодан для переноски

Makita Corporation
Anjo, Aichi, Japan

884887C981

www.makita.com