



# P.I.T.<sup>®</sup>

Progressive Innovational Technology

**EN**

PRODUCT PASSPORT  
USER'S MANUAL

**RU**

ПАСПОРТ ИЗДЕЛИЯ ИНСТРУКЦИЯ  
ПОЛЬЗОВАТЕЛЯ

## ELECTRIC MIXER

## ЭЛЕКТРИЧЕСКАЯ ДРЕЛЬ МИКСЕР



### PHM120-C

PROGRESSIVE INNOVATIONAL TECHNOLOGY

ПРОГРЕССИВНЫЕ ИННОВАЦИОННЫЕ ТЕХНОЛОГИИ



## **GENERAL SAFETY PRECAUTIONS**

1. Always keep the workplace clean. Contaminated workplace and workbenches increase the risk of accidents.
2. Follow the operation manual carefully. Do not use the tool when it rains. Also do not use the tool in damp locations. The workplace should be well-lit. Do not use the tool near flammable liquids or gas. During operation, as well as power on and power off, the tool generates sparks. Therefore, never use the tool in places where there are varnishes, paints, gasoline, dissolvers, gas, adhesives and other flammable and explosive materials.
3. To prevent electric shock during operation, make sure that the drill mixer case is not in contact with grounded objects, for example, when laying pipes, when installing heating batteries, plates, refrigerators, etc.
4. Keep children away from the electric tool while it is operating. Keep unauthorized persons away from the electric tool and power extender.
5. Store the tool in a dry and lockable place so that it does not fall into the hands of children or unauthorized persons.
6. Use the tool without pressure and applying force. The drill mixer will work better and more reliably if you use the recommended speeds by the operation manual.
7. Use only those types of tools that directly comply with the requirements of this type of work. For jobs requiring a high power tool, you cannot use a tool with a lower power. It is recommended to use tools suitable for the application purposes, for example, do not use a circular saw in order to saw down knots or trees.
8. During work, wear comfortable and suitable clothing. Do not also wear apparels during operation. Loose parts of clothing or apparels can be tightened by moving parts of the tool. During work on the street, rubber gloves and comfortable shoes with lug sole should be worn on so that the sole does not slip.
9. If a large amount of dust forms during operation, wear safety goggles and an anti-powder mask.
10. Handle the cable with care. When unplugging, do not pull the cable. Do not leave the cable in the heat, on the oil surface or on the surface with sharp edges.
11. Secure the workpiece securely. Use clamps and jaw vices if possible to secure the part. This is more reliable than holding the part.
12. Do not tilt the tool too much. Always maintain a stable position and a good balance.
13. Watch closely for the tool conditions. For better and more reliable use, they must always be sharp and clean. Follow the operation manual for lubricating and replacing the accessories. Regularly check the tool cable condition and, if damaged, return it to the technical service centers for repairs. From time to time, check the power extender and replace it if damaged. Keep handles in a dry, clean place; do not allow oil and grease to enter the handles.
14. Disconnect tool from the mains, when not in use, and do not power on them during servicing or replacing accessories, such as a circular saw blade, drill bit, blade, etc.
15. Always check before power on the tool that the adjusting wrench and the wrench are removed.
16. Avoid involuntary power on the tool. Do not hold the connected tool by the switch. Before attaching, make sure that the tool is disconnected.
17. When working outdoors, use an appropriate power extender. Use only a power extender fits the wire cross-section.
18. Always keep the work process under control. Do not use tool if you are tired.
19. Inspect damaged parts carefully. Before further use of the tool, carefully check that the tool functions properly and if all the prescribed functions are performed by the tool. Also check the installation and fastening of moving parts, watch for parts breakage and other conditions that can adversely affect the operation of the tool. Damaged parts and protective equipment must be exchanged only in technical service centers. Defective switches are also exchanged in these centers. Do not use the tool if it cannot be powered on or off by the switch.
20. Use electric tools only for the purpose intended in the operation manual.
21. Using of the accessory components that are not listed in the operation manual or in the catalog may cause the tool damage.
22. Repair the tool only in special technical service centers. The manufacturer is not liable for damage or damage caused to the tool as a result of repair by persons who do not have special authority for this or as a result of careless handling of the tool.
23. In order to ensure the production integrity of the tool, never remove the built-in cases or bolts.
24. Do not touch the moving parts and accessories if the tool is not powered off.
25. Use a tool with low power consumption as indicated on the type plate of the tool, otherwise, due to overload, the quality of the surface to be treated, and consequently the efficiency, can be significantly reduced.
26. Do not wipe the plastic parts with solvent. Solvents such as gasoline, solvent, carbon tetrachloride, alcohol, ammonia and oil can damage the plastic material or cause cracks. When cleaning plastic parts, use soapy water and a wash-cloth.
27. Use only original replacement parts.
28. A detailed diagram of the elements in the operation manual is provided only for technical service centers.

### INTENDED USE

Drill mixer is designed for drilling holes in metals, wood, plastic. As well as for mixing of floated and granular building materials.

### EXPLANATION OF P.I.T. TRADEMARK

#### P.I.T. Progressive Innovative Technology

Currently, 10 kinds of mechanical and electrical equipment are produced under the P.I.T. trademark. In terms of sales, drill mixers occupy one of the leading positions.

Each letter and number in the designation of the P.I.T. model has the meaning.

For example, **PHM120-C**

**P** – Trademark of P.I.T.

**HM** – drill mixer

**120** –Blade diameter

**C** - modification series



**Model PHM120-C**

### OPERATION PRINCIPLE

An electromotor creates a rotating force for a drill bit mounted in a chuck. Since the rotational speed of the electromotor itself is too high for the normal drilling mode, there is a gearbox in the drill mixer, which reduces the rotational speed to a normal value and at the same time increases the rotational moment (rotational force) on the drill bit.

### PRODUCT SPECIFICATIONS

	<b>PHM120-C</b>
<b>Rated voltage</b>	<b>220 V</b>
<b>Blade diameter</b>	<b>120 mm</b>
<b>Chuck maximum diameter</b>	<b>16 mm</b>
<b>No-load speed</b>	<b>0-550 rpm</b>
<b>Rated capacity</b>	<b>1,050 W</b>
<b>Weight</b>	<b>7 kg</b>

**FUNCTIONAL CAPABILITIES AND FEATURES OF THE ELECTRIC DRILL MIXER**

**FUNCTIONAL CAPABILITIES**

It is used for drilling holes in plastic, ceramics, metal and wood. Also for mixing of the building materials. The tool is equipped with a speed controller, has the functional ability to reverse the rotation direction.

It is possible to use for threading in the presence of special accessories.

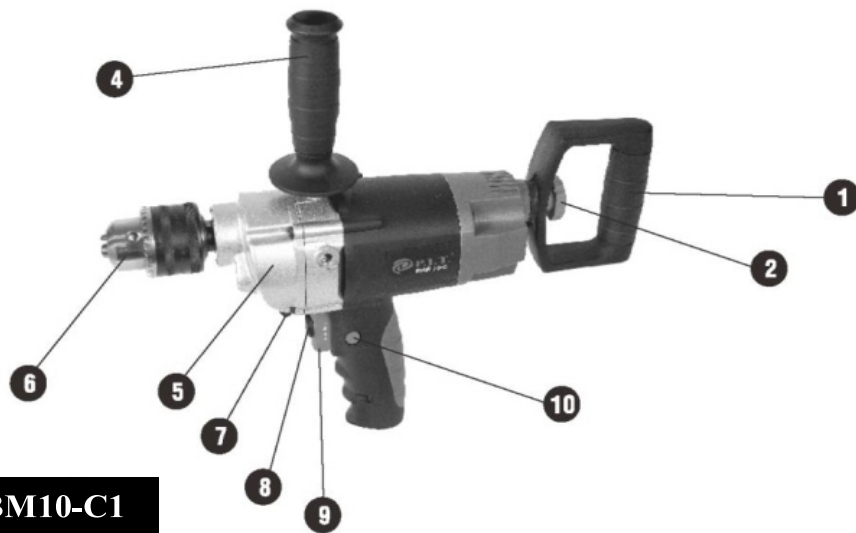
**FEATURES**

- Sensitive start-up, drilling precision
- Gears of high quality metal
- Self-blocking key

**Note:** ■ – available □ – not available

MODEL	DOUBLE INSULATION	SPEED CONTROLLER	REVERSE RORATION	SELF-BLOCKING KEY	MIXER MODE	DRILLING MODE
PHM120-C	■	■	■	■	■	■

**ELECTRIC DRILL MIXER ASSEMBLY**



**Model PBM10-C1**

- |                           |                       |
|---------------------------|-----------------------|
| 1. Additional rear handle | 6. Lever-type chuck   |
| 2. Handle mounting screw  | 7. Reverse switch     |
| 3. Case cover             | 8. Speed controller   |
| 4. Additional side handle | 9. On/off control     |
| 5. Gearbox case           | 10. Start-up lock key |

## **RULES OF OPERATION**

### **Installation of additional handles**

- Always mount additional handles rear (1) and side (4) (Please look “DRILL MIXER ASSEMBLY”) for the purpose of safety and convenience.
- The rear handle (1) is fixed to the housing with a screw (2).
- An additional side handle (4) can be mounted on the drill mixer case in one of three convenient positions.
- Screw the side handle (4) into one of the mounting holes in the drill mixer gearbox case. **Tighten the handle by rotating it clockwise to lock the selected position.**

### **Installation of working head pieces**

- Disconnect tool from power supply
- Insert the chuck key with the shank into one of the three holes on the chuck case (6) and loosen the chuck tightening by turning the key counterclockwise.
- Turn the chuck sleeve until you reveal the jaws.
- Insert the desired working head piece (mixer, drill bit) into the chuck jaws.
- Reinsert the chuck key with the shank into one of the three holes on the chuck case and tighten the chuck firmly by turning the key clockwise.
- Remove the key from the chuck.

### **On / off**

- To turn on the drill press the on/off control (9). The more pressure on the key, the greater the speed.
- Release the on/off control (9) to turn off the drill mixer.
- During operation, observe the requirements of safety rules! Hold the drill mixer with both hands!
- The maximum volume of the mixed mixture depends on the density and viscosity of the material.
- Do not mix more than 40 liters of material at a time.
- If the tool was stored in the cold, it must be kept at room temperature until the dampness on the tool dries completely (several hours) before turning it on.
- Do not overload the tool, it works reliably and safely only if the parameters specified in its product specifications.
- Work intermittently to prevent the tool from overheating. Maintain a short-term interval of work, i.e. for every 15-20 minutes of work, pause for about 5 minutes, for rest, cleaning and the tool cooling.
- In all cases of violation of the normal operation of the tool - stop working and contact the technical service center.

### **Start-up lock key**

- The start-up lock key (10) allows you to maintain the chuck maximum rotation speed without the need to constantly press the on/off control (9).
- For continuous operation of the drill mixer, with the on/off control (9) pressed, press the start-up lock key (10).
- To turn off the drill mixer, operating in continuous mode, simply press the on/off control (9) again.

### **Speed controller**

- Changing the speed allows you to more accurately control the process of drilling and mixing in a variety of materials.
- Using the wheel controller (8) is integrated to the on/off control key (9), it is possible to set the desired no-load speed of the chuck in the range of 0-550 rpm.
- If the wheel controller is rotated counterclockwise, the speed decreases, and clockwise – the speed increases.

### **Reverse switch**

- The reverse switch (7) can be used to set the desired rotation direction of the chuck.
- When the reverse is in the “forward” position, the chuck rotates clockwise. If it is in the opposite direction, the rotation is counterclockwise.

### **Preparation of mixtures**

- It is recommended to use special plastic or metal containers of round and rectangular shape for mixing materials. Volume of containers from 10 to 100 liters.
- It is permissible to use any suitable containers, the size of which is suitable for your tasks.
- It is possible to prepare mixtures of both water-based (wallpaper glue, etc.) and solvent-based.
- When working with flammable mixtures, such as oil paints, etc., observe the appropriate fire safety regulations.

### **Mixing of the materials with low viscosity (varnishes, paints, liquid glue)**

- Pour the stirred material into a clean container.
- Use the speed controller to set the minimum speed on the mixer.
- Lower the mixer head piece into the material to be mixed.
- Press the on/off control, the mixer will start rotation and mix the material.
- To speed up the mixing process, slowly increase the motor speed.
- If the mixture starts to spray, it is necessary to reduce the speed.
- The rotation speed of the mixer for mixing of different material types is set by test.

## MAINTENANCE

### **Maintenance frequency**

- Careful attention to preventive maintenance, regular inspections, checks and care extend the service life, and increase the tool efficiency.
- The drill mixer is filled with appropriate grease before being shipped from the factory. It is recommended to contact an authorized technical service center regularly (every 100 full hours) for periodic maintenance.
- Every time before using the tool, make its external inspection and checks.
- Damaged rubber seals should be replaced in a timely manner to avoid getting dirt inside the tool.
- Make sure that the vents on the drill mixer case are always clean and free of dirt.

### **Chuck removing**

- To remove the chuck (6), open its jaws with the key. Hold the chuck firmly with one hand, and with the other using a screwdriver unscrew the locking screw in the chuck.
- Insert the chuck key into the hole on the chuck case and rotate the chuck so that the key is in a horizontal position on the right side of the drill mixer. Using a hammer, apply a short, energetic blow to the key, in a counterclockwise direction so as to loosen the chuck fastening on the spindle.
- Remove the chuck from the spindle by rotating it counterclockwise.
- To install the chuck back, press it on the thread and rotate it clockwise until it stops.
- Screw in the locking screw in it and rotate it counterclockwise until you tighten it tight enough.

### **Carbon brushes replacing**

- Replace the carbon brushes periodically.
- A sign of the necessary replacement brushes is also a strong power drop of the tool. The operation of such a tool is strictly prohibited! The power drop caused by the old brushes and bad rotation of the engine leads to its rapid failure.
- To replace the carbon brushes, contact an authorized technical service center.
- To replace the carbon brushes, disconnect the tool from the mains, remove the rear cover of the motor case (3), remove the old brushes and replace them with new ones.

### **TERMS OF WARRANTY SERVICE**

1. This Warranty Certificate is the only document that confirms your right to free warranty service. Without presenting this certificate, no claims are accepted. In case of loss or damage, the warranty certificate is not restored.

2. The warranty period for the electric machine is 12 months from the date of sale, during the warranty period the service department eliminates manufacturing defects and replaces parts that have failed due to the fault of the manufacturer free of charge. In the warranty repair, an equivalent operable product is not provided. Replaceable parts become property of service providers.

P.I.T is not liable for any damage that may be caused by operation of the electric machine.

3. Only clean tool accompanied with the following duly executed documents: this Warranty Certificate, Warranty Card, with all fields filled out, bearing the stamp of the trade organization and the signature of the buyer, shall be accepted for warranty repair.

4. Warranty repair is not performed in the following cases:

- in the absence of a Warranty Certificate and a Warranty Card or their incorrect execution;
- with failure of both a rotor and a stator of the electric engine, charring or melting of primary winding of the welding machine transformer, charging or starting-charging device, with internal parts melting, burn down of electronic circuit boards;
- if a Warranty Certificate or a Warranty Card does not correspond to this electric machine or to the form established by the supplier;
- upon expiration of the warranty period;
- at attempts of opening or repair of the electric machine outside the warranty workshop; making constructive changes and lubrication of the tool during the warranty period, as evidenced, for example, by the creases on the spline parts of the fasteners of non-rotational parts.
- when using electric tools for production or other purposes connected with making a profit, as well as in case of malfunctions related to instability of the power network parameters exceeding the norms established by GOST;
- in the events of improper operation (use the electric machine for other than intended purposes, attachments to the electric machine of attachments, accessories, etc. not provided by the manufacturer);
- with mechanical damage to the case, power cord and in case of damages caused by aggressive agents and high and low temperatures, ingress of foreign objects in the ventilation grids of the electric machine, as well as in case of damage resulting from improper storage (corrosion of metal parts);
- natural wear and tear on the parts of the electric machine, as a result of long-term operation (determined on the basis of the signs of full or partial depletion of the specified mean life, great contamination, presence of rust outside and inside the electric machine, waste lubricant in the gearbox);
- use of the tool the purposes for other than specified in the operating instructions.
- mechanical damages to the tool;
- in the event of damages due to non-observance of the operating conditions specified in the instruction (see chapter "Safety Precautions" of the Manual).
- damage to the product due to non-observance of the rules of storage and transportation.

Preventive maintenance of electric machines (cleaning, washing, lubrication, replacement of anthers, piston and sealing rings) during the warranty period is a paid service.

The service life of the product is determined by the manufacturer and is 2 years from the date of manufacture.

The owner is notified of any possible violations of the above terms of warranty service upon completion of diagnostics in the service center.

The owner of the tool entrusts the diagnostic procedure to be conducted in the service center in his absence.

Do not operate the electric machine when there are signs of excessive heat, sparking, or noise in the gearbox. To determine the cause of the malfunction, the buyer should contact the warranty service center.

Malfunctions caused by late replacement of carbon brushes of the engine are eliminated at the expense of the buyer.

5. The warranty does not cover:

- replacement accessories (accessories and components), for example: batteries, discs, blades, drill bits, borers, chucks, chains, sprockets, collet clamps, guide rails, tension and fastening elements, trimming device heads, base of grinding and belt sander machines, filters, etc.,
- fast wearing parts, for example: carbon brushes, drive belts, seals, protective covers, guiding rollers, guides, rubber seals, bearings, toothed belts and wheels, shanks, brake belts, starter ratchets and ropes, piston rings, etc. Their replacement during the warranty period is a paid service;
- power cords, in case of damage to the insulation, power cords are subject to mandatory replacement without the consent of the owner (paid service);
- tool case.



**P.I.T. WARRANTY CERTIFICATE**

Product Name \_\_\_\_\_

Place of seal \_\_\_\_\_

Product Number Serial Number 

Sale Date \_\_\_\_\_

Trade Organization Name \_\_\_\_\_

**Dear customer!**

Thank you for purchasing the P.I.T tool, and we hope that you will be satisfied with your choice. In the process of manufacturing the P.I.T tools pass multilevel quality control, if nevertheless your product will need maintenance, please contact the authorized P.I.T service centers.

**Attention!**

When buying, ask a seller to check the completeness and operability of the tool, to fill out the Warranty Certificate, the Warranty Card (the boxes shall be filled out by a seller) and to affix the seal of the trade organization in the Guarantee Certificate and the Warranty Card.

**Warranty**

By this Warranty Certificate, P.I.T. company guarantees the absence of defects of the production nature.

In the event any of the above defects are detected during the warranty period, the specialized P.I.T. service centers shall repair the product and replace the defective spare parts free of charge.

The warranty period for P.I.T. electric machines is 12 months from the date of sale.

**“The warranty maintenance terms acknowledged and accepted. The operability and completeness of the product are checked in my presence. No claims on quality and appearance.”**

Buyer's Signature \_\_\_\_\_ Surname (legibly) \_\_\_\_\_

Phone \_\_\_\_\_



## ОБЩИЕ МЕРЫ БЕЗОПАСНОСТИ

1. Всегда поддерживайте рабочее место в чистом состоянии. Загрязненные рабочие поверхности и верстаки повышают опасность несчастного случая.
2. Строго соблюдайте рекомендации инструкции по эксплуатации. Не используйте инструмент во время дождя. Также не используйте инструмент во влажных помещениях. Рабочее место должно быть хорошо освещено. Не используйте инструмент вблизи легковоспламеняющихся жидкостей или газа. Во время эксплуатации, а также при включении и выключении инструмент вырабатывает искры. Поэтому никогда не используйте инструмент в тех местах, где находятся лак, краски, бензин, растворитель, газ, клей и другие воспламеняющиеся и взрывоопасные материалы.
3. Чтобы Вас во время работы не ударило током, следите за тем, чтобы корпус дрели не был в контакте с заземленными предметами, например при прокладке труб, при установке отопительных батарей, плит, холодильников и т.д.
4. Храните инструмент таким образом, чтобы дети не могли им воспользоваться. Избегайте контакта других лиц с инструментом или удлинителем.
5. Храните инструмент в сухом и запираемом месте, чтобы он не попал в руки детям или другим лицам.
6. Используйте инструмент без нажима и применения силы. Дрель будет работать лучше и надежнее, если использовать скорости, рекомендуемые инструкцией.
7. Пользуйтесь только теми инструментами, которые непосредственно соответствуют требованиям работы данного типа. Для работ, требующих инструмент высокой мощности, нельзя использовать инструмент с более низкой мощностью. Рекомендуется использовать инструменты, соответствующие цели применения например, не следует применять циркулярную пилу для того, чтобы отпилить сучки или спилить дерево.
8. Во время работы следует надевать удобную и подходящую для работы одежду. Не следует также во время работы надевать украшения. Свободно болтающиеся части одежды или украшения могут быть затянуты движущимися частями инструмента. Во время работы на улице следует надевать резиновые перчатки и удобную обувь на рифленой подошве, чтобы подошва не скользила.
9. Если во время работы образуется большое количество пыли, то следует надевать защитные очки и противопылевую маску.
10. Осторожно обращайтесь с кабелем. При выключении из розетки не тяните за кабель. Не оставляйте кабель на жаре, на масляной поверхности или на поверхности с острыми краями.
11. Надежно закрепляйте обрабатываемую деталь. Для закрепления детали используйте по возможности тиски и зажимы. Это более надежно, чем удерживать деталь в руках.
12. Не наклоняйте инструмент слишком сильно. Всегда сохранять устойчивое положение и хороший баланс.
13. Внимательно следите за состоянием инструментов. Для лучшего и более надежного использования они должны быть всегда острыми и чистыми. Следуйте указаниям по смазке и замене комплектующих деталей. Регулярно проверяйте состояние кабеля инструмента и при повреждении отдавайте в ремонт в центры техобслуживания. Время от времени проверяйте удлинитель и заменяйте его при повреждении. Рукоятки храните в сухом, чистом месте, не допускайте попадания на рукоятки масла и жира.
14. Отсоединяйте инструменты от сети, если они не используются, и не включайте при техобслуживании или замене комплектующих деталей, таких, как например, пильный диск, сверло, нож и т.д.
15. Всегда проверяйте перед включением инструмента, удалены ли установочный и гаечный ключи.
16. Избегайте произвольного включения инструмента. Не держите подсоединенный инструмент за переключатель. Перед присоединением убедитесь, что инструмент выключен.
17. При работе на свежем воздухе используйте соответствующий удлинитель. Используйте только такой удлинитель, который подходит по сечению провода.
18. Процесс работы всегда держите под контролем. Не работайте с инструментом в утомленном состоянии.
19. Внимательно проверяйте поврежденные детали. Перед дальнейшим использованием инструмента тщательно проверяйте, правильно ли функционирует прибор и все ли предписанные функции он выполняет. Также проверяйте установку и закрепление движущихся частей, следите за поломкой частей и другими состояниями, которые могут отрицательно сказаться на работе инструмента. Испорченные детали и предохранительные устройства должны обмениваться только в центрах техобслуживания. Дефектные выключатели также обмениваются в этих центрах. Не используйте инструмент, если он не может быть включен или выключен с помощью выключателя.
20. Используйте электроинструменты только по назначению, указанному в инструкции по эксплуатации.
21. Использование комплектующих деталей, не указанных в инструкции по эксплуатации или в каталоге, может привести к поломке инструмента.
22. Инструмент ремонтируйте только в специальных центрах техобслуживания. Изготовитель не несет ответственности за повреждения или порчу, причиненную инструменту в результате его ремонта лицами, не имеющими на это специальных полномочий или в результате неосторожного обращения с инструментом.
23. Для того чтобы обеспечить производственную целостность инструмента, никогда не удаляйте вмонтированные крышки или болты.
24. Не дотрагивайтесь до движущихся частей и комплектующих деталей, если инструмент не выключен.
25. Инструмент с незначительной потребляемой мощностью используйте так, как указано в типовой табличке инструмента, в противном случае из-за перегрузки качество обрабатываемой поверхности, а соответственно и КПД, может значительно снизиться.
26. Не протирайте растворителем пластиковые детали. Растворители, такие как бензин, растворитель, четыреххлористый углерод, спирт, аммиак и масло могут испортить пластиковый материал или стать причиной трещин. При чистке пластиковых деталей используйте мыльную воду и тряпочку.
27. Используйте только оригинальные сменные детали.
28. Подробная схема элементов, расположенная в руководстве по эксплуатации, представлена только для сервисных центров.

## НАЗНАЧЕНИЕ

Миксер-дрель предназначена для сверления отверстий в металлах, дереве, пластике. А так же для замешивания текучих и сыпучих строительных материалов.

## РАСШИФРОВКА ТОРГОВОЙ МАРКИ P.I.T. Progressive Innovational Technology

(Прогрессивные Инновационные Технологии)

В настоящее время под маркой P.I.T. выпускается механическое и электрическое оборудование 10 видов. По объему продаж миксер-дрели занимают одно из лидирующих мест.

Каждая буква и цифра в обозначении модели P.I.T. имеет значение.

Например, **PHM120-C**:

**P** – торговая марка P.I.T.

**HM** – миксер-дрель

**120** – диаметр насадки-венчика

**C** – серия модификации



модель PHM120-C

## ПРИНЦИП РАБОТЫ

Электрический двигатель, создает вращающую силу для сверла, закрепленного в зажимном патроне. Поскольку скорость вращения самого электродвигателя слишком велика для нормального режима сверления, в дрели есть редуктор, который уменьшает скорость вращения до нормальной величины и одновременно тем самым увеличивает крутящий момент (силу вращения) на сверле.

## ТЕХНИЧЕСКИЕ ХАРАКТЕРИСТИКИ

	PHM120-C
Номинальное напряжение	220 В
Диаметр насадки-венчика	120 мм
Максимальный диаметр патрона	16 мм
Скорость вращения на холостом ходу	0-550 об/мин
Номинальная мощность	1050 Вт
Вес	7 кг

## ФУНКЦИОНАЛЬНЫЕ ВОЗМОЖНОСТИ И ОСОБЕННОСТИ МИКСЕР-ДРЕЛИ

### Функциональные возможности:

Применяется для просверливания отверстий в пластике, керамике, металле и дереве. Так же для замешивания строительных материалов.

Инструмент оснащен устройством регулировки скорости, обладает функциональной возможностью реверсного направления вращения.

Возможно применение для нарезания резьбы при наличии специальной оснастки.

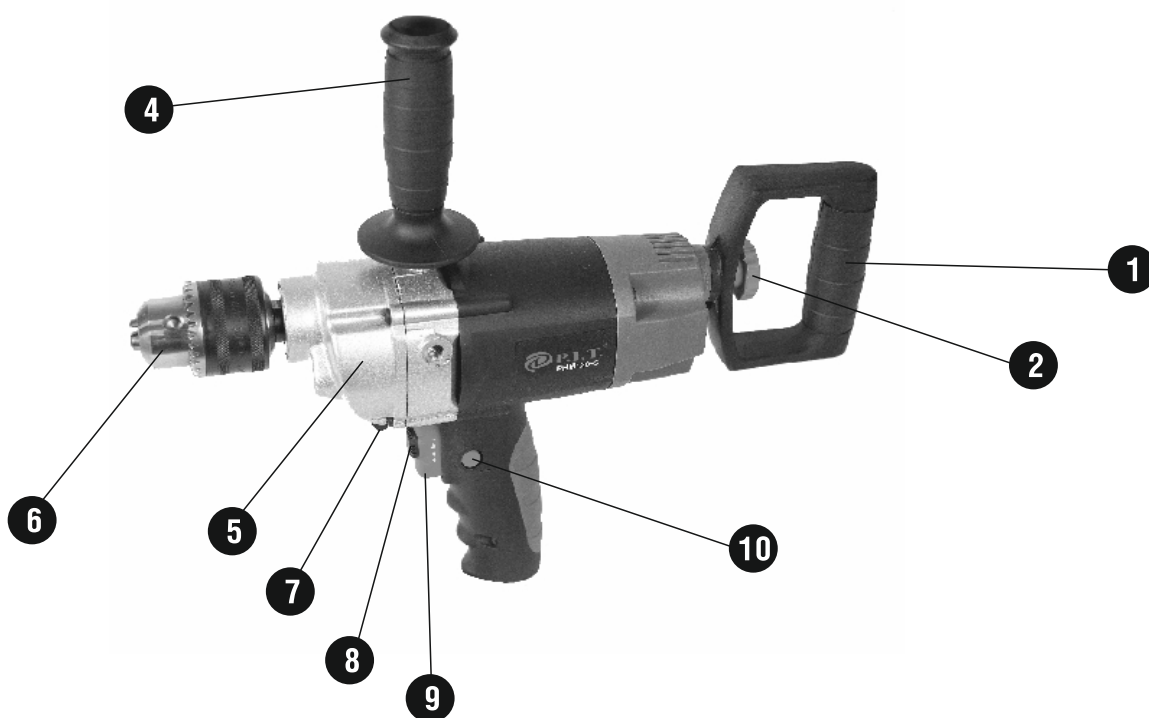
### Особенности:

- чувствительный запуск, точность сверления
- шестерни из высококачественного металла
- клавиша самоблокировки

Примечание: есть  отсутствует

Модель	Двойная изоляция	Регулировка скорости	Реверсное вращение	Клавиша самоблокировки	Режим миксера	Режим сверления
PHM120-C	<input checked="" type="checkbox"/>	<input checked="" type="checkbox"/>	<input checked="" type="checkbox"/>	<input checked="" type="checkbox"/>	<input checked="" type="checkbox"/>	<input checked="" type="checkbox"/>

## УСТРОЙСТВО МИКСЕР-ДРЕЛИ



1. Дополнительная задняя рукоятка
2. Винт крепления рукоятки
3. Крышка корпуса
4. Дополнительная боковая рукоятка
5. Корпус редуктора
6. Патрон ключевой
7. Переключатель реверса
8. Регулятор частоты вращения
9. Клавиша выключателя
10. Кнопка-фиксатор пуска

## ПРАВИЛА ЭКСПЛУАТАЦИИ

### Установка дополнительных рукояток

- Всегда устанавливайте дополнительные рукоятки: заднюю (1) и боковую (4) (См. «УСТРОЙСТВО МИКСЕР-ДРЕЛИ») в целях безопасности и удобства работы.
- Задняя рукоятка (1) фиксируется на корпусе при помощи винта (2).
- Дополнительная боковая рукоятка (4) может быть установлена на корпус дрели в одном из трех удобных для работы положений.
- Вкрутите боковую рукоятку (4) в одно из посадочных отверстий в корпусе редуктора дрели. Затяните рукоятку, вращая ее по часовой стрелке, чтобы зафиксировать выбранное положение.

### Установка рабочих насадок

- Отключить инструмент от сети питания
- Вставьте ключ сверлильного патрона хвостовиком в одно из трех отверстий на корпусе патрона (6) и ослабьте затяжку патрона, вращая ключ против часовой стрелки.
- Вращайте втулку патрона, пока не раскроются кулачки
- Вставьте нужную рабочую насадку (миксер, сверло) в кулачки патрона.
- Снова вставьте ключ патрона хвостовиком в одно из трех отверстий на корпусе патрона и крепко затяните патрон, вращая ключ по часовой стрелке.
- Выньте ключ из патрона

### Включение/выключение

- Чтобы включить дрель нажмите на пусковую клавишу (9). Чем сильнее давить на клавишу, тем больше будет частота вращения.
- Для выключения дрели отпустите пусковую клавишу (9).
- Во время работы соблюдайте требования правил безопасности! Держите миксер двумя руками!
- Максимальный объем перемешиваемой смеси зависит от плотности и вязкости материала.
- Не перемешивайте более 40 литров материала за один раз.
- Если инструмент хранился на холоде, перед включением его необходимо выдержать при комнатной температуре до полного высыхания влаги на инструменте (несколько часов).
- Не перегружайте машину, она работает надежно и безопасно только при соблюдении параметров, указанных в ее технических характеристиках.
- Работайте с перерывами, чтобы не допустить перегрева инструмента. Поддерживайте повторно-кратковременный интервал работы, т.е. на каждые 15–20 минут работы, совершайте паузу около 5 минут, для отдыха, очистки и охлаждения инструмента.
- Во всех случаях нарушения нормальной работы инструмента – прекратите работу и обратитесь в сервисный центр.

### **Кнопка-фиксатор пуска**

- Кнопка фиксации пуска (10) позволяет поддерживать максимальную скорость вращения патрона без необходимости постоянного нажатия на клавишу пускового выключателя (9).
- Для непрерывного режима работы дрели, при нажатой пусковой клавише (9) нажмите кнопку фиксации пуска (10).
- Чтобы выключить дрель, работающую в непрерывном режиме, достаточно еще раз нажать на клавишу пускового выключателя (9).

### **Регулятор скорости**

- Изменение скорости позволяет более точно управлять процессом сверления и перемешивания в разнообразных материалах.
- Пользуясь колесом регулятора (8), встроенным в клавишу пускового выключателя (9), можно установить требуемую скорость холостого хода патрона в диапазоне 0–550 об/мин.
- Если колесо регулятора поворачивать против часовой стрелки, скорость уменьшается, а по часовой стрелке – скорость увеличивается.

### **Переключатель реверса**

- С помощью переключателя реверса (7) можно установить требуемое направление вращения патрона.
- Когда реверс находится в положении «вперед», то патрон вращается по часовой стрелке. Если он в обратном направлении, то вращение идет против часовой стрелки.

### **Подготовка смесей**

- Для смешивания материалов рекомендуется использовать специальные пластиковые или металлические емкости круглой и прямоугольной формы. Объемом от 10 до 100 литров.
- Допустимо применение любых подходящих емкостей, размер которых подходит для Ваших задач.
- Возможно приготовление смесей как на водной основе (обойные клеи и т.п.), так и на основе растворителей.
- При работе с огнеопасными смесями, такими как масляные краски и т.п., соблюдайте соответствующие правила пожарной безопасности.

### **Перемешивание материалов с малой вязкостью (лаки, краски, жидкие клеи)**

- Налейте перемешиваемый материал в чистую емкость.
- С помощью регулятора частоты вращения выставьте на миксере минимальную скорость
- Опустите насадку–миксер в перемешиваемый материал
- Нажмите на выключатель, при этом миксер начнет вращаться, и перемешивать материал.
- Для ускорения процесса перемешивания медленно увеличьте скорость электродвигателя.
- Если смесь начнет разбрызгиваться, то необходимо снизить скорость.
- Скорость вращения миксера при перемешивании для разных видов материалов устанавливаются опытным путем.

## ТЕХНИЧЕСКОЕ ОБСЛУЖИВАНИЕ

### Периодичность обслуживания

- Внимательное отношение к профилактическому обслуживанию, регулярные проверки, осмотр и уход продлевают срок службы, и повышают эффективность работы инструмента.
- Дрель заполнена соответствующей смазкой перед отправкой с завода. Рекомендуется регулярно обращаться (каждые 100 полных часов работы) для периодического обслуживания в авторизованный сервисный центр.
- Каждый раз перед использованием инструмента, производите его наружный осмотр и проверку.
- Поврежденные резиновые манжеты должны быть своевременно заменены, чтобы избежать попадания грязи внутрь инструмента.
- Следите за тем, чтобы вентиляционные отверстия на корпусе дрели были всегда свободны, и очищены от грязи.

### Снятие патрона

- Чтобы снять патрон (6), раскройте его кулачки с помощью ключа. Удерживайте патрон крепко одной рукой, а другой, с помощью отвертки, отверните фиксирующий винт в патроне.
- Установите ключ зажимного патрона в отверстие на корпусе патрона и вращайте патрон так, чтобы ключ находился в горизонтальном положении с правой стороны дрели. С помощью молотка нанесите короткий энергичный удар по ключу, в направлении против часовой стрелки так, чтобы ослабить крепление патрона на шпинделе.
- Удалите патрон со шпинделя, вращая его против часовой стрелки.
- Чтобы установить патрон обратно, наживите его на резьбу и вращайте его по часовой стрелке до упора.
- Заверните в него фиксирующий винт и вращайте его против часовой стрелки, пока не затяните его достаточно плотно.

### Замена угольных щеток

- Периодически заменяйте угольные щетки.
- Признаком необходимой замены щеток также является сильное падение мощности инструмента. Работа такого инструмента категорически запрещена! Падение мощности, вызванное старыми щетками и плохим вращением двигателя, приводит к его быстрому выходу из строя.
- Для замены угольных щеток следует обратиться в авторизованный сервисный центр.
- Для замены угольных щеток отключить инструмент от сети питания, снять заднюю крышку корпуса электродвигателя (3), вынуть старые щетки и установить на их места новые.

## УСЛОВИЯ ГАРАНТИЙНОГО ОБСЛУЖИВАНИЯ

1. Настоящее гарантийное свидетельство является единственным документом, подтверждающим Ваше право на бесплатное гарантийное обслуживание. Без предъявления данного свидетельства претензии не принимаются. В случае утери или порчи гарантийное свидетельство не восстанавливается.

2. Гарантийный срок на электроинструмент составляет 12 месяцев со дня продажи, в течение гарантийного срока сервисная служба бесплатно устраняет производственные дефекты и производит замену деталей, вышедших из строя по вине изготовителя. На период гарантийного ремонта эквивалентный исправный инструмент не предоставляется. Заменяемые детали переходят в собственность служб сервиса. Компания P.I.T. не несет ответственности за вред, который может быть причинен при работе с электроинструментом.

3. В гарантийный ремонт инструмент принимается в чистом виде, при обязательном наличии надлежащим образом оформленных документов: настоящего гарантийного свидетельства, гарантийного талона, с полностью заполненными полями, штампом торговой организации и подписью покупателя.

4. Гарантийный ремонт не производится в следующих случаях:

- при отсутствии гарантийного свидетельства и гарантийного талона или неправильном их оформлении;
- при совместном выходе из строя якоря и статора электродвигателя, при обугливание или оплавлении первичной обмотки трансформатора сварочного аппарата, зарядного или пуско-зарядного устройства, при оплавлении внутренних деталей, прожиге электронных плат;
- если гарантийное свидетельство или талон не принадлежат данному электроинструменту или не соответствует установленному поставщиком образцу;
- по истечении срока гарантии;
- при попытках самостоятельного вскрытия или ремонта электроинструмента вне гарантийной мастерской; внесения конструктивных изменений и смазки инструмента в гарантийный период, о чем свидетельствуют, например, заломы на шлицевых частях крепежа корпусных деталей.
- при использовании электроинструмента в производственных или иных целях, связанных с получением прибыли, а также – при возникновении неисправностей связанных с нестабильностью параметров электросети, превышающих нормы, установленные ГОСТ;
- при неправильной эксплуатации (использование электроинструмента не по назначению, установки на электроинструмент не предназначенных заводом-изготовителем насадок, дополнительных приспособлений и т.п.;
- при механических повреждениях корпуса, сетевого шнура и при повреждениях, вызванных воздействиями агрессивных средств и высоких и низких температур, попадании инородных предметов в вентиляционные решетки электроинструмента, а также при повреждениях, наступивших в результате неправильного хранения(коррозия металлических частей);
- при естественном износе деталей электроинструмента, в результате длительной эксплуатации(определяется по признакам полной или частичной выработки ресурса, сильного загрязнения, ржавчины снаружи и внутри электроинструмента, отработанной смазки в редукторе);
- использование инструмента не по назначению, указанному в инструкции по эксплуатации.
- при механических повреждениях инструмента;
- при возникновении повреждений в связи с несоблюдением предусмотренных инструкцией условий эксплуатации(см. главу Указание по технике безопасности в инструкции).

–повреждение изделия вследствие несоблюдения правил хранения и транспортировки.

Профилактическое обслуживание электроинструмента (чистка, промывка, смазка, замена пыльников, поршневых и уплотнительных колец) в гарантийный период является платной услугой.

Срок службы изделия установлен производителем и составляет 2 года со дня изготовления.

О возможных нарушениях, изложенных выше условий гарантийного обслуживания, владельцу сообщается после проведения диагностики в сервисном центре.

Владелец инструмента доверяет проведение диагностики в сервисном центре в свое отсутствие.

Запрещается эксплуатация электроинструмента при проявлении признаков повышенного нагрева, искрения, а также шума в редукторной части. Для выяснения причин неисправности покупателю следует обратиться в гарантийную мастерскую.

Неисправности, вызванные несвоевременной заменой угольных щеток двигателя, устраняются за счет покупателя.

5. Гарантия не распространяется на:

- сменные принадлежности (аксессуары и оснастка), например: аккумуляторы, диски, ножи, сверла, буры, патроны, цепи, звездочки, канговые зажимы, шины, элементы натяжения и крепления, головки триммеров, подошвы шлифовальных и ленточных машин, фильтры и т.п.
- быстроизнашивающиеся детали, например: угольные щетки, приводные ремни, сальники, защитные кожухи, направляющие ролики, направляющие, резиновые уплотнения, подшипники, зубчатые ремни и колеса, стволы, ленты тормоза, храповики и тросы стартеров, поршневые кольца и т.п. Замена их в течении гарантийного срока является платной услугой.
- шнуры питания, в случае повреждения изоляции, шнуры питания подлежат обязательной замене без согласия владельца (услуга платная).
- корпуса инструмента.



## ГАРАНТИЙНОЕ СВИДЕТЕЛЬСТВО НА ИНСТРУМЕНТ P.I.T.

Наименование изделия \_\_\_\_\_  
Артикул изделия   
Серийный номер   
Дата продажи «\_\_» \_\_\_\_\_  
Наименование торговой организации \_\_\_\_\_

М.П.

### Уважаемый покупатель!

Благодарим Вас за покупку инструмента P.I.T. и надеемся, что Вы останетесь довольны своим выбором. В процессе производства инструменты P.I.T. проходят многоуровневый контроль качества, если тем не менее Ваше изделие будет нуждаться в обслуживании, просим Вас обращаться в авторизованные сервисные центры P.I.T.

### Внимание!

При покупке требуйте у продавца проверки комплектности и работоспособности инструмента, заполнение гарантийного свидетельства, гарантийного талона (графы заполняются продавцом) и простановки печати торговой организации в гарантийном свидетельстве и гарантийном талоне.

### Гарантия

На основании данного гарантийного свидетельства компания P.I.T. гарантирует отсутствие дефектов производственного характера.

Если в течении гарантийного срока в Вашем изделии тем не менее обнаружатся указанные дефекты, специализированные сервисные центры P.I.T. бесплатно отремонтируют изделие и заменят дефектные запасные части.

Гарантийный срок на электроинструменты P.I.T. составляет 12 месяцев со дня продажи.

**«С условиями гарантийного обслуживания ознакомлен(а). Работоспособность и комплектность изделия проверены в моем присутствии. Претензий к качеству и внешнему виду не имею».**

Подпись покупателя \_\_\_\_\_ Фамилия(разборчиво) \_\_\_\_\_

Телефон \_\_\_\_\_



**ГАРАНТИЙНЫЙ ТАЛОН P.I.T.**





**P.I.T. WARRANTY CARD**

Name \_\_\_\_\_  
Serial number \_\_\_\_\_  
The date of sale 20\_\_\_\_  
The date of receipt of the repair 20\_\_\_\_



Name \_\_\_\_\_  
Serial number \_\_\_\_\_  
Date of sale "" \_\_\_\_\_  
(Filled by seller)

Seal is here

WARRANTY REPAIR CARD  
date of acceptance for repair \_\_\_\_ 20 \_\_\_\_ .  
Application for repair \_\_\_\_\_  
Customer \_\_\_\_\_  
Telephone (address) \_\_\_\_\_  
The reason for petition \_\_\_\_\_  
Tool checked in my presence \_\_\_\_\_  
(The order is filled in the service center) (signature)

Seal is here

Name \_\_\_\_\_  
Serial number \_\_\_\_\_  
The date of sale 20\_\_\_\_  
The date of receipt of the repair 20\_\_\_\_



Name \_\_\_\_\_  
Serial number \_\_\_\_\_  
Date of sale "" \_\_\_\_\_  
(Filled by seller)

Seal is here

WARRANTY REPAIR CARD  
date of acceptance for repair \_\_\_\_ 20 \_\_\_\_ .  
Application for repair \_\_\_\_\_  
Customer \_\_\_\_\_  
Telephone (address) \_\_\_\_\_  
The reason for petition \_\_\_\_\_  
Tool checked in my presence \_\_\_\_\_  
(The order is filled in the service center) (signature)

Seal is here

Name \_\_\_\_\_  
Serial number \_\_\_\_\_  
The date of sale 20\_\_\_\_  
The date of receipt of the repair 20\_\_\_\_



Name \_\_\_\_\_  
Serial number \_\_\_\_\_  
Date of sale "" \_\_\_\_\_  
(Filled by seller)

Seal is here

WARRANTY REPAIR CARD  
date of acceptance for repair \_\_\_\_ 20 \_\_\_\_ .  
Application for repair \_\_\_\_\_  
Customer \_\_\_\_\_  
Telephone (address) \_\_\_\_\_  
The reason for petition \_\_\_\_\_  
Tool checked in my presence \_\_\_\_\_  
(The order is filled in the service center) (signature)

Seal is here



**ГАРАНТИЙНЫЙ ТАЛОН P.I.T.**

Наименование \_\_\_\_\_  
Серийный номер \_\_\_\_\_  
Дата продажи «\_\_» \_\_\_\_\_ 20\_\_ г.  
Дата получения из ремонта «\_\_» \_\_\_\_\_ 20\_\_ г.



Наименование \_\_\_\_\_  
Серийный номер \_\_\_\_\_  
Дата продажи «\_\_» \_\_\_\_\_ 20\_\_ г.  
(Заполняется продавцом)

М.П.

КАРТА ГАРАНТИЙНОГО РЕМОНТА \_\_  
Дата приема в ремонт \_\_ \_\_\_\_\_ 20\_\_ г.  
Заявка на ремонт \_\_\_\_\_  
Заказчик \_\_\_\_\_  
Телефон(адрес) \_\_\_\_\_  
Причина обращения \_\_\_\_\_  
Дата получения из ремонта \_\_ \_\_\_\_\_ 20\_\_ г.  
Инструмент проверен в моем присутствии \_\_\_\_\_  
(Заказ заполняется в сервисном центре) (подпись)

М.П.

Наименование \_\_\_\_\_  
Серийный номер \_\_\_\_\_  
Дата продажи «\_\_» \_\_\_\_\_ 20\_\_ г.  
Дата получения из ремонта «\_\_» \_\_\_\_\_ 20\_\_ г.



Наименование \_\_\_\_\_  
Серийный номер \_\_\_\_\_  
Дата продажи «\_\_» \_\_\_\_\_ 20\_\_ г.  
(Заполняется продавцом)

М.П.

КАРТА ГАРАНТИЙНОГО РЕМОНТА \_\_  
Дата приема в ремонт \_\_ \_\_\_\_\_ 20\_\_ г.  
Заявка на ремонт \_\_\_\_\_  
Заказчик \_\_\_\_\_  
Телефон(адрес) \_\_\_\_\_  
Причина обращения \_\_\_\_\_  
Дата получения из ремонта \_\_ \_\_\_\_\_ 20\_\_ г.  
Инструмент проверен в моем присутствии \_\_\_\_\_  
(Заказ заполняется в сервисном центре) (подпись)

М.П.

Наименование \_\_\_\_\_  
Серийный номер \_\_\_\_\_  
Дата продажи «\_\_» \_\_\_\_\_ 20\_\_ г.  
Дата получения из ремонта «\_\_» \_\_\_\_\_ 20\_\_ г.

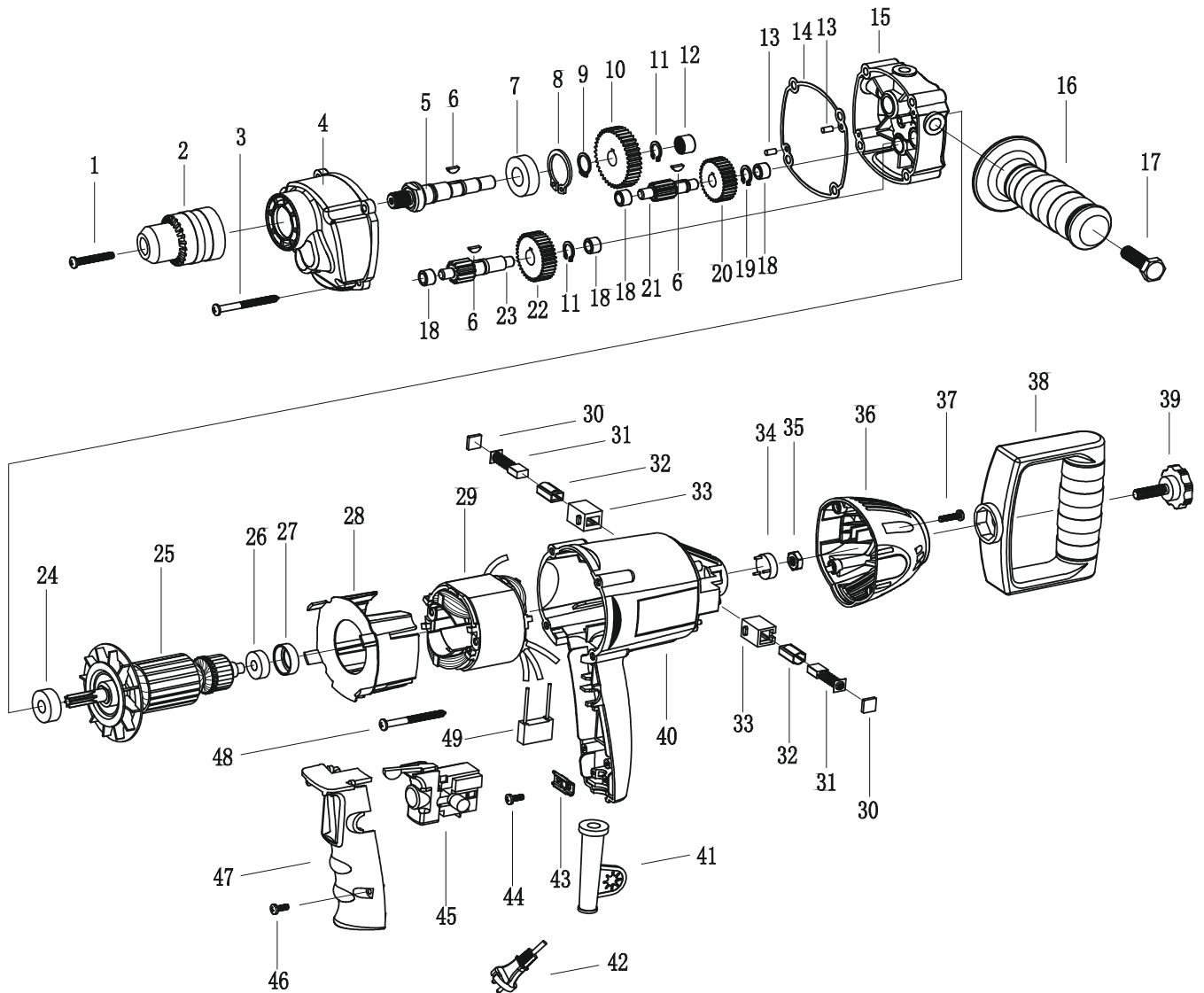


Наименование \_\_\_\_\_  
Серийный номер \_\_\_\_\_  
Дата продажи «\_\_» \_\_\_\_\_ 20\_\_ г.  
(Заполняется продавцом)

М.П.

КАРТА ГАРАНТИЙНОГО РЕМОНТА \_\_  
Дата приема в ремонт \_\_ \_\_\_\_\_ 20\_\_ г.  
Заявка на ремонт \_\_\_\_\_  
Заказчик \_\_\_\_\_  
Телефон(адрес) \_\_\_\_\_  
Причина обращения \_\_\_\_\_  
Дата получения из ремонта \_\_ \_\_\_\_\_ 20\_\_ г.  
Инструмент проверен в моем присутствии \_\_\_\_\_  
(Заказ заполняется в сервисном центре) (подпись)

М.П.







**P.I.T.**<sup>®</sup>

Progressive Innovative Technology

---



**Поставщик:** Китай Xinjiang Longbo Industrial Co., Ltd.

**Адрес производства:** Rm. 602, 6th Floor, No. 531, Weixing Road, Economic And Technological Development Zone, Urumqi, Xinjiang, China

**Уполномоченный представитель:** ООО "Турбо-Тулс"

**Юридический адрес:** 117246, г. Москва, ул. Херсонская, 43  
info@pittools.ru

**Сделано в КНР/Made in China**

