

888 : 888

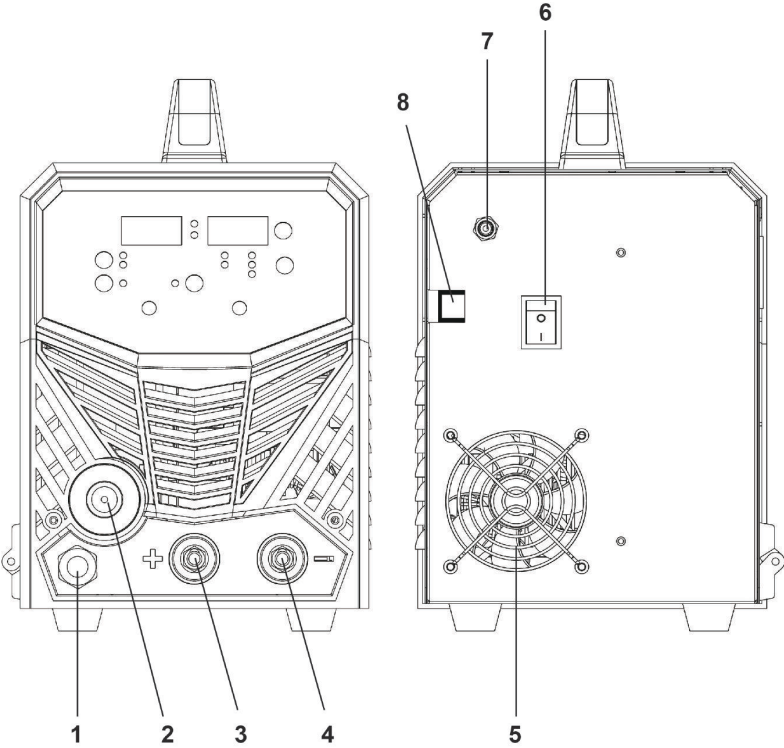


## AUTOMATIC WELDING MACHINE

**Powerful  
Efficient**

Please read the instruction manual carefully before use!  
Пожалуйста, внимательно прочтите инструкцию перед использованием!





## English

### Safety Notes

#### General Power Tool Safety Warnings



**WARNING** Read all safety warnings and all instructions.

Failure to follow the warnings and instructions may result in electric shock, fire and/or serious injury.

**Save all warnings and instructions for future reference.**

The term "power tool" in the warnings refers to your mains-operated (corded) power tool or battery-operated (cordless) power tool.

#### Work area safety

- ▶ **Keep work area clean and well lit.** Cluttered or dark areas invite accidents.
- ▶ **Do not operate power tools in explosive atmospheres, such as in the presence of flammable liquids, gases or dust.** Power tools create sparks which may ignite the dust or fumes.
- ▶ **Keep children and bystanders away while operating a power tool.** Distractions can cause you to lose control.

#### Electrical safety

- ▶ **Power tool plugs must match the outlet. Never modify the plug in any way. Do not use any adapter plugs with earthed (grounded) power tools.** Unmodified plugs and matching outlets will reduce risk of electric shock.
- ▶ **Avoid body contact with earthed or grounded surfaces, such as pipes, radiators, ranges and refrigerators.** There is an increased risk of electric shock if your body is earthed or grounded.
- ▶ **Do not expose power tools to rain or wet conditions.** Water entering a power tool will increase the risk of electric shock.
- ▶ **Do not abuse the cord. Never use the cord for carrying, pulling or unplugging the power tool. Keep cord away from heat, oil, sharp edges and moving parts.** Damaged or entangled cords increase the risk of electric shock.
- ▶ **When operating a power tool outdoors, use an extension cord suitable for outdoor use.** Use of a cord suitable for outdoor use reduces the risk of electric shock.
- ▶ **If operating a power tool in a damp location is unavoidable, use a residual current device (RCD) protected supply.** Use of an RCD reduces the risk of electric shock.

#### Personal safety

- ▶ **Stay alert, watch what you are doing and use common sense when operating a power tool. Do not use a power tool while you are tired or under the influence of drugs, alcohol or medication.** A moment of inattention while operating power tools may result in serious personal injury.
- ▶ **Use personal protective equipment. Always wear eye protection.** Protective equipment such as a dust mask, non-skid safety shoes, hard hat or hearing protection used for appropriate conditions will reduce personal injuries.
- ▶ **Prevent unintentional starting. Ensure the switch is in the off-position before connecting to power source and/or battery pack, picking up or carrying the tool.** Carrying power tools with your finger on the switch or energising power tools that have the switch on invites accidents.
- ▶ **Remove any adjusting key or wrench before turning the power tool on.** A wrench or a key left attached to a rotating part of the power tool may result in personal injury.
- ▶ **Do not overreach. Keep proper footing and balance at all times.** This enables better control of the power tool in unexpected situations.
- ▶ **Dress properly. Do not wear loose clothing or jewellery. Keep your hair, clothing and gloves away from moving parts.** Loose clothes, jewellery or long hair can be caught in moving parts.
- ▶ **If devices are provided for the connection of dust extraction and collection facilities, ensure these are connected and properly used.** Use of dust collection can reduce dust-related hazards.
- ▶ **Do not let familiarity gained from frequent use of tools allow you to become complacent and ignore tool safety principles.** A careless action can cause severe injury within a fraction of a second.
- ▶ **Qualified personnel in accordance with this manual means persons who are familiar with the adjustment, installation, commissioning and maintenance of power tools.**
- ▶ **Only persons over 18 years of age who have read the technical description, operating instructions and safety rules are allowed to work with power tools.**
- ▶ **The product is not intended for use by**

persons (including children) with reduced physical, sensory or mental capabilities, or lack of life experience or knowledge, unless they have been supervised or instructed in the use of power tools by a person responsible for their safety.

### **Power tool use and care**

- ▶ **Do not force the power tool. Use the correct power tool for your application.** The correct power tool will do the job better and safer at the rate for which it was designed.
- ▶ **Do not use the power tool if the switch does not turn it on and off.** Any power tool that cannot be controlled with the switch is dangerous and must be repaired.
- ▶ **Disconnect the plug from the power source and/or the battery pack from the power tool before making any adjustments, changing accessories, or storing power tools.** Such preventive safety measures reduce the risk of starting the power tool accidentally.
- ▶ **Store idle power tools out of the reach of children and do not allow persons unfamiliar with the power tool or these instructions to operate the power tool.** Power tools are dangerous in the hands of untrained users.
- ▶ **Maintain power tools. Check for misalignment or binding of moving parts, breakage of parts and any other condition that may affect the power tool's operation. If damaged, have the power tool repaired before use.** Many accidents are caused by poorly maintained power tools.
- ▶ **Keep cutting tools sharp and clean.** Properly maintained cutting tools with sharp cutting edges are less likely to bind and are easier to control.
- ▶ **Use the power tool, accessories and tool bits etc. in accordance with these instructions, taking into account the working conditions and the work to be performed.** Use of the power tool for operations different from those intended could result in a hazardous situation.
- ▶ **Keep handles and grasping surfaces dry, clean and free from oil and grease.** Slippery handles and grasping surfaces do not allow for safe handling and control of the tool in unexpected situations.

### **Service**

- ▶ **Have your power tool serviced by a**

**qualified repair person using only identical replacement parts.** This will ensure that the safety of the power tool is maintained.

### **Safety instructions for electric welding machine**

- ▶ **Be sure to make sure that the electrical outlet that the inverter is connected to is grounded.**
- ▶ **Do not touch exposed electrical parts and electrode with exposed parts of the body, wet gloves or clothing.**
- ▶ **Do not start work until you are sure that you are insulated from the ground and from the workpiece.**
- ▶ **Make sure you are in a safe position.**
- ▶ **Do not inhale welding fumes, they are harmful to health.**
- ▶ **Adequate ventilation must be provided in the workplace or special hoods must be used to remove gases generated during welding.**
- ▶ **Use a suitable face shield, light filter and protective clothing to protect your eyes and body.** Clothing should be fully buttoned so that sparks and splashes do not fall on the body.
- ▶ **Prepare a suitable face shield or curtain to protect the viewer.** To protect other people from arc radiation and hot metals, you must enclose the work area with a fireproof fence.
- ▶ **All walls and floors in the work area must be protected from possible sparks and hot metal to avoid smoldering and fire.**
- ▶ **Keep flammable materials (wood, paper, rags, etc.) away from the workplace.**
- ▶ **When welding, it is necessary to provide the workplace with fire extinguishing means.**
- ▶ **IT IS FORBIDDEN:**
  - Use the semiautomatic welding machine in damp rooms or in the rain;
  - Use electrical cables with damaged insulation or poor connections;
  - Carry out welding work on containers, containers or pipes that contain liquid or gaseous hazardous substances;
  - Carry out welding work on pressure vessels;
  - Work clothing stained with oil, grease, gasoline and other flammable liquids.
- ▶ **Use headphones or other ear protection.**

- ▶ Warn bystanders that noise is harmful to hearing.
- ▶ If problems occur during installation and operation, please follow this instruction manual to check.
- ▶ If you do not fully understand the manual or cannot solve the problem with the manual, you should contact the supplier or service center for professional help.
- ▶ The machine must be operated in dry conditions with a humidity level not exceeding 90%.
- ▶ The ambient temperature should be between -10 and 40 degrees Celsius.
- ▶ Avoid welding in the sun or under water droplets. Do not allow water to enter the inside of the machine.
- ▶ Avoid welding in dusty or corrosive gas environments.
- ▶ Avoid gas welding in a strong air flow environment.
- ▶ A worker who has a pacemaker installed should consult a doctor before welding. Because the electromagnetic field can interfere with the normal operation of the pacemaker.

## Product Description and Specifications



**Read all safety warnings and all instructions.** Failure to follow the warnings and instructions may result in electric shock, fire and/or serious injury.

### Intended Use

Semiautomatic inverter type direct current welding machine (hereinafter referred to as the product) is designed for welding using the MIG / MAG methods (welding with electrode wire in a shielded gas) and MMA (manual arc welding with stick fusible covered electrodes). The product can be used for welding various types of metals.

### Product Features

The numbering of the components shown refers to the representation of the power tool on the graphic pages.

1. Polarity reversing cable
2. Torch connection socket
3. Power connector "+"
4. Power connector "-"
5. Fan
6. Power button
7. Connection for shielding gas
8. Power cable inlet

## Technical Data

Model	PMIG220-C2
Rated voltage	190-250V~ / 50Hz
Rated power	7500 W
Output current range	10-220 A
Wire diameter (MIG)	Ø0.6-1.0mm (.023" - .035")
Electrode diameter (MMA)	Ø2.5-5.0mm (3/32"-3/16")
Duty cycle (DC)	25 °C 60%
Weight	14.5 kg

## Contents of delivery

Automatic welding machine	1pc
Cable with electrode holder	1pc
Cable with grounding terminal	1pc
Torch cable	1pc
Gloves	1 set
Electrod weldio	10 pcs
Welding mask Chameleon	1 pc
Instruction manual	1pc

### Note

The text and numbers of the instructions may contain technical errors and typographical errors.

Since the product is constantly being improved, P.I.T. reserves the right to make changes to the specifications and product specifications specified here without prior notice.

## Preparation for work

Place the machine on a flat surface. The workplace must be well ventilated, the welding machine must not be exposed to dust, dirt, moisture and active steam. To ensure adequate ventilation, the distance from the apparatus to other objects must be at least 50 cm.

**ATTENTION!** To avoid electric shock, use only electrical mains with a protective earth conductor and grounded receptacles. DO NOT alter the plug if it does not fit into the outlet. Instead, a qualified electrician must install an appropriate outlet.

## Ensuring the safety of preparation for work

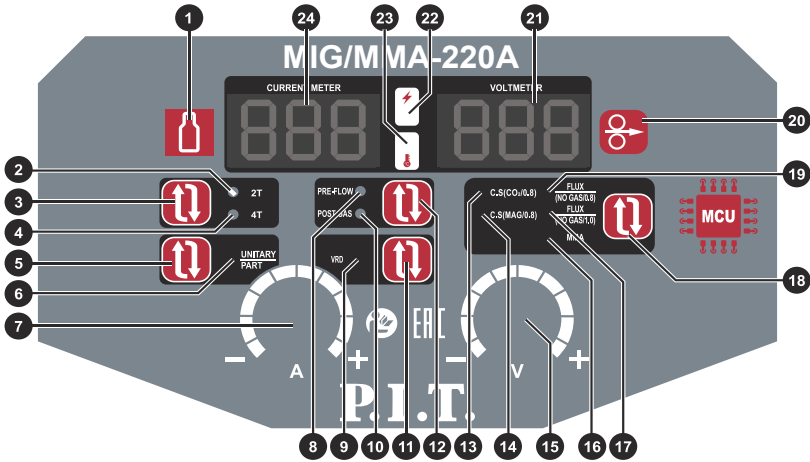
Before turning on the product, set the switch to the "0" position, and the current regulator to the extreme left position.

Prepare for work:

- Prepare the parts to be welded;
- Provide adequate ventilation in the workplace;
- Make sure that there are no solvent va-

- pors, flammable, explosive and chlorine-containing substances in the air;
  - Check all connections to the product; they must be made correctly and securely;
  - Check the welding cable, if damaged it must be replaced;
  - The power supply must be equipped with protective systems.
- If you encounter problems that you cannot cope with, contact the service center.

## Controls and Indicators

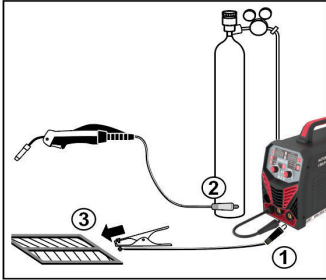


1. Gas test function: used to check and adjust the shielding gas flow on the regulator of the gas reducer before starting the welding process.
2. Welding mode indicator 2T. In 2T mode, pressing the torch control button starts the welding process, releasing it aborts.
3. Button for switching modes 2T / 4T.
4. 4T welding mode indicator. In 4T mode, welding starts after a short press of the control button on the torch and stops after a second press. This function allows you not to hold down the button on the torch when welding long seams.
5. Button for switching the mode of unified (automatic) / partial (manual) adjustment.
6. Auto / Manual Tuning Mode Indicator: The indicator lights up in manual tuning mode. Automatic adjustment means that the welding current and welding voltage are adjusted synchronously (automatically), while manual adjustment means that the welding current and voltage are set manually (manual adjustment is for professional use)
7. Current regulator
8. Gas pre-purge mode indicator: gas is supplied first, then welding is carried out. Allows air to be expelled from the torch and a protective atmosphere is created at the welding site before the arc is ignited.
9. VRD status indicator: anti-shock mode, when the indicator is on, it is in anti-shock mode, and the output voltage is lower than the safe voltage.
10. Gas purge mode indicator light: continues to supply gas to cool the electrode and ensure high-quality crystallization of the welding joint in the protective sheath.
11. VRD mode activation/cancellation button
12. Button for selecting the setting of preliminary and final blowing with gas.
13. Light indicator for carbon dioxide welding using 0.8mm welding wire.
14. Mixed gas welding mode indicator light, 0.8mm welding wire.
15. Voltage / inductance adjustment (in MIG, MAG modes)
16. MMA function indicator: when the indicator is on, the welder is in manual welding (MMA) mode.
17. Operating mode indicator with flux-cored welding wire 1.0 mm
18. MMA, MIG function switch button
19. Indicator of work with flux-cored welding wire 0.8 mm

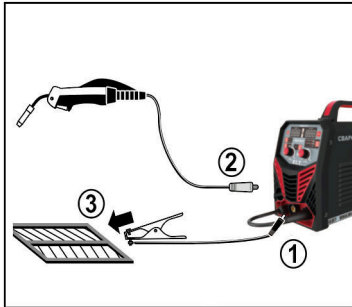
- 20. Button for turning on the wire feed mechanism (wire broaching)
- 21. Voltmeter display
- 22. Indicator of inclusion.
- 23. Indicator of thermal protection.
- 24. Ammeter display

## Welding machine connection diagram

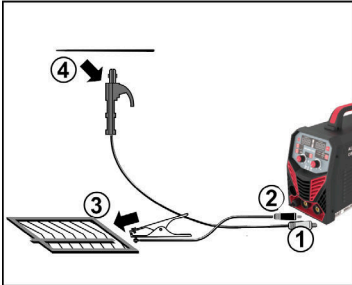
Welding with solid wire (fig. 1)



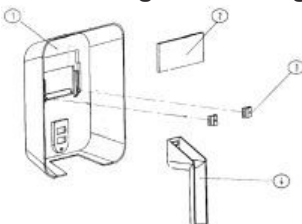
Welding with flux-cored wire (Figure 2)



Welding with an electrode (Figure 3)



## Assembling the welding shield



## Preparing for MIG / MAG Welding

Select the required type of welding using the button 15. Also, use the switch 2 to set the welding current on / off mode (2T - welding is carried out with the torch trigger pressed, 4T - the first press of the torch trigger - the start of welding, the second press - the end of welding).

The VRD function is responsible for lowering the open circuit voltage of the source to 12-24 volts safe for humans, i.e. voltage drops when the machine is turned on, but no welding is performed. As soon as the welding process starts, the VRD restores the operating voltage parameters.

The VRD option is relevant in such cases:

The device is operated in conditions of high air humidity; high requirements for safety at the facility; use of welding equipment in small areas.

## Burner

The MIG / MAG welding torch consists of a base, a connecting cable and a handle. The base connects the welding torch and wire feeder. Connection cable:

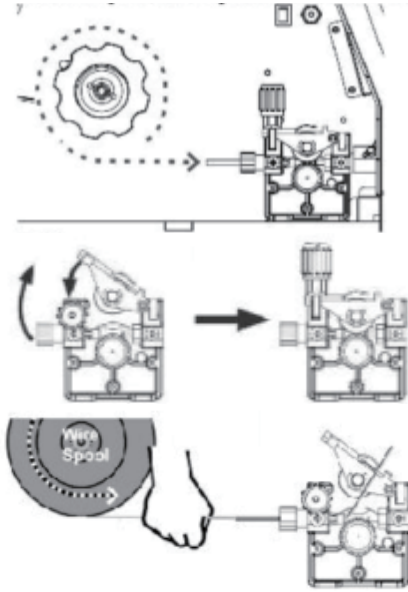
A nylon-covered liner is placed in the center of the hollow cable. The inner part of the channel is for wire feeding. The free space between the duct and the hollow cable is used to supply the shielding gas, while the hollow cable itself is used to supply the current.

**ATTENTION!** Before assembling and disassembling the burner or before replacing components, disconnect the power supply.

## Coil installation

Select the required wire according to the welding procedure. The wire diameter must match the drive roll, wire liner and contact tip. Open the side cover of the machine to insert the wire spool. Unscrew the reel seat adjusting screw, put the spool on the reel seat and fix it with the same screw. The end of the wire should be under the drum, opposite the wire feeder. Use the adjusting screw to adjust the retention force of the spool. The coil should rotate freely, but no wire loops should form during operation. If hinges are formed, tighten the adjusting screw more. If the spool is difficult to turn, loosen the screw.





## Inserting the wire into the wire liner

Loosen and lower the adjuster towards you. Raise the pinch roller; Cut off the bent end of the wire and thread the wire into the wire liner of the feeder, align it in the channel of the drive roll. Make sure the bore of the roller matches the diameter of the wire; Place the wire in the welding torch connector bore, release the pinch roller, and return the adjuster to the vertical position.

- Adjust the pressure of the pinch roller.
- When welding with steel wire, the V-groove of the drive roll must be used;
  - When using flux cored wire, the gear groove of the drive roll must be used (availability depends on the model and equipment of the device).
  - When using aluminum wire, the U-groove of the drive roll must be used (availability depends on the model and equipment of the machine).

## Wire feed into the welding arm

Unscrew the welding tip on the torch. To feed the wire into the torch sleeve, temporarily turn on the power by switching the switch 6 and press the button 16 (wire feed) until it fills the channel of the welding sleeve and leaves the torch. Disconnect the power supply. Note! For free passage of the wire in

the cable, straighten it along its entire length. When feeding the wire, make sure it moves freely in the drive roll channel and that the feed speed is uniform. If the feed rate is uneven, adjust the pressure of the pinch roller. Match and screw in a contact tip that matches the wire diameter and install the nozzle.

## Semi-automatic welding modes

This machine can work with two types of welding wires: solid copper-coated wire in a shielding gas environment, and self-shielded flux-cored wire, in which case a gas cylinder is not required.

Different types of filler wire require a different wiring diagram.

## Gas welding (GAS) with solid copper-plated wire:

- Connect the short cable with the connector located at the bottom of the front panel of the device to the left connector on the front panel (“+” terminal).
- Fix the grounding terminal on the work piece to be welded, connect the connector on the other end of the cable to the right connector on the front panel (“-” terminal).
- Check the markings on the feed roll according to the wire diameter being used.
- Insert the spool of wire into the slot.
- Feed the wire into the torch by folding back the roll clamp and inserting the wire into the channel through the recess in the roll.
- Close the roller clamp by slightly tightening the clamping screw.
- Make sure to match the hole diameter of the gun tip to the wire diameter.
- Turn on the machine and run the wire until it exits the tip by pressing the trigger on the torch.
- Connect the hose from the gas regulator to the fitting on the back of the device.
- Open the valve on the shielding gas cylinder, press the torch trigger and adjust the gas flow with the reducer (usually the gas flow is set as follows: gas flow (l / min) = Wire diameter (mm) x 10.
- Set the required welding mode using the controls.
- Begin welding.

## Welding without gas (NO GAS) with self-shielded flux-cored wire:

- Connect the short cable with the connector located at the bottom of the front panel of the device to the right connector on the



front panel (“-” terminal).

- Fix the grounding terminal on the work piece to be welded, connect the connector on the other end of the cable to the left connector on the front panel (“+” terminal).
- Check the markings on the feed roll according to the wire diameter being used.
- Insert the spool of wire into the slot.
- Feed the wire into the torch by folding back the roll clamp and inserting the wire into the channel through the recess in the roll.
- Close the roller clamp by slightly tightening the clamping screw.
- Make sure to match the hole diameter of the gun tip to the wire diameter.
- Turn on the machine and run the wire until it exits the tip by pressing the trigger on the torch.
- Set the required welding mode using the controls.

## **Welding process**

This welding machine has automatic and manual adjustment of current and voltage. The setting mode is switched by the button (4).

### **Auto mode**

In automatic mode, the setting is carried out using the left knob (6). When it rotates in one direction or the other, the current and voltage parameters change synchronously in accordance with the practice of using this type of welding.

The wire feed speed is related to the strength of the welding current and is controlled simultaneously with it.

The knob (11) can be used to change the value of the inductance to obtain the desired arc hardness.

After preliminary installation, it is necessary to carry out a test welding.

### **Manual mode**

In manual mode, the regulator (6) regulates the wire feed speed with the current strength. The regulator (11) regulates the arc voltage.

As the welding current increases, the wire speed increases. As the arc voltage increases, the melting rate of the wire increases. If you set a high current value and a low voltage value, then the speed of the wire will be high, but it will not have time to melt. If you do the opposite, then the wire will begin to melt, almost without leaving the copper insert. Therefore, when setting the values of current and voltage of the welding arc, be careful. For training, contact specialized educational insti-

tutions.

### **Inductance adjustment**

In order to reduce spatter and get a smoother and cleaner seam, the adjustable inductance function has been added to the machines.

Inductance - the relationship between the width and height of the seam, the depth of penetration and the amount of spatter. The smaller the inductance value, the harder the arc and vice versa.

The right knob is used to adjust the inductance.

Note! The inductance has no units of measurement, therefore, arbitrary units are applied to the panels.

### **Adjustment pre and post gas**

PRE FLOW mode - preliminary purge of the welding zone with shielding gas, is activated until the moment of ignition of the arc. Due to this, the process of arc excitation is carried out in a gas protective environment. As a result, the beginning of the formation of the seam and the ignition of the arc is carried out without exposure to oxygen, the oxidation of the weld pool is excluded, and the service life of the consumables of the burner is increased. POST GAS mode – final purge of the welding zone with shielding gas, which is activated after the welding arc is switched off. Due to this, the welding seam completely solidifies in a gas protective environment, excluding the influence of the atmosphere, which is especially important for aluminum and stainless steel.

The presence of the Pre and Post Gas functions makes it possible to exclude the oxidation of the seam, the formation of voids and cracks at the beginning and end of the welding cycle. The duration of the Pre and Post Gas purge can be adjusted separately using the regulator.

Set the welding current based on the thickness of the material to be welded and the diameter of the electrode wire used. The wire feed speed is automatically synchronized with the welding current. Move the torch to the workpiece so that the wire does not touch the workpiece, but is at a distance of several millimeters from it. Press the torch button to light the arc and start welding. The pressed key ensures the feed of the electrode wire and the flow of shielding gas set by the reducer.

The length of the arc and the speed of movement of the electrode affect the shape of the weld.

## Replaceable polarity operation

Initially, the power contact of the welding torch is connected to “+” on the polarity reversal module. This is REVERSE POLARITY. It is used for welding thin sheet steel to stainless steels, alloy steels and high carbon steels, which are very sensitive to overheating.

During DIRECT POLARITY welding, most of the heat is concentrated on the product itself, which causes the root of the weld to deepen. To change the polarity from reverse to direct, it is necessary to switch the output of the power wire on the module from “+” to “-”. And in this case, connect the cable with the earth clamp to the workpiece by inserting the power cable lug into the “+” terminal on the front panel.

For welding with flux cored wire without shielding gas, DIRECT POLARITY is used. In this case, more heat goes to the product, and the wire and the welding torch channel heat up less.

### At the end of welding:

- Remove the torch nozzle from the seam, interrupting the welding arc;
- Release the torch trigger to stop the wire and gas feed;
- Disconnect the gas supply by shutting off the gas supply valve from the cylinder reducer;
- Move the switch to the “off” position - off

### Manual arc welding mode (mma)

1. Connect the electrode holder to the “-” terminal of the device, the grounding cable to the “+”

terminal of the device (direct polarity), or vice versa, if required by the welding conditions and / or the brand of electrodes:

In manual arc welding, two types of connection are distinguished: direct polarity and reverse. Connection “direct” polarity: electrode - “minus”, welded part - “plus”. Such a connection and a straight polarity current are appropriate for cutting metal and welding large thicknesses that require a large amount of heat to warm them up.

“Reverse” polarity (electrode - “plus”, part - “minus”) is used when welding small thicknesses and thin-walled structures. The fact is that at the negative pole (cathode) of an electric arc, the temperature is always lower than at the positive (anode), due to which the electrode melts faster, and the heating of the part decreases - and the danger of its burnout is also reduced.

2. Set the mode switch to MMA position.  
3. Set the welding current according to the type and diameter of the electrode and start welding.

4. The welding current is regulated by the current regulator, the actual value of the current during operation is displayed on the ammeter display.

5. Excitation of the arc is carried out by briefly touching the end of the electrode to the product and withdrawing it to the required distance. Technically, this process can be done in two ways:

- By touching the electrode back to back and pulling it up;
- By striking the end of the electrode like a match on the surface of the product.

**Attention!** Do not knock the electrode on the working surface when trying to ignite the arc, as this can damage it and further complicate the ignition of the arc.

6. As soon as the arc strikes, the electrode must be held at such a distance from the workpiece that corresponds to the diameter of the electrode. To obtain a uniform seam, it is further necessary to maintain this distance as constant as possible. It should also be remembered that the inclination of the electrode axis should be approximately 20-30 degrees, for better visual control of the welding seam guidance.

7. When finishing the weld, pull the electrode back a little to fill the welding crater, and then lift it up sharply until the arc disappears.

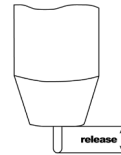
**Welding parameter tables (for reference only)**

Thickness metal, mm	Recommended wire diameter, mm						
	Solid wire				Flux wire		
	0,6	0,8	0,9	1,0	0,8	0,9	1,2
0,6	+						
0,75	+	+			+		
0,9	+	+			+	+	
1,0	+	+	+		+	+	
1,2		+	+		+	+	+
1,9		+	+	+	+	+	+
3,0		+	+	+		+	+
5,0			+	+		+	+
6,0			+	+			+
8,0				+			+
10,0				+			+
12,0				+			+

For high-quality welding of metal with a thickness of 5 mm or more, it is necessary to chamfer the end edge of the parts at the point of their joining or to weld in several passes.

**Gas flow settings for MIG, MAG welding**

Diameter wire, mm	0,5 – 0,8	1 – 1,4	1,6 – 2	2,5 – 3
Release wire, mm	7 – 10	7 – 14	14 – 20	16 – 20
Consumption gas, r / min	5 – 8	8 – 16	15 – 20	20 – 30

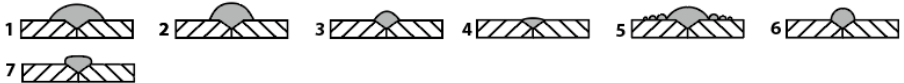


**Parameters of current strength and diameter of electrodes when welding MMA**

Electrode diameter, mm	Welding current, A	
	Minimum	Maximum
1,6	20	50
2,0	40	80
2,5	60	110
3,2	80	160
4,0	120	200

**Weld seam characteristics**

Depending on the amperage and speed of the electrode, you can get the following results:



1. too slow movement of the electrode
2. a very short arc
3. Very low welding current
4. too fast electrode movement
5. very long arc
6. Very high welding current
7. normal seam

We recommend that you carry out a few test welds to gain some practical skills.

**Turning off the welding machine.****Thermal protection**

Your welding machine is equipped with thermal protection to prevent overheating of the electronic parts of the machine. If the temperature is exceeded, the thermal switch will turn off the device. The operation of the thermal protection is indicated by the glow of the indicator.

**ATTENTION!** When the temperature returns to normal operating temperature, voltage will be supplied to the electrode automatically. Do not leave the product unattended during this time, but the electrode holder lying on the ground or on the parts to be welded.

We recommend that you turn off the device with the switch during this time.

It is normal for the product to heat up during operation.

**ATTENTION!** In order to avoid breakdowns or premature failure of the welding machine (especially with frequent tripping of the thermal switch), before continuing to work, find out the reason for the tripping of the thermal protection. To do this, disconnect the device from the mains and refer to the "Possible malfunctions and methods of their elimination" section of this Manual.

**Possible malfunctions and methods of their elimination**

Monitor the good condition of the product. In case of appearance of suspicious odors, smoke, fire, sparks, turn off the device, disconnect it from the mains and contact a specialized service center.

If you find something abnormal in the operation of the product, stop using it immediately.

Due to the technical complexity of the product, the limit state criteria cannot be determined by the user independently.




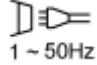
In the case of an apparent or suspected malfunction, refer to the section "Possible malfunctions and methods of their elimination". If there is no malfunction in the list or.

If you could not fix it, contact a specialized service center.

All other work (including repair) should be carried out only by specialists of service centers.

	<b>Problem</b>	<b>Possible reason</b>	<b>Solution</b>
1	Indicator is on thermal protection	Voltage too high	Turn off the power source; Check the main food; Turn on the machine again when the voltage is normal.
		Voltage too low	
		Poor air flow	Improve air flow
		The thermal protection of the device has been triggered	Let the device cool down
2	No wire feed	Wire feed knob at minimum	Adjust
		Sticking current tip	Replace tip
		The feed rollers do not match the wire diameter	Put on the right roller
3	The fan does not work or rotates slowly	Power button does not work	Please contact the service center
		The fan is broken	
		Poor fan connection	Check the connection
4	Unstable arc, large spatter	Poor part contact	Improve contact
		Network cable too thin, power is lost	Change the network cable
		Input voltage too low	Increase the input voltage with a regulator
		Burner parts worn out	Replace burner parts
5	The arc does not strike	Broken welding cable	Check the cable
		The part is dirty, in paint, in rust	Clean the part
6	No shielding gas	The burner is not connected correctly	Connect the burner correctly
		Gas hose kinked or damaged	Check gas hose
		Hose connections are loose	Check hose connections
7	Other		Please contact the service center

### Graphic symbols and technical data

$U_0 \dots V$	This symbol shows the secondary no-load voltage (in volts).
X	This symbol shows the rated duty cycle.
$I_2 \dots A$	This symbol shows the welding current in AMPS.
$U_2 \dots V$	This symbol shows the welding voltage in VOLTS.
$U_1$	This symbol shows the rated supply voltage.
$I_{1max} \dots A$	This symbol shows the welding unit's maximum absorbed current in AMP.
$I_{1eff} \dots A$	This symbol shows the welding unit's maximum absorbed current in AMP.
IP21S	This symbol shows the welding unit's protection class.
	This symbol shows that the welding unit is suitable for use in environments where there is a high risk of electric shocks.
	This symbol shows read the operating instructions carefully before operation.
	This symbol shows the welding unit is a single phased D.C. welder.
	This symbol shows the supply power phase and line frequency in Hertz.

## Maintenance and Service

### Maintenance and Cleaning

- ▶ **Pull the plug out of the socket before carrying out any work on the power tool.**
- ▶ **Remove dust by dry and clean compressed air regularly.** If welding machine is operated in environment where strong smoke and polluted air is present, the machine needs to be cleaned at least once a month.
- ▶ **Pressure of compressed air must be within reasonable range in order to prevent damage to small and sensitive components in the machine.**
- ▶ **Check internal circuit of welding machine regularly and make sure the circuit connections are connected correctly and tightly (especially plug-in connector and components).** If scale and rust are found, please clean it, and connect again tightly.
- ▶ **Prevent water and steam from entering into the machine. If that happens, please blow it dry and check insulation of machine.**
- ▶ **If welding machine will not be used for long time, it must be put into the packing box and stored in dry and clean environment.**

In order to avoid safety hazards, if the power supply cord needs to be replaced, this must be done by P.I.T. or by an after-sales service centre that is authorised to repair P.I.T. power tools.

### Service

- ▶ **Have your power tool repaired only by qualified personnel and only with original replacement parts. This ensures the safety of the power tool.**

The list of authorized service centers can be viewed on the official website of P.I.T. by the link: <https://pittools.ru/services/>

### Storage and transportation

The welding machine should be stored in closed rooms with natural ventilation at temperatures from 0 to + 40 ° C and relative humidity up to + 80%. The presence of acid vapors, alkalis and other aggressive impurities in the air is not allowed.

Products can be transported by any type of closed transport in the manufacturer's packaging or without it, while preserving the product from mechanical damage, atmospheric precipitation.

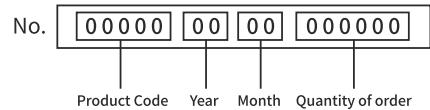
## Dispose of waste



Damaged power tools, batteries, accessories and waste packaging materials must be recycled and reused in an environmentally friendly manner.

Do not throw power tools and accumulators / batteries into general household waste!

## Product serial number interpretation serial number



The date of manufacture of the product is encoded in the serial number printed on the body of the tool. The first 2 digits indicate the year of issue, the next 2 digits indicate the month.

## TERMS OF WARRANTY SERVICE

To customers (users) of warranty service:

1. This warranty certificate is the only document that confirms your right to free warranty service. If this proof is not presented, no claims will be accepted. Warranty certificates cannot be recovered if lost or damaged.
2. It is required to provide a valid and legal document for purchasing the product. The document must have the name or seal of the sales company; at the same time, state the full model name of the purchased P.I.T. product, the serial number on the nameplate of the fuselage, and the date of purchase, and the required warranty. The whole machine and its accessories.

The warranty period:

1. The warranty period of the product is 12 months from the date of sale. During the warranty period, the service department will eliminate manufacturing defects free of charge and replace the parts that fail due to the manufacturer's fault. In warranty repair, an equivalent operable product is not provided. Replaceable parts become the property of the service provider.
2. The wear degree on the diameter of the motor rotor commutator is less than 0.4 mm (except for brushless motor tools), and the internal damage caused by the quality of the tool belongs to the warranty.

The following situations occur during the warranty period, which is not covered by the warranty:

1. In the absence of any valid legal documents (invoices) such as warranty certificates

and warranty cards to prove the date of purchase.

2. Damage caused by natural wear and overload. (For example, motor rotor and stator failure caused by overload, scorching or melting of the primary winding of the welding machine transformer, charging or starting the charging device, melting of internal parts, burning of electronic circuit boards, etc.)

3. The casing and power cord are mechanically damaged, as well as damage caused by corrosive media and high and low temperature, foreign objects entering the ventilation network of the motor, and damage caused by improper storage (corrosion of metal parts);

4. Damage caused by improper carrying, transportation and storage by users.

5. Products that are opened, repaired, replaced or modified by users themselves.

6. Any damage caused by indiscriminate use, beyond the scope of use of the tool, and not in accordance with the instructions for use and maintenance. (see chapter "Safety Precautions" in the manual);

7. The damage caused by the following situations is not guaranteed due to improper use and non-quality problems:

(1) When the power tool is running at high speed, use the braking device to forcibly stop the rotation.

(2) Excessive pressure is applied to the tool during the use of the tool.

(3) Use the tool outside the scope of its purpose and capabilities.

(4) Damage caused by the tool working in a dusty environment for a long time without timely maintenance of the tool.

(5) Change the rotation direction of the work head before the tool stops completely.

(6) Shock the battery or charger and replace the plug of the charger without permission, causing damage to the battery or charger.

(7) Damage caused by two-stroke gasoline tools not being fueled in the correct proportions.

The warranty does not include:

1. Replacement of accessories (accessories and components) such as batteries, discs, blades, drills, chucks, chains, sprockets, collet clamps, guide rails, tension and fastening elements, dresser heads, grinders And belt sander base machine, hexagonal head, etc.;

2. Wearing parts, such as: carbon brushes, transmission belts, seals, protective covers, guide rollers, guide rails, rubber seals, bear-

ings, toothed belts and wheels, shanks, brake belts, starter ratchets and ropes, piston rings Wait.

The above accessories are replaced with paid services during the warranty period;



## Русский

Указания по технике безопасности  
Общие указания по технике безопасно-  
сти для электроинструментов



### ПРЕДУПРЕЖДЕНИЕ

Прочтите все указания и инструк-  
ции по технике безопасности.

Несоблюдение указаний и инструкций по  
технике безопасности может стать причи-  
ной поражения электрическим током, пожа-  
ра и тяжелых травм.

**Сохраняйте эти инструкции и указания  
для будущего использования.**

Использованное в настоящих инструкциях  
и указаниях понятие «электроинструмент»  
распространяется на электроинструмент с  
питанием от сети (с сетевым шнуром) и на  
аккумуляторный электроинструмент (без  
сетевого шнура).

### Безопасность рабочего места

- ▶ Содержите рабочее место в чистоте и  
хорошо освещенным. Беспорядок или  
неосвещенные участки рабочего места  
могут привести к несчастным случаям.
- ▶ Не работайте с этим электроинстру-  
ментом во взрывоопасном помеще-  
нии, в котором находятся горючие  
жидкости, воспламеняющиеся газы  
или пыль. Электроинструменты искрят,  
что может привести к воспламенению  
пыли или паров.
- ▶ Во время работы с электроинстру-  
ментом не допускайте близко к Ва-  
шему рабочему месту детей и посто-  
ронних лиц. Отвлекшись, Вы можете  
потерять контроль над электроинстру-  
ментом.

### Электробезопасность

- ▶ Штепсельная вилка электроинстру-  
мента должна подходить к штепсель-  
ной розетке. Ни в коем случае не  
изменяйте штепсельную вилку. Не  
применяйте переходные штекеры  
для электроинструментов с защит-  
ным заземлением. Неизменные  
штепсельные вилки и подходящие  
штепсельные розетки снижают риск по-  
ражения электротоком.
- ▶ Предотвращайте телесный контакт  
с заземленными поверхностями, как  
то: с трубами, элементами отопления,  
кухонными плитами и холодильника-  
ми. При заземлении Вашего тела повы-  
шается риск поражения электротоком.
- ▶ Защищайте электроинструмент от до-

жда и сырости. Проникновение воды  
в электроинструмент повышает риск  
поражения электротоком.

- ▶ Не разрешается использовать шнур  
не по назначению, например, для  
транспортировки или подвески элек-  
троинструмента, или для вытягива-  
ния вилки из штепсельной розетки.  
Защищайте шнур от воздействия  
высоких температур, масла, острых  
кромки или подвижных частей элек-  
троинструмента. Поврежденный или  
спутанный шнур повышает риск пораже-  
ния электротоком.
- ▶ При работе с электроинструментом  
под открытым небом применяйте  
пригодные для этого кабели удлин-  
нители. Применение пригодного для  
работы под открытым небом кабеля  
удлинителя снижает риск поражения  
электротоком.
- ▶ Если невозможно избежать приме-  
нения электроинструмента в сыром  
помещении, подключайте электроин-  
струмент через устройство защитного  
отключения. Применение устройст-  
ва защитного отключения снижает риск  
электрического поражения.

### Безопасность людей

- ▶ Будьте внимательными, следите за  
тем, что Вы делаете, и продуманно  
начинайте работу с электроинстру-  
ментом. Не пользуйтесь электроин-  
струментом в усталом состоянии  
или если Вы находитесь в состоянии  
наркотического или алкогольного  
опьянения или под воздействием ле-  
карств. Один момент невнимательно-  
сти при работе с электроинструментом  
может привести к серьезным травмам.
- ▶ Применяйте средства индивидуаль-  
ной защиты и всегда защитные очки.  
Использование средств индивидуальной  
защиты, как то: защитной маски, обуви  
на нескользящей подошве, защитного  
шлема или средств защиты органов  
слуха, – в зависимости от вида работы  
с электроинструментом снижает риск  
получения травм.
- ▶ Предотвращайте непреднамеренное  
включение электроинструмента.  
Перед подключением электроин-  
струмента к электропитанию и/или к  
аккумулятору убедитесь в выключен-  
ном состоянии электроинструмента.  
Удержание пальца на выключателе при-

транспортировке и подключение к сети питания включенного электроинструмента чревато несчастными случаями.

- ▶ **Убирайте установочный инструмент или гаечные ключи до включения электроинструмента.** Инструмент или ключ, находящийся во вращающейся части электроинструмента, может привести к травмам.
- ▶ **Не принимайте неестественное положение корпуса тела. Всегда занимайте устойчивое положение и сохраняйте равновесие.** Благодаря этому Вы можете лучше контролировать электроинструмент в неожиданных ситуациях.
- ▶ **Носите подходящую рабочую одежду. Не носите широкую одежду и украшения. Держите волосы, одежду и рукавицы вдали от движущихся частей.** Широкая одежда, украшения или длинные волосы могут быть затянуты вращающимися частями.
- ▶ **При наличии возможности установки пылеотсасывающих и пылесборных устройств проверяйте их присоединение и правильное использование.** Применение пылеотсоса может снизить опасность, создаваемую пылью.
- ▶ **Хорошее знание электроинструментов, полученное в результате частого их использования, не должно приводить к самоуверенности и игнорированию техники безопасности обращения с электроинструментами.** Одно небрежное действие за долю секунды может привести к серьезным травмам.
- ▶ **ВНИМАНИЕ!** В случае возникновения перебоя в работе электроинструмента вследствие полного или частичного прекращения энергоснабжения или повреждения цепи управления энергоснабжением установите выключатель в положение Выкл., убедившись, что он не заблокирован (при его наличии). Отключите сетевую вилку от розетки или отсоедините съёмный аккумулятор. Этим предотвращается неконтролируемый повторный запуск.

### Применение электроинструмента и обращение с ним

- ▶ **Не перегружайте электроинструмент. Используйте для Вашей работы предназначенный для этого электроинструмент.** С подходящим электроинструментом Вы работаете лучше и

надежнее в указанном диапазоне мощности.

- ▶ **Не работайте с электроинструментом при неисправном выключателе.** Электроинструмент, который не поддается включению или выключению, опасен и должен быть отремонтирован.
- ▶ **Храните электроинструменты в недоступном для детей месте. Не разрешайте пользоваться электроинструментом лицам, которые не знакомы с ним или не читали настоящих инструкций.** Электроинструменты опасны в руках неопытных лиц.
- ▶ **Тщательно ухаживайте за электроинструментом. Проверяйте безупречную функцию и ход движущихся частей электроинструмента, отсутствие поломок или повреждений, отрицательно влияющих на функцию электроинструмента. Поврежденные части должны быть отремонтированы до использования электроинструмента.** Плохое обслуживание электроинструментов является причиной большого числа несчастных случаев.
- ▶ **Держите режущий инструмент в заточенном и чистом состоянии.** Заботливо ухоженные режущие инструменты с острыми режущими кромками режут легче и их легче вести.
- ▶ **Применяйте электроинструмент, принадлежности, рабочие инструменты и т. п. в соответствии с настоящими инструкциями. Учитывайте при этом рабочие условия и выполняемую работу.** Использование электроинструментов для непредусмотренных работ может привести к опасным ситуациям.
- ▶ **Держите ручки и поверхности захвата сухими и чистыми, следите чтобы на них чтобы на них не было жидкой или консистентной смазки.** Скользкие ручки и поверхности захвата препятствуют безопасному обращению с инструментом и не дают надежно контролировать его в непредвиденных ситуациях.

### Сервис

- ▶ **Ремонт электроинструмента должен выполняться только квалифицированным персоналом и только с применением оригинальных запасных частей.** Этим обеспечивается безопасность электроинструмента.

## Инструкции по технике безопасности для электросварочного аппарата

- ▶ Обязательно удостоверьтесь, что электрическая розетка, к которой подключается инвертор заземлена.
- ▶ Запрещается прикасаться к оголенным электрическим частям и электроду открытыми частями тела, мокрыми перчатками или одеждой.
- ▶ Не начинайте работу пока не убедитесь в том, что вы изолированы от земли и от заготовки.
- ▶ Убедитесь, что вы находитесь в безопасном положении.
- ▶ Не вдыхайте газы, образующиеся при сварке, они вредны для здоровья.
- ▶ Необходимо обеспечить достаточную вентиляцию рабочего места или использовать специальные вытяжки для удаления газов, образующихся в процессе проведения сварочных работ.
- ▶ Для защиты глаз и тела используйте подходящую защитную маску, светофильтр и защитную одежду. Одежда должна быть полностью застегнута, чтобы искры и брызги не попадали на тело.
- ▶ Приготовьте подходящую защитную маску или занавеску для защиты смотрящего. Для защиты других людей от излучения дуги и горячих металлов необходимо оградить рабочую зону огнеупорным ограждением.
- ▶ Все стены и пол в рабочей зоне должны быть защищены от возможного попадания искр и раскаленного металла, чтобы избежать тления и возгорания
- ▶ Не допускайте нахождения на рабочем месте горючих материалов (дерево, бумага, тряпки и т.д.).
- ▶ При проведении сварки необходимо обеспечить рабочее место средствами пожаротушения.
- ▶ **ЗАПРЕЩАЕТСЯ:**
  - Использовать сварочный полуавтомат в сырых помещениях или под дождём;
  - Использовать электрические кабели с повреждённой изоляцией или плохими соединительными контактами;
  - Проводить сварочные работы на контейнерах, ёмкостях или трубах, которые содержали жидкие или газообразные

опасные вещества;

- Проводить сварочные работы на резервуарах под давлением;
- Работать в одежде с пятнами масла, жира, бензина и других горючих жидкостей.
- ▶ Используйте наушники или другие средства для защиты ушей.
- ▶ Предупредите наблюдателя, что шум вреден для слуха.
- ▶ Если во время установки и эксплуатации возникнут проблемы, пожарлуйста, следуйте этой инструкции по эксплуатации для проверки.
- ▶ Если вы не до конца понимаете руководство или не можете решить проблему с инструкцией, вам следует обратиться к поставщику или в сервисный центр за профессиональной помощью.
- ▶ Машина должна эксплуатироваться в сухих условиях с уровнем влажности не более 90%.
- ▶ Температура окружающей среды должна быть от -10 до 40 градусов по Цельсию.
- ▶ Избегайте сварки на солнце или под каплями воды. Не допускайте попадания воды внутрь машины.
- ▶ Избегайте сварки в пыльных местах или в среде с агрессивным газом.
- ▶ Избегайте газовой сварки в среде с сильным воздушным потоком.
- ▶ Рабочий, у которого установлен кардиостимулятор, должен проконсультироваться с врачом перед сваркой. Потому что электромагнитное поле может нарушить нормальную работу кардиостимулятора.

### Описание продукта и услуг



Прочтите все указания и инструкции по технике безопасности. Упущения в отношении указаний и инструкций по технике безопасности могут стать причиной поражения электрическим током, пожара и тяжелых травм.

### Применение по назначению

Сварочный полуавтомат инверторного типа постоянного тока (далее – изделие) предназначен для сварочных работ методами MIG/MAG (сварка электродной проволокой в среде защитного газа) и MMA (ручная электродуговая сварка штучными плавкими покрытыми электродами). Изделие может применяться для сварки

различных видов металлов.

## Изображенные составные части

Нумерация представленных компонентов выполнена по изображению на странице с иллюстрациями.

1. Кабель переключения полярности
2. Разъем подключения горелки
3. Силовой разъем «+»
4. Силовой разъем «-»
5. Вентилятор
6. Кнопка питания
7. Штуцер для подключения защитного газа
8. Вход кабеля питания

## Технические характеристики

Модель	PMIG220-C2
Номинальное напряжение / частота	190-250 В / 50 Гц
Номинальная мощность	7500 Вт
Диапазон выходного тока	10-220 А
Диаметр проволоки (MIG)	Ø0.6-1.0mm (.023" - .035")
Диаметр электрода (MMA)	Ø2.5-5.0mm (3/32"-3/16")
Продолжительность включения (ПВ)	25 С 60%
Вес	14,5 кг

## Комплект поставки

Сварочный полуавтомат	1 шт
Кабель с электрододержателем	1 шт
Кабель с клеммой заземления	1 шт
Кабель с горелкой	1 шт
перчатки	1 шт
Сварочный электрод	10 шт
Сварочная Маска Хамелеон	1 шт
Руководство по эксплуатации	1 шт

## Примечание

В тексте и цифровых обозначениях инструкции могут быть допущены технические ошибки и опечатки.

Так как инструмент Р.І.Т. постоянно совершенствуется, компания оставляет за собой право вносить изменения в указанные здесь технические характеристики и комплектацию без предварительного уведомления.

## Подготовка к работе

Устанавливайте аппарат на ровной поверхности. Рабочее место должно быть хорошо вентилируемым, сварочный аппарат не должен подвергаться воздействию пыли, грязи, влаги и активного пара. Для обеспе-

чения нормальной вентиляции расстояние от аппарата до других предметов должно быть не менее 50см.

**ВНИМАНИЕ!** Во избежание поражения электрическим током используйте только электрическую сеть с защитным заземляющим проводом и розетки с заземляющими контактами. ЗАПРЕЩАЕТСЯ переделывать вилку, если она не подходит к розетке. Вместо этого квалифицированный электрик должен установить соответствующую розетку.

## Обеспечение безопасности подготовки к работе

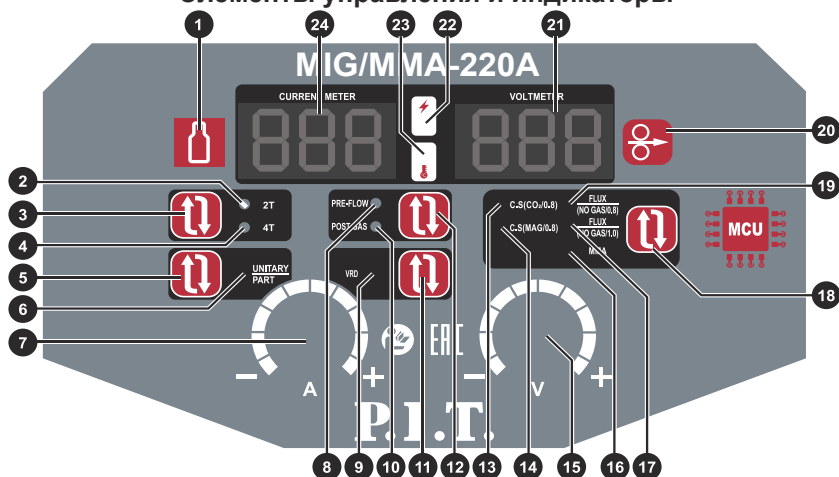
Перед включением изделия установите выключатель в положение «0», а регулятор тока в крайнее левое положение.

Подготовьтесь к работе:

- подготовьте свариваемые детали;
- обеспечьте достаточную вентиляцию рабочего места;
- убедитесь в отсутствии в воздухе паров растворителей, легковоспламеняющихся, взрывчатых и хлорсодержащих веществ;
- проверьте все подключения к изделию. Должны быть выполнены правильно и надёжно;
- проверьте сварочный кабель, в случае повреждения он должен быть заменён;
- источник питания должен быть оснащён защитными системами.

Если вы столкнулись с проблемами, с которыми не можете справиться, обращайтесь в сервисный центр.

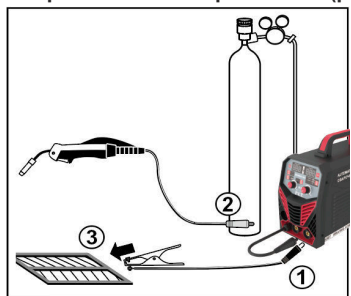
## Элементы управления и индикаторы



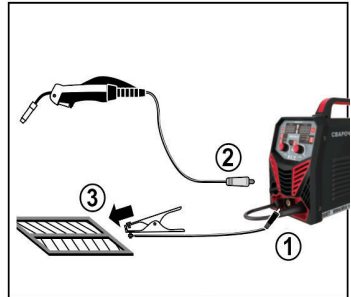
1. Функция проверки газа: используется для проверки и регулировки на регуляторе газового редуктора потока защитного газа до начала сварочного процесса.
2. Индикатор режима сварки 2Т. В режиме 2Т нажатие кнопки управления горелкой запускает процесс сварки, отпускание — прерывает.
3. Кнопка переключения режимов 2Т / 4Т.
4. Индикатор режима сварки 4Т. В режиме 4Т, сварка начинается после кратковременного нажатия кнопки управления на горелке и отключается после повторного нажатия. Данная функция позволяет не держать нажатой кнопку на горелке при сварке длинных швов.
5. Кнопка переключения режима унифицированной (автоматической) / частичной (ручной) регулировки.
6. Индикатор режима автоматической / ручной настройки: индикатор загорается в режиме ручной настройки. Автоматическая регулировка означает, что сварочный ток и сварочное напряжение регулируются синхронно (автоматически), а ручная регулировка означает, что сварочный ток и напряжение устанавливается вручную (ручная регулировка - для профессионального использования)
7. Регулятор силы тока
8. Индикатор режима предварительной продувки газом: сначала подается газ, затем осуществляется сварка. Позволяет вытеснить воздух из горелки и создать защитную среду в месте сварки до зажигания дуги.
9. Индикатор состояния VRD: режим защиты от ударов, когда индикатор горит, он находится в режиме защиты от ударов, а выходное напряжение ниже безопасного напряжения.
10. Световой индикатор режима продувки газом: продолжает подачу газа для охлаждения электрода и обеспечения качественной кристаллизации сварочного соединения в защитной оболочке.
11. Кнопка активации / отмены режима VRD
12. Кнопка выбора настройки предварительной и финишной обдувки газом.
13. Световой индикатор режима сварки с углекислым газом с использованием сварочной проволоки 0,8 мм.
14. Световой индикатор режима сварки со смешанным газом, сварочная проволока 0,8 мм.
15. Регулировка напряжения / индуктивности (в режимах MIG, MAG)
16. Индикатор функции MMA: при включенном индикаторе, сварщик работает в режиме ручной сварки (MMA).
17. Индикатор режима работы с порошковой сварочной проволокой 1,0 мм
18. Кнопка переключателя функций MMA, MIG
19. Индикатор работы с порошковой сварочной проволокой 0,8 мм
20. Кнопка включения механизма подачи проволоки (протяжка проволоки)
21. Дисплей вольтметра
22. Индикатор включения.
23. Индикатор тепловой защиты.
24. Дисплей амперметра

## Схема подключения сварочного аппарата

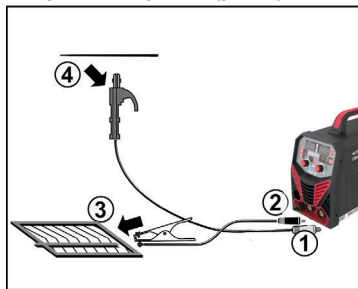
Сварка сплошной проволокой(рис 1)



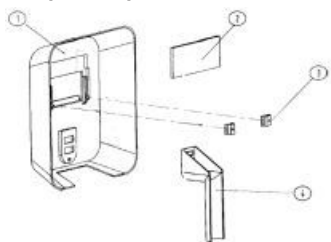
Сварка порошковой проволокой(рис 2)



Сварка электродом(рис 3)



Сборка сварочного щитка



## Подготовка к сварке в режиме MIG/MAG

Выберите необходимый вид сварки с помощью кнопки 15. Также установите при помощи переключателя 2 режим включения/выключения сварочного тока (2Т – сварка ведется при нажатой кнопке горелки, 4Т – первое нажатие на кнопку горелки – начало сварки, второе нажатие – конец сварки).

Функция VRD отвечает за понижении напряжения холостого хода источника до безопасных для человека 12-24 вольт, т.е. снижается напряжение, когда аппарат включен, но сварка не производится. Как только начинается процесс сварки, устройство VRD восстанавливает рабочие параметры напряжения.

Опция VRD актуальна в таких случаях:

Аппарат эксплуатируется в условиях повышенной влажности воздуха; высокие требования к технике безопасности на объекте; использование сварочного оборудования на небольших площадках.

## Горелка

Сварочная горелка MIG/MAG состоит из основы, соединительного кабеля и ручки. Основа соединяет сварочную горелку и устройство подачи проволоки. Соединительный кабель:

Покрытый нейлоном направляющий канал помещен в центр полого кабеля. Внутренняя часть канала предназначена для подачи проволоки. Свободное пространство между каналом и полым кабелем предназначено для подачи защитного газа. Сам полый кабель предназначен для подачи тока.

**ВНИМАНИЕ!** Перед сборкой и разборкой горелки или перед заменой компонентов необходимо отключить подачу электропитания.

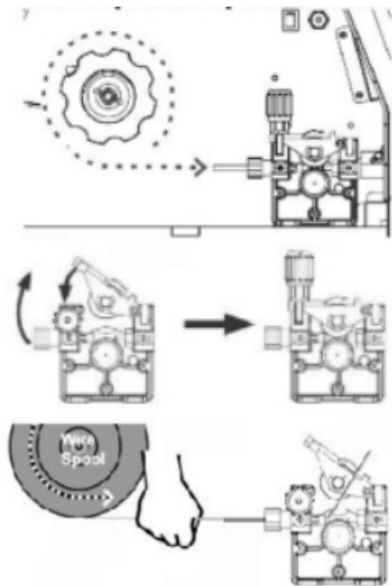
## Установка катушки

Подберите необходимую проволоку в соответствии с технологией сварки. Диаметр проволоки должен соответствовать приводному ролику, направляющему каналу и контактному наконечнику.

Откройте боковую крышку аппарата для установки катушки с проволокой. Открутите регулировочный винт катушкодержателя, наденьте катушку на катушкодержатель и зафиксируйте ее этим же винтом. Конец проволоки должен находиться под барабаном, напротив подающего устройства.



С помощью регулировочного винта отрегулируйте силу фиксации катушки. Катушка должна свободно вращаться, но при работе не должно образовываться петель проволоки. Если образуются петли, необходимо сильнее затянуть регулировочный винт. Если катушка вращается с трудом, ослабьте винт.



### Установка проволоки в направляющий канал

- Ослабьте и опустите на себя регулятор. Поднимите прижимной ролик; Отрежьте изогнутый кончик проволоки и направьте проволоку в направляющий канал подающего устройства, выровняйте ее в канале приводного ролика. Убедитесь, что канал ролика соответствует диаметру проволоки; Поместите проволоку в канал разъема сварочной горелки, отпустите прижимной ролик, и верните в вертикальное положение регулятор. Отрегулируйте давление прижимного ролика.
- При сварке стальной проволокой необходимо использовать V-образную канавку приводного ролика;
  - При использовании флюсовой проволоки необходимо использовать шестеренчатую канавку приводного ролика (наличие зависит от модели и комплектации

аппарата).

- При использовании алюминиевой проволоки необходимо использовать U-образную канавку приводного ролика (наличие зависит от модели и комплектации аппарата).

### Подача проволоки в сварочный рукав

Открутите сварочный наконечник на горелке.

Для протягивания проволоки в рукав горелки необходимо временно подать питание переключением выключателя 6 и нажимать кнопку 16 (протяжка проволоки) до тех пор, пока она не заполнит канал сварочного рукава и не выйдет из горелки. Отключите питание. Примечание! Для свободного прохождения проволоки в кабеле, распрямите его по всей длине. При подаче проволоки убедитесь, что она свободно движется в канале приводного ролика и скорость подачи равномерная. Если скорость подачи неравномерна, отрегулируйте давление прижимного ролика.

Подберите и закрутите контактный наконечник, соответствующий диаметру проволоки и установите сопло.

### Режимы полуавтоматической сварки

Данная установка может работать с двумя типами сварочной проволоки: сплошной омедненной проволокой в среде защитного газа, а также самозащитной порошковой проволокой, в этом случае баллон с газом не требуется.

При разных типах сварочной проволоки требуется разная схема подключения.

### Сварка с газом (GAS) сплошной омедненной проволокой:

- Короткий кабель с разъемом, находящийся внизу на передней панели аппарата, подключите к левому разъему на передней панели (клемма «+»).
- Закрепите клемму заземления на свариваемой детали, соединитель на другом конце кабеля подключите к правому разъему на передней панели (клемма «-»).
- Проверьте маркировку подающего ролика в соответствии с диаметром используемой проволоки.
- Вставьте катушку с проволокой в гнездо.
- Заправьте проволоку в горелку, откинув прижим ролика и введя проволоку в ка-



нал через углубление в ролике.

- Закройте прижим ролика, слегка подтянув зажимной винт.
- Убедитесь в соответствии диаметра отверстия наконечника горелки и диаметра проволоки.
- Включите аппарат и прогоните проволоку до выхода из наконечника, нажав кнопку на горелке.
- Подключите шланг от газового редуктора к штуцеру на задней панели аппарата.
- Откройте вентиль на баллоне с защитным газом, нажмите на кнопку горелки и отрегулируйте подачу газа редуктором (обычно расход газа устанавливается следующим образом: расход газа (л/мин.) = Диаметр проволоки (мм) x 10.
- Установите требуемый режим сварки при помощи регуляторов.
- Начинайте сварку.

### **Сварка без газа (NO GAS) самозащитной порошковой проволокой:**

- Короткий кабель с разъемом, находящийся внизу на передней панели аппарата, подключите к правому разъему на передней панели (клемма «-»).
- Закрепите клемму заземления на свариваемой детали, соединитель на другом конце кабеля подключите к левому разъему на передней панели (клемма «+»).
- Проверьте маркировку подающего ролика в соответствии с диаметром используемой проволоки.
- Вставьте катушку с проволокой в гнездо.
- Заправьте проволоку в горелку, откинув прижим ролика и введя проволоку в канал через углубление в ролике.
- Закройте прижим ролика, слегка подтянув зажимной винт.
- Убедитесь в соответствии диаметра отверстия наконечника горелки и диаметра проволоки.
- Включите аппарат и прогоните проволоку до выхода из наконечника, нажав кнопку на горелке.
- Установите требуемый режим сварки при помощи регуляторов.

### **Процесс сварки**

Данный сварочный аппарат имеет автоматическую и ручную настройку тока и напряжения. Режим настройки переключается

кнопкой (4).

#### **Автоматический режим**

В автоматическом режиме настройка осуществляется с помощью левого регулятора (6). При его вращении в одну или в другую сторону параметры тока и напряжения изменяются синхронно в соответствии с практикой использования данного вида сварки. Скорость подачи проволоки связана с силой сварочного тока и регулируется одновременно с ней.

Регулятором (11) можно изменить значение индуктивности, чтобы получить нужную жесткость дуги.

После предварительной установки необходимо провести пробную сварку.

#### **Ручной режим**

В ручном режиме регулятором (6) регулируется скорость подачи проволоки с силой тока. Регулятором (11) регулируется напряжение дуги.

При увеличении сварочного тока, скорость движения проволоки увеличивается. При увеличении напряжения дуги, увеличивается скорость плавления проволоки. Если установить высокое значение тока и низкое значение напряжения, то скорость движения проволоки будет высокой, но она не будет успевать плавиться. Если сделать наоборот, то проволока начнет плавиться, практически еще не выйдя из медной вставки. Поэтому, устанавливая значения тока и напряжения сварочной дуги, будьте внимательны. За обучением обратитесь в специализированные учебные заведения.

#### **Регулировка индуктивности**

Для уменьшения разбрызгивания получения более гладкого и чистого шва в аппаратах добавлена функция регулируемой индуктивности.

Индуктивность – зависимость между шириной и высотой шва, глубиной проплавления и количеством брызг. Чем меньше значение индуктивности, тем жестче дуга и наоборот.

Для регулировки индуктивности используется правый регулятор.

Примечание! Индуктивность не имеет единиц измерения поэтому на панели нанесены условные единицы.

#### **Регулировка пред и пост газа**

Режим PRE FLOW – предварительная продувка зоны сварки защитным газом, активируется до момента розжига дуги. Благодаря этому процесс возбуждения дуги осуществляется в газовой защитной среде.

В результате начало формирования шва и розжиг дуги выполняется без воздействия кислорода, исключается окисление сварочной ванны, увеличивается ресурс расходных материалов горелки.

Режим POST GAS – финишная продувка зоны сварки защитным газом, которая активируется после отключения сварочной дуги. Благодаря этому сварочный шов полностью застывает в газовой защитной среде, исключая влияние атмосферы, что особенно важно для алюминия и нержавеющей стали.

Наличие функций Pre и Post Gas позволяют исключить окисление шва, образование пустот и трещин в начале и конце сварочного цикла. Длительность продувки Pre и Post Gas можно настроить отдельно с помощью регулятора.

Установите величину сварочного тока исходя из толщины свариваемого материала и диаметра используемой электродной проволоки. Скорость подачи проволоки автоматически синхронизируется с величиной сварочного тока. Подведите горелку к заготовке так, чтобы проволока не касалась заготовки, а находилась на расстоянии нескольких миллиметров от неё. Нажав на клавишу горелки, зажгите дугу и приступайте к сварке. Нажатая клавиша обеспечивает подачу электродной проволоки и установленный редуктором поток защитного газа.

Длина дуги и скорость движения электрода влияют на форму сварочного шва.

## Работа со сменной полярностью

Изначально силовой контакт сварочной горелки подключён к «+» на модуле смены полярности. Это ОБРАТНАЯ ПОЛЯРНОСТЬ. Она применяется при сварке изделий из тонколистовой стали с нержавеющими, легированными и высокоуглеродистыми сталями, которые очень чувствительны к перегреву.

Во время сварки на ПРЯМОЙ ПОЛЯРНОСТИ большая часть тепла концентрируется на самом изделии, из-за чего происходит углубление корня шва. Для смены полярности с обратной на прямую необходимо переключить на модуле вывод силового провода с «+» на «-». А кабель с зажимом массы в данном случае подсоединить к детали, вставив силовой наконечник кабеля в клемму «+» на передней панели.

Для сварки флюсовой (порошковой) проволокой без защитного газа используется ПРЯМАЯ ПОЛЯРНОСТЬ. При этом больший нагрев идёт на изделие, а проволока и канал сварочной горелки нагреваются меньше.

## По окончании сварки:

- Отвести сопло горелки от шва, прервав сварочную дугу;
- Отпустить клавишу горелки для прекращения подачи электродной проволоки и газа;
- Отключить подачу газа, перекрыв кран подачи газа от редуктора баллона;
- Перевести выключатель в положение «off» - выключено

## Режим ручной дуговой сварки (мма)

1. Подсоедините электрододержатель к «-» клемме аппарата, кабель заземления к «+» клемме аппарата (прямая полярность), или наоборот, если этого требуют условия сварки и/или марка электродов:

При ручной дуговой сварке различают два вида подключения: прямой полярности и обратной. Подключение «прямая» полярности: электрод - «минус», свариваемая деталь - «плюс». Такое подключение и ток прямой полярности целесообразны для резки металла и сварки больших толщин, требующих большого количества тепла для их прогрева.

«Обратная» полярность (электрод - «плюс», деталь - «минус») используется при сварке небольших толщин и тонкостенных конструкций. Дело в том, что на отрицательном полюсе (катоде) электрической дуги температура всегда меньше, чем на положительном (аноде), за счёт чего электрод расплавляется быстрее, а нагрев детали уменьшается - снижается и опасность её прожога.

2. Установите переключатель режима в положение ММА

3. Установите сварочный ток согласно типу и диаметру электрода, и начинайте сварку.

4. Ток сварки регулируется регулятором силы тока, фактическое значение тока при работе отображается на дисплее амперметра.

5. Возбуждение дуги осуществляется при кратковременном прикосновении конца электрода к изделию и отведению его на требуемое расстояние. Технически этот процесс можно осуществлять двумя прие-

мами:

- Касанием электрода впритык и отведением его вверх;
- Чирканием концом электрода, как спичкой о поверхность изделия.

**Внимание!** Не стучите электродом по рабочей поверхности при попытках зажечь дугу, так как это может привести к его повреждению и в дальнейшем только затруднит зажигание дуги.

6. Как только произойдет зажигание дуги, электрод нужно держать на таком расстоянии от обрабатываемого материала, которое соответствует диаметру электрода. Для получения равномерного шва далее необходимо соблюдать эту дистанцию по возможности постоянной. Также необходимо помнить, что наклон оси электрода должен быть примерно 20-30 градусов, для лучшего визуального контроля ведения сварочного шва.

7. Заканчивая сварочный шов, отведите электрод немного назад, чтобы заполнился сварочный кратер, а затем резко поднимите его до исчезновения дуги.

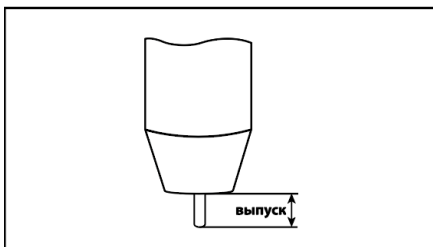
### Таблицы параметров сварки (только для справки)

Толщина металла, мм	Рекомендуемый диаметр проволоки, мм						
	Проволока сплошного сечения				Проволока с флюсом		
	0,6	0,8	0,9	1,0	0,8	0,9	1,2
0,6	+						
0,75	+	+			+		
0,9	+	+			+	+	
1,0	+	+	+		+	+	
1,2		+	+		+	+	+
1,9		+	+	+	+	+	+
3,0		+	+	+		+	+
5,0			+	+		+	+
6,0			+	+			+
8,0				+			+
10,0				+			+
12,0				+			+

Для качественной сварки металла толщиной 5 мм и более необходимо снимать фаску с торцевой кромки деталей в месте их стыковки или производить сварку в несколько проходов.

### Настройки расхода газа при сварке MIG, MAG

Диаметр проволоки, мм	0,5 – 0,8	1 – 1,4	1,6 – 2	2,5 – 3
Выпуск проволоки, мм	7 – 10	7 – 14	14 – 20	16 – 20
Расход газа, л/мин	5 – 8	8 – 16	15 – 20	20 – 30

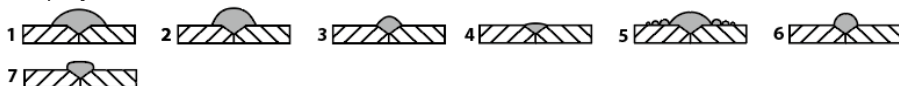


### Параметры силы тока и диаметра электродов при сварке ММА

Диаметр электрода, мм	Ток сварки, А	
	Минимальный	Максимальный
1,6	20	50
2,0	40	80
2,5	60	110
3,2	80	160
4,0	120	200

## Характеристики сварного шва

В зависимости от силы тока и скорости движения электрода вы можете получить следующие результаты:



1. слишком медленное движение электрода
2. очень короткая дуга
3. очень низкий ток сварки
4. слишком быстрое движение электрода
5. очень длинная дуга
6. очень высокий ток сварки
7. нормальный шов

Рекомендуем провести несколько пробных сварок для получения некоторых практических навыков.

### Отключение сварочного аппарата. Тепловая защита

На Вашем сварочном аппарате установлена тепловая защита для предотвращения перегрева электронных частей аппарата. При превышении температуры термовыключатель отключит аппарат. О срабатывании тепловой защиты свидетельствует свечение индикатора.

**ВНИМАНИЕ!** При возвращении температуры к нормальной рабочей, напряжение к электроду будет подано автоматически. Не оставляйте на это время изделие без присмотра, а держатель электрода, лежащим на земле или на свариваемых деталях.

Рекомендуем на это время выключать аппарат выключателем.

Нагрев изделия во время работы является нормальным.

**ВНИМАНИЕ!** Во избежание поломок или преждевременного выхода сварочного аппарата из строя (особенно при частом срабатывании термовыключателя), прежде чем продолжать работу, выясните причину срабатывания тепловой защиты. Для этого отключите аппарат от сети и обратитесь к разделу «Возможные неисправности и методы их устранения» настоящего Руководства.

### Возможные неисправности и методы их устранения

Следите за исправным состоянием изделия. В случае появления подозрительных запахов, дыма, огня, искр следует выключить аппарат, отключить его от сети и обратиться в специализированный сервисный центр.

Если Вам что-то показалось ненормальным в работе изделия, немедленно прекратите его эксплуатацию.

В силу технической сложности изделия, критерии предельных состояний не могут быть определены пользователем самостоятельно.


В случае явной или предполагаемой неисправности обратитесь к разделу «Возможные неисправности и методы их устранения». Если неисправности в перечне не оказалось или.



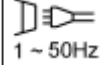
Вы не смогли устранить ее, обратитесь в специализированный сервисный центр.

Все другие работы (в том числе ремонтные) должны проводиться только специалистами сервисных центров.

	Проблема	Возможная причина	Решение
1	Горит индикатор термозащиты	Напряжение слишком высокое	Выключите источник энергии; Проверьте главное питание; Повторно включите аппарат, когда напряжение будет нормальное
		Напряжение слишком низкое	
		Плохой приток воздуха	Улучшите приток воздуха
		Сработала термозащита аппарата	Дайте аппарату остыть
2	Нет подачи проволоки	Регулятор подачи проволоки на минимуме	Отрегулируйте
		Залип токовый наконечник	Замените наконечник
		Ролики подачи не соответствуют диаметру проволоки	Поставьте правильный ролик
3	Вентилятор не работает или вращается медленно	Кнопка включения не работает	Пожалуйста, обратитесь в сервисный центр
		Вентилятор сломан	
4	Не устойчивая дуга, большое разбрызгивание	Плохой контакт с деталью	Улучшите контакт
		Слишком тонкий сетевой кабель, теряется мощность	Поменяйте сетевой кабель
		Слишком низкое входное напряжение	Увеличьте входное напряжение посредством стабилизатора
		Износились детали горелки	Замените детали горелки
5	Дуга не зажигается	Обрыв сварочного кабеля	Проверьте кабель
		Деталь загрязнена, в краске, в ржавчине	Проведите очистку детали
6	Нет защитного газа	Горелка подключена не правильно	Подключите правильно горелку
		Газовый шланг пережат или повреждён	Проверьте газовый шланг
		Места соединения шлангов плохо затянуты	Проверьте места соединения шлангов
7	Другие		Пожалуйста, обратитесь в сервисный центр

### Графические символы и технические данные

$U_0 \dots V$	Этот символ показывает вторичное напряжение холостого хода (в вольтах).
X	Этот символ показывает номинальный рабочий цикл.
$I_2 \dots A$	Этот символ показывает сварочный ток в амперах.
$U_2 \dots V$	Этот символ показывает сварочное напряжение в вольтах.
$U_1$	Этот символ показывает номинальное напряжение питания.
$I_{1max} \dots A$	Этот символ показывает максимальный поглощаемый ток сварочного агрегата в амперах.
$I_{1eff} \dots A$	Этот символ показывает максимальный сварочный ток сварочного агрегата в амперах.
IP21S	Этот символ показывает класс защиты сварочного агрегата.
	Этот символ показывает, что сварочное устройство подходит для использования в условиях, где существует высокий риск поражения электрическим током.

	Этот символ показывает, что перед началом работы внимательно прочитайте инструкцию по эксплуатации.
	Этот символ показывает, что сварочный агрегат представляет собой однофазный сварочный аппарат постоянного тока.
	Этот символ показывает фазу питания и частоту линии в герцах.

## Техобслуживание и сервис

### Техобслуживание и очистка

- ▶ Все работы по техническому обслуживанию должны проводиться при отключенном от сети кабеле.
- ▶ Перед выполнением любых работ с электроинструментом вытащите вилку из розетки.
- ▶ Регулярно удаляйте пыль сухим и чистым сжатым воздухом. Если сварочный аппарат эксплуатируется в среде с сильным задымлением и загрязненным воздухом, его необходимо чистить не реже одного раза в месяц. Давление сжатого воздуха должно быть в разумных пределах, чтобы предотвратить повреждение мелких и чувствительных компонентов аппарата.
- ▶ Регулярно проверяйте внутреннюю цепь сварочного аппарата и убедитесь, что соединения цепи подключены правильно и плотно (особенно разъем и компоненты). При обнаружении окалины и ржавчины очистите его и снова плотно подсоедините.
- ▶ Не допускайте попадания воды и пара в инвертор. Если это произойдет, просушите его и проверьте изоляцию аппарата.
- ▶ Если сварочный аппарат не будет использоваться в течение длительного времени, его необходимо поместить в упаковочную коробку и хранить в сухом и чистом месте.

Если требуется поменять шнур, во избежание опасности обращайтесь на фирму P.I.T. или в авторизованную сервисную мастерскую для электроинструментов P.I.T.

### Сервис

- ▶ Ремонт вашего электроинструмента поручайте только квалифицированному персоналу и только с применением оригинальных запасных частей. Этим обеспечивается безопасность электроинструмента.

Список авторизованных сервисных центров можно посмотреть на официальном сайте P.I.T. по ссылке: <https://pittools.ru/services/>

### Хранение и транспортировка

Сварочный аппарат следует хранить в закрытых помещениях с естественной вентиляцией при температуре от 0 до +40°C и относительной влажности воздуха до +80%. Наличие в воздухе паров кислот, щелочей и других агрессивных примесей не допускается.

Транспортировать продукцию можно любым видом закрытого транспорта в упаковке производителя или без нее, с сохранением изделия от механических повреждений, атмосферных осадков.

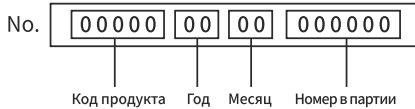
## Утилизация



Отслужившие свой срок электроинструменты, принадлежности и упаковку следует сдавать на экологически чистую переработку отходов.

Утилизируйте электроинструмент отдельно от бытового мусора!

## Расшифровка Даты Изготовления Изделия



Дата изготовления изделия зашифрована в серийном номере, напечатанном на корпусе инструмента. Первые 2 цифры обозначают год выпуска, следующие 2 цифры – месяц.

## УСЛОВИЯ ГАРАНТИЙНОГО ОБСЛУЖИВАНИЯ

1. Настоящее гарантийное свидетельство является единственным документом, подтверждающим ваше право на бесплатное гарантийное обслуживание. Без предъявления данного свидетельства претензии не принимаются. В случае утери или порчи гарантийное свидетельство не восстанавливается.

2. Гарантийный срок указан в гарантийном сертификате. В течение гарантийного срока сервисная служба бесплатно устраняет производственные дефекты и производит замену деталей, вышедших из строя по вине изготовителя. На период гарантийного ремонта эквивалентный исправный инструмент не предоставляется. Заменяемые детали переходят в собственность служб сервиса.

Компания P.I.T. не несет ответственности за вред, который может быть причинен при работе с электроинструментом.

3. В гарантийный ремонт инструмент принимается в чистом виде, при обязательном наличии надлежащим образом оформленных документов: настоящего гарантийного свидетельства, гарантийного талона, с полностью заполненными полями, штампом торговой организации и подписью покупателя.

4. Гарантийный ремонт не производится в следующих случаях:

- при отсутствии гарантийного свидетельства и гарантийного талона или неправильном их оформлении;

- степень износа диаметра коллектора ротора двигателя превышает 0,4 мм (за исключением инструментов с бесщеточным двигателем);

- при совместном выходе из строя якоря и статора электродвигателя, при обугливание или оплавлении первичной обмотки трансформатора сварочного аппарата, зарядного или пуско-зарядного устройства, при оплавлении внутренних деталей, прожиге электронных плат и других случаях;

- если гарантийное свидетельство или талон не принадлежат данному электроинструменту или не соответствует установленному поставщиком образцу;

- по истечении срока гарантии;
- при попытках самостоятельного вскрытия или ремонта электроинструмента вне гарантийной мастерской;

- внесения конструктивных изменений и смазки инструмента в гарантийный период, о чем свидетельствуют, например, заломы на шлицевых частях крепежа корпусных деталей;

- при использовании электроинструмента в производственных или иных целях, связанных с получением прибыли, а также при возникновении неисправностей связанных с нестабильностью параметров электросети, превышающих нормы, установленные ГОСТ;

- при неправильной эксплуатации, использованию электроинструмента не по назначению, указанному в инструкции по эксплуатации, установки на электроинструмент не предназначенных заводом-изготовителем насадок, дополнительных приспособлений и т.п.;

- при механических повреждениях корпуса, сетевого шнура и при повреждениях, вызванных воздействиями агрессивных средств и высоких и низких температур, попадании инородных предметов в вентиляционные решетки электроинструмента, а также при повреждениях, наступивших в результате неправильного хранения (коррозия металлических частей);

- при естественном износе деталей электроинструмента, в результате длительной эксплуатации (определяется по признакам полной или частичной выработки ресурса, сильного загрязнения, ржавчины снаружи и внутри электроинструмента, отработанной смазки в редукторе);

- при возникновении повреждений в связи с несоблюдением предусмотренных ин-



структурой условий эксплуатации (см. главу «Указание по технике безопасности» в инструкции).

- при повреждении изделия вследствие несоблюдения правил хранения и транспортировки;

- при сильном внутреннем загрязнении инструмента;

- при работе с перегрузкой бензоинструмента, изменении цвета чашки и муфты сцепления в результате перегрева;

- при обрыве шнура стартера при условии исправности остальных деталей пускового устройства;

- на все виды работ, выполняемые при периодическом техническом обслуживании (регулировки, чистке, замене расходных материалов и др.);

- на неисправности, возникшие в результате нарушения требований и правил эксплуатации, установленным паспортом изделия. Например, перегрев изделия, несоблюдение требований к составу и качеству топливной смеси, повлекших выход из строя поршневой группы (безусловным признаком этого является залегание поршневого кольца и/или наличие царапин и потертостей на внутренней поверхности цилиндра и поверхности поршня, разрушение или оплавление опорных подшипников шатуна и поршневого пальца);

- на внешние и внутренние загрязнения, царапины, трещины, повреждения, возникшие в процессе эксплуатации или транспортировки.

- при работе электроинструментом с перегрузкой и заклиниванием оснастки, о чем свидетельствуют задиры, изменение цвета от температуры упорных и прижимных шайб, зажимного патрона, выхода из строя редуктора.

Профилактическое обслуживание электроинструмента (чистка, промывка, смазка, замена пыльников, поршневых и уплотнительных колец) в гарантийный период является платной услугой.

Срок службы изделия составляет 3 года.

Срок хранения – 2 года. Не рекомендуется к эксплуатации по истечении 2 лет хранения с даты изготовления, которая указана в серийном номере на этикетке инструмента, без предварительной проверки (определение даты выпуска смотрите ранее в Руководстве пользователя).

О возможных нарушениях, изложенных выше условий гарантийного обслуживания,

владельцу сообщается после проведения диагностики в сервисном центре. Владелец инструмента доверяет проведение диагностики в сервисном центре в свое отсутствие.

Запрещается эксплуатация электроинструмента при проявлении признаков повышенного нагрева, искрения, а также шума в редукторной части. Для выяснения причин неисправности покупателю следует обратиться в гарантийную мастерскую.

Неисправности, вызванные несвоевременной заменой угольных щеток двигателя, устраняются за счет покупателя.

5.Гарантия не распространяется на:

- сменные принадлежности (аксессуары и оснастка), например: аккумуляторы, диски, ножи, сверла, буры, патроны, цепи, звездочки, цанговые зажимы, шины, элементы натяжения и крепления, головки триммеров, подошвы шлифовальных и ленточных машин, фильтры, головки шестигранные сменные насадки и т.п.

- быстроизнашивающиеся детали, например: угольные щетки, приводные ремни, сальники, защитные кожухи, направляющие ролики, направляющие, резиновые уплотнения, подшипники, зубчатые ремни и колеса, стволы, ленты тормоза, храповики и тросы стартеров, поршневые кольца и т.п.

Замена их в течение гарантийного срока является платной услугой.

- шнуры питания, в случае повреждения изоляции. В данном случае потребитель должен быть уведомлен и ремонт (услуга платная) должен быть выполнен после согласия потребителя. Если потребитель не согласен на замену, то в любом ремонте этого инструмента будет отказано. Факт отказа должен быть зафиксирован в гарантийном талоне или квитанции сервисного центра и подписан владельцем.

# P.I.T. WARRANTY CERTIFICATE

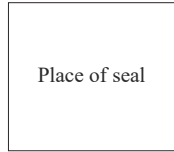
Product Name \_\_\_\_\_

Product Serial Number

Charger Serial Number

Sale Date \_\_\_\_\_

Trade Organization Name \_\_\_\_\_



Dear customer!

Thank you for purchasing the P.I.T. tool, and we hope that you will be satisfied with your choice. In the process of manufacturing the P.I.T. tools pass multilevel quality control, if nevertheless your product will need maintenance, please contact the authorized P.I.T. service centers.

Attention!

When buying, ask a seller to check the completeness and operability of the tool, to fill out the Warranty Certificate, the Warranty Card (the boxes shall be filled out by a seller) and to affix the seal of the trade organization in the Guarantee Certificate and the Warranty Card.

Warranty

By this Warranty Certificate, P.I.T. company guarantees the absence of defects of the production nature.

In the event any of the above defects are detected during the warranty period, the specialized P.I.T. service centers shall repair the product and replace the defective spare parts free of charge.

The warranty period for P.I.T. electric machines is 12 months from the date of sale.

“The warranty maintenance terms acknowledged and accepted. The operability and completeness of the product are checked in my presence. No claims on quality and appearance.”

Buyer's Signature \_\_\_\_\_ Surname (legibly) \_\_\_\_\_

Phone \_\_\_\_\_

**ГАРАНТИЙНОЕ СВИДЕТЕЛЬСТВО НА ИНСТРУМЕНТ P.I.T.**

Наименование изделия \_\_\_\_\_

Серийный номер изделия □□□□□□□□□□

Серийный номер зарядного устройства □□□□□□□□□□

Дата продажи « \_\_\_\_ » \_\_\_\_\_

Наименование торговой организации \_\_\_\_\_

Уважаемый покупатель!

М.П.

Благодарим Вас за покупку инструмента P.I.T. и надеемся, что Вы останетесь довольны своим выбором.

При необходимости обслуживания Вашего изделия обращайтесь в авторизированные сервисные центры P.I.T. Все сервисные центры представлены на сайте [www.pittools.ru](http://www.pittools.ru)

**Внимание!**

При покупке требуйте у продавца проверки работоспособности инструмента и его комплектности, а также заполнения гарантийного свидетельства, гарантийного талона (графы «Заполняются продавцом») и простановки печати торговой организации в гарантийном свидетельстве и гарантийных талонах.

**Гарантия**

На основании данного гарантийного свидетельства компания P.I.T. гарантирует отсутствие дефектов производственного характера.

Если в течение гарантийного срока в Вашем изделии обнаружатся указанные дефекты, то специализированные сервисные центры P.I.T. бесплатно отремонтируют изделие и заменят дефектные запасные части.

Гарантийный срок на электроинструменты P.I.T. составляет 12 месяцев со дня продажи.

«С условиями гарантийного обслуживания ознакомлен(а). Работоспособность и комплектность изделия проверены в моем присутствии. Претензий к качеству и внешнему виду не имею».

Подпись покупателя \_\_\_\_\_ Фамилия (разборчиво) \_\_\_\_\_

Телефон \_\_\_\_\_

# P.I.T. WARRANTY CARD

Name _____ Serial Number _____ Sale Date _____ 20__ Date of Receipt from Repair _____ 20__	<b>P.I.T.</b>	<b>№ 1</b>
	Name _____	
	Serial Number _____	
	Sale Date _____ 20__	
	Place of Seal	
	(Filled out by a Seller)	
	WARRANTY REPAIR CARD	
	Date of Acceptance for Repair _____ 20__	
	Application for Repair _____	
	Customer _____	
Phone (Address) _____		
Cause of Application _____		
Date of Receipt from Repair _____ 20__		
The Tool is checked in my presence _____		
(The Order shall be performed in a Service Center) (Signature)		

Name _____ Serial Number _____ Sale Date _____ 20__ Date of Receipt from Repair _____ 20__	<b>P.I.T.</b>	<b>№ 2</b>
	Name _____	
	Serial Number _____	
	Sale Date _____ 20__	
	Place of Seal	
	(Filled out by a Seller)	
	WARRANTY REPAIR CARD	
	Date of Acceptance for Repair _____ 20__	
	Application for Repair _____	
	Customer _____	
Phone (Address) _____		
Cause of Application _____		
Date of Receipt from Repair _____ 20__		
The Tool is checked in my presence _____		
(The Order shall be performed in a Service Center) (Signature)		

Name _____ Serial Number _____ Sale Date _____ 20__ Date of Receipt from Repair _____ 20__	<b>P.I.T.</b>	<b>№ 3</b>
	Name _____	
	Serial Number _____	
	Sale Date _____ 20__	
	Place of Seal	
	(Filled out by a Seller)	
	WARRANTY REPAIR CARD	
	Date of Acceptance for Repair _____ 20__	
	Application for Repair _____	
	Customer _____	
Phone (Address) _____		
Cause of Application _____		
Date of Receipt from Repair _____ 20__		
The Tool is checked in my presence _____		
(The Order shall be performed in a Service Center) (Signature)		

## ГАРАНТИЙНЫЙ ТАЛОН P.I.T.

P.I.T.

Талон № 1

Наименование \_\_\_\_\_

Серийный номер \_\_\_\_\_

Дата продажи « \_\_\_\_ » \_\_\_\_\_ 20\_\_

(Заполняется продавцом)

Место печати  
или штампа

КАРТА ГАРАНТИЙНОГО РЕМОНА

Дата приема ремонт \_\_\_\_\_ 20\_\_

Заявка на ремонт \_\_\_\_\_

Заказчик \_\_\_\_\_

Телефон (адрес) \_\_\_\_\_

Причина обращения \_\_\_\_\_

Дата получения от ремонта \_\_\_\_\_ 20\_\_

Инструмент проверен в моем присутствии \_\_\_\_\_

(Заказ заполняется в Сервисном Центре) (Подпись)

 Наименование \_\_\_\_\_  
 Серийный номер \_\_\_\_\_ 20\_\_  
 Дата продажи \_\_\_\_\_ 20\_\_  
 Дата получения от ремонта \_\_\_\_\_ 20\_\_

P.I.T.

Талон № 2

Наименование \_\_\_\_\_

Серийный номер \_\_\_\_\_

Дата продажи « \_\_\_\_ » \_\_\_\_\_ 20\_\_

(Заполняется продавцом)

Место печати  
или штампа

КАРТА ГАРАНТИЙНОГО РЕМОНА

Дата приема ремонт \_\_\_\_\_ 20\_\_

Заявка на ремонт \_\_\_\_\_

Заказчик \_\_\_\_\_

Телефон (адрес) \_\_\_\_\_

Причина обращения \_\_\_\_\_

Дата получения от ремонта \_\_\_\_\_ 20\_\_

Инструмент проверен в моем присутствии \_\_\_\_\_

(Заказ заполняется в Сервисном Центре) (Подпись)

 Наименование \_\_\_\_\_  
 Серийный номер \_\_\_\_\_ 20\_\_  
 Дата продажи \_\_\_\_\_ 20\_\_  
 Дата получения от ремонта \_\_\_\_\_ 20\_\_

P.I.T.

Талон № 3

Наименование \_\_\_\_\_

Серийный номер \_\_\_\_\_

Дата продажи « \_\_\_\_ » \_\_\_\_\_ 20\_\_

(Заполняется продавцом)

Место печати  
или штампа

КАРТА ГАРАНТИЙНОГО РЕМОНА

Дата приема ремонт \_\_\_\_\_ 20\_\_

Заявка на ремонт \_\_\_\_\_

Заказчик \_\_\_\_\_

Телефон (адрес) \_\_\_\_\_

Причина обращения \_\_\_\_\_

Дата получения от ремонта \_\_\_\_\_ 20\_\_

Инструмент проверен в моем присутствии \_\_\_\_\_

(Заказ заполняется в Сервисном Центре) (Подпись)

 Наименование \_\_\_\_\_  
 Серийный номер \_\_\_\_\_ 20\_\_  
 Дата продажи \_\_\_\_\_ 20\_\_  
 Дата получения от ремонта \_\_\_\_\_ 20\_\_



## Media account

---

 [pit\\_global](#)  [PIT Global](#)  [YouTube](#) [PIT Global](#)  
 [bod@pit-tools.com](mailto:bod@pit-tools.com)  [www.pit-tools.com](http://www.pit-tools.com)