



P.I.T.[®]

Progressive Innovative Technology

EN PRODUCT PASSPORT
USER'S MANUAL

RU ПАСПОРТ ИЗДЕЛИЯ ИНСТРУКЦИЯ
ПОЛЬЗОВАТЕЛЯ

ENGRAVING MACHINE **ЭЛЕКТРИЧЕСКАЯ ФРЕЗЕРНАЯ МАШИНА**



EAC

PEM006-C1
PEM006-C2

PROGRESSIVE INNOVATIONAL TECHNOLOGY
ПРОГРЕССИВНЫЕ ИННОВАЦИОННЫЕ ТЕХНОЛОГИИ



GENERAL SAFETY PRECAUTIONS

Before turning on, check whether the power supply voltage of your power tool corresponds to the mains voltage; check the cable, plug and socket, in case of malfunction of these parts, further operation is prohibited.

Double insulated power tools do not require connection through a socket with third grounded wire. For power tools without double insulation, connection through a socket with a grounded wire is mandatory.

Avoid body contact with grounded surfaces such as pipes, radiators, headings, and refrigerators.

The electric shock risk increases dramatically if your body comes into contact with a grounded object. If the use of the power tool in wet places is unavoidable, the current to the power tool must be supplied through a special stop/block facility, disconnecting the power tool in case of current leakage. Electrician's rubber gloves and footwear will increase your personal safety.

Do not expose power tools to rain or wet conditions. Water entering inside the power tool significantly increases the electric shock risk.

Handle the cord carefully. Never use the cord to carry power tools or pull the plug from the socket. Keep the cord away from heat, oily liquids, sharp edges or moving parts. Replace damaged cords immediately. Damaged cords increase the electric shock risk.

When operating the power tool outdoors, use power tools specifically designed for designed for such purposes.

Be careful when working with power tools. Do not use the power tool when you are tired or under the influence of drugs or reaction retardants, as well as alcohol or narcotic substances. This can lead to serious injury.

Wear appropriate clothing. Too loose clothing, apparels, or long loose hair can get caught in the moving parts of a working power tool. Keep your hair, clothing, and gloves away from moving parts. Hands should be dry, clean and free from traces of oily substances.

Avoid instantaneous powering on. Make sure the on/off control is in the "OFF" position until the power tool is plugged in. Do not move the power tool during pressing the on/off control.

Remove the regulating and / or adjusting wrench before turning on the power tool. The left key, once in the moving parts of the power tool, can cause damage to the power tool or serious injury.

Use a good support and always keep the body balance. Proper support and balance ensure reliable control of the power tool in unexpected situations.

Use tool that ensures your safety. Always wear safety glasses. Respirator, non-slip safety shoes, helmet or headphones should be used for appropriate conditions.

INTENDED USE

It is used for processing edges and profiles, chamfers in timber constructions, for the manufacture of man-holes, etc

EXPLANATION OF P.I.T. TRADEMARK

P.I.T. Progressive Innovational Technology

Currently, 10 kinds of mechanical and electrical equipment are produced under the P.I.T. trademark. In terms of sales, electric routers occupy one of the leading positions.

Each letter and number in the designation of the model of P.I.T. electric routers has the meaning.

For example, **PEM006-C1**

PEM – electric router

006 – collet chuck

C1 - modification series

OPERATION PRINCIPLE

Starting each pass, act like this. The motor is turned on, the router is lowered (into the material or outside the workpiece, depending on the situation) and the “head” is fixed with a stopper. If there are several passes or there is no certainty that the operation was successful, it is repeated. It is important to remember that it is necessary to move along the workpiece in a strictly defined direction, material towards rotating blades.

It is impossible to lead the router “back to front”, as this will lead to the appearance of the bad quality. The direction of movement is usually indicated on the base plate by the arrow; for all models it is the same.



Model PEM006-C1



Model PEM006-C2

PRODUCT SPECIFICATIONS

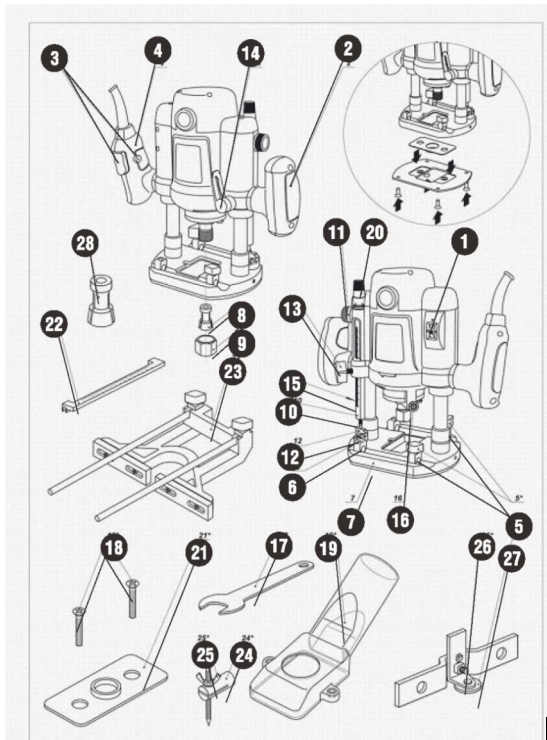
	PEM006-C1	PEM006-C2
Rated voltage	220 V	220 V
Rated output capacity	1200W	1500W
Speed of rotation	11500-34000 rpm	12000-26000rpm
Collet chuck size	8 mm	12 mm
Weight	4.5 kg	5.5 kg

FUNCTIONAL CAPABILITIES AND FEATURES OF THE ELECTRIC ROUTER

Note: ■ – available □ – not available

MODEL	DOUBLE INSULATION	GOVERNOR COMPONENT	QUICK BRUSH REPLACEMENT	GUIDE	PROTECTIVE BASE PLATE
PEM006-C1	■	■	■	■	■
PEM006-C2	■	■	■	■	■

ELECTRIC ROUTER PHYSICAL FORM



MODEL PEM006-C1

1. Speed selector
2. Left handle
3. On/off control
4. Right handle
5. Fly screws for the parallel guide*
6. Scale for the parallel guide
7. Base / Guide plate
8. Collet chuck attachment
9. Screw-eye closure
10. Depth delimiter
11. The adjusting wheel of the delimiter
12. Six-station delimiter
13. Fly screw for depth meter
14. The lock lever
15. Scale of the “cutting depth”
16. Spindle lock
17. Wrench
18. Screws (2x)*
19. Adapter for chip removal*
20. Fine adjustment
21. Guide plate*
22. The gage for the parallel guide
23. Parallel guide*
24. Centering pin*
25. Fly screw for centering pin*
26. Fly screw
27. Turning buffer depths
28. Chuck for the special collet chuck*

* -- accessories. Not all of these accessories are included to the standard delivery.

RULES OF OPERATION

Millers selection

Depending on the material and the required shape, millers made of different materials are used. Millers made of high speed steel (HSS high speed steel) are designed to handle soft materials such as wood and plastic.

Carbide tipped millers are particularly suitable for hard materials such as solid wood and aluminum. Important! Use only millers with a speed limit of at least the rotation speed of the machine without load.

The diameter of the millers shank must match the collet chuck diameter.

Millers replacement

- Warning! Unplug the machine before replacing the millers.
- It is strongly recommended to wear protective gloves before replacement.
- Press the collet chuck 8 on the spindle by turning the nut 9.
- Lock the spindle with lock 16. Insert the miller shank into the chuck. The shank must be inserted at least for 20 mm.
- Tighten the nut 9 by using the wrench 17.
- Do not tighten the nut 9 on the collet chuck if the miller is not inserted into the chuck.

Using a vacuum cleaner

- Using a vacuum cleaner can reduce the formation of dust on the machine and in the air.
- Attach the adapter 19 to the base 7 by screws 18 and attach to the vacuum cleaner.
- Remove the parallel guide 23 for a more easy assembly of the adapter.
- Clean the adapter regularly to ensure maximum dust removal.

Speed selection

Use the wheel control 1 to set the desired speed.
 Speed: 1-2 – low speed; 3-4 – average speed; 5-7 – high speed.

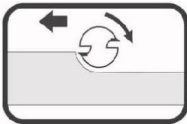


Material	Cutter diameter	Rate of speed
Solid wood (birch)	4-10 mm	5-7
	12-20 mm	3-4
	22-40 mm	1-2
Soft wood (pine)	4-10 mm	5-7
	12-20 mm	3-6
	22-40 mm	1-3
Cardboard	4-10 mm	3-7
	12-20 mm	2-4
	22-40 mm	1-3
Plastic	4-15 mm	2- 3
	16-40 mm	1-2

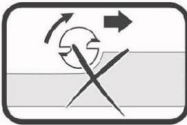
Cutting depth adjustment

- Attention! Disconnect the machine from the mains before adjustment.
- Use depth delimiter 10 and a six-station delimiter 12 for a “coarse” setting of the cutting depth.
- For more precise selection, use the fine adjustment 20

Operation



The direction of electric router movement should be against to the direction of the millers rotation.



If the direction of movement will be opposite, this may result in loss of control over the electric router

Cutting out

- For larger depth cutting out, it is recommended to make several repeated cutting outs with a smaller depth.
- Set the depth as described above
- Place the electric router on the workpiece and turn it on
- Release the lock lever 14 and slowly plunge the router until the depth delimiter device 10 will abut the surface
- Lock the lock lever 14
- Milling with constant speed without jumps
- After the milling is complete, lift the electric router and turn it off

Contour milling

- Using the guide plate 21 allows you to milling according to a different template or contour.

Assembling the guide plate 21

- Attach the guide plate 21 to the base 7 with screws.

Milling with guide plate 21

- Select millers whose diameter is less than the diameter of the hole in the guide plate 21
- Install the electric router with the guide plate 21 against the template / contour
- Turn on the electric router. Release the locking lever 14 and lower the electric router onto the workpiece until the depth meter stops against the surface.
- Lock the locking lever 14
- Guide the electric router with the guide plate along the template / contour.

Note: the template must have a minimum thickness of 8mm

Milling with parallel guide

- Insert the pins of the parallel guide 23 into the base 7
- Attach the gage 22 to the pin. Make the necessary adjustments and tighten the screw 5.
- Milling with a constant speed, applying a small lateral force on the parallel guide 23, moving the electric router along the workpiece edge.

Milling using a turning buffer

- Insert the parallel guide pins 23 into the base 7
- Attach the gage 22 to the pin. Make the necessary adjustments and tighten the screw 5.
- Milling with a constant speed, applying a small lateral force on the parallel guide 23, moving the electric router along the workpiece edge.

MAINTENANCE

You have purchased a long-life and reliable utility-type power tool. Proper use and constant maintenance extend the tool service life. Regularly clean the air vents on the power tool case from dirt and dust. Regularly wipe the case parts with a soft cotton cloth.

It is forbidden to use different types of solvents for cleaning of plastic case details of the power tool.

TERMS OF WARRANTY SERVICE

1. This Warranty Certificate is the only document that confirms your right to free warranty service. Without presenting this certificate, no claims are accepted. In case of loss or damage, the warranty certificate is not restored.

2. The warranty period for the electric machine is 12 months from the date of sale, during the warranty period the service department eliminates manufacturing defects and replaces parts that have failed due to the fault of the manufacturer free of charge. In the warranty repair, an equivalent operable product is not provided. Replaceable parts become property of service providers.

P.I.T is not liable for any damage that may be caused by operation of the electric machine.

3. Only clean tool accompanied with the following duly executed documents: this Warranty Certificate, Warranty Card, with all fields filled out, bearing the stamp of the trade organization and the signature of the buyer, shall be accepted for warranty repair.

4. Warranty repair is not performed in the following cases:

- in the absence of a Warranty Certificate and a Warranty Card or their incorrect execution;
- with failure of both a rotor and a stator of the electric engine, charring or melting of primary winding of the welding machine transformer, charging or starting-charging device, with internal parts melting, burn down of electronic circuit boards;

- if a Warranty Certificate or a Warranty Card does not correspond to this electric machine or to the form established by the supplier;

- upon expiration of the warranty period;

- at attempts of opening or repair of the electric machine outside the warranty workshop; making constructive changes and lubrication of the tool during the warranty period, as evidenced, for example, by the creases on the spline parts of the fasteners of non-rotational parts.

- when using electric tools for production or other purposes connected with making a profit, as well as in case of malfunctions related to instability of the power network parameters exceeding the norms established by GOST;

- in the events of improper operation (use the electric machine for other than intended purposes, attachments to the electric machine of attachments, accessories, etc. not provided by the manufacturer);

- with mechanical damage to the case, power cord and in case of damages caused by aggressive agents and high and low temperatures, ingress of foreign objects in the ventilation grids of the electric machine, as well as in case of damage resulting from improper storage (corrosion of metal parts);

- natural wear and tear on the parts of the electric machine, as a result of long-term operation (determined on the basis of the signs of full or partial depletion of the specified mean life, great contamination, presence of rust outside and inside the electric machine, waste lubricant in the gearbox);

- use of the tool the purposes for other than specified in the operating instructions.

- mechanical damages to the tool;

- in the event of damages due to non-observance of the operating conditions specified in the instruction (see chapter "Safety Precautions" of the Manual).

- damage to the product due to non-observance of the rules of storage and transportation.

Preventive maintenance of electric machines (cleaning, washing, lubrication, replacement of anthers, piston and sealing rings) during the warranty period is a paid service.

The service life of the product is determined by the current legislation and is 5 years from the date of manufacture.

The owner is notified of any possible violations of the above terms of warranty service upon completion of diagnostics in the service center.

The owner of the tool entrusts the diagnostic procedure to be conducted in the service center in his absence.

Do not operate the electric machine when there are signs of excessive heat, sparking, or noise in the gearbox. To determine the cause of the malfunction, the buyer should contact the warranty service center.

Malfunctions caused by late replacement of carbon brushes of the engine are eliminated at the expense of the buyer.

5. The warranty does not cover:

- replacement of parts (accessories and furniture), for example: accumulators, disks, knives, drills, bores, cartridges, chains, sprockets, collet clamps, buses, tensioning elements and fasteners, trim tabs, pads of grinders and tape machines, etc.

- quick-wear parts, for example: carbon brushes, drive belts, glands, protective covers, guide rollers, guides/rails, rubber seals, bearings, timing belts and wheels, shafts, brake band, ratchet wheels and starter cables, piston rings, etc. Replacing them during the warranty period is a paid service.

- power cords, in case of insulation damage, power cords are subject to mandatory replacement without the consent of the owner (paid service),

- casing of machine.

P.I.T. WARRANTY CERTIFICATE

Product Name _____
Product Number □□□□□□□□□□
Serial Number □□□□□□□□□□ Place of Seal
Sale Date _____
Trade Organization Name _____

Dear customer!

Thank you for purchasing the P.I.T tool, and we hope that you will be satisfied with your choice. In the process of manufacturing the P.I.T tools pass multilevel quality control, if nevertheless your product will need maintenance, please contact the authorized P.I.T service centers.

Attention!

When buying, ask a seller to check the completeness and operability of the tool, to fill out the Warranty Certificate, the Warranty Card (the boxes shall be filled out by a seller) and to affix the seal of the trade organization in the Guarantee Certificate and the Warranty Card.

Warranty

By this Warranty Certificate, P.I.T. company guarantees the absence of defects of the production nature, both in the product itself and in its constituent components. In the event any of the above defects are detected during the warranty period, the specialized P.I.T. service centers shall repair the product and replace the defective spare parts free of charge.
The warranty period for P.I.T. electric machines is 12 months from the date of sale.

“The warranty maintenance terms acknowledged and accepted. The operability and completeness of the product are checked in my presence. No claims on quality and appearance.”

Buyer's Signature _____ **Surname (legibly)** _____

Phone _____

ОБЩИЕ МЕРЫ БЕЗОПАСНОСТИ

Перед включением проверьте, соответствует ли напряжение питания Вашего электроинструмента сетевому напряжению; проверьте исправность кабеля, штепселя и розетки, в случае неисправности этих частей дальнейшая эксплуатация запрещается.

Электроинструменты с двойной изоляцией не требуют подключения через розетку с третьим заземленным проводом. Для электроинструментов без двойной изоляции подключение через розетку с заземленным проводом обязательно.

Избегайте контакта тела с заземленными поверхностями типа труб, радиаторов, печей и холодильников. Риск удара током резко возрастает, если ваше тело соприкасается с заземленным объектом. Если использование электроинструмента во влажных местах неизбежно, ток к электроинструменту должен подаваться через специальное устройство–прерыватель, отключающее электроинструмент при утечке. Резиновые перчатки электрика и специальная обувь увеличат вашу личную безопасность.

Не подвергайте электроинструменты воздействию дождя или влажным условиям. Вода, попавшая в электроинструмент, значительно увеличивает риск удара током.

Аккуратно обращайтесь с электрошнуром. Никогда не используйте шнур, чтобы нести электроинструменты или тянуть штепсель из розетки. Держите шнур вдали от высокой температуры, масляных жидкостей, острых граней или движущихся частей. Замените поврежденные шнуры немедленно. Поврежденные шнуры увеличивают риск удара током.

При действии электроинструмента вне помещений, используйте электроудлинители, специально предназначенные для таких целей.

Будьте внимательны при работе с электроинструментом. Не используйте электроинструмент, когда Вы утомлены или находитесь под воздействием лекарств или средств, замедляющих реакцию, а также алкоголя или наркотических веществ. Это может привести к серьезной травме.

Носите соответствующую одежду. Слишком свободная одежда, драгоценности или длинные распущенные волосы могут попасть в движущиеся части работающего электроинструмента. Держите ваши волосы, одежду и перчатки далеко от двигающихся частей. Руки должны быть сухими, чистыми и свободными от следов маслянистых веществ.

Избегайте внезапного включения. Убедитесь, что клавиша включения/выключения находится в положении «выключено» («OFF») до включения электроинструмента в розетку. Запрещается перенос электроинструментов при нажатии клавиши включения/выключения.

Удалите регулировочные и/или установочные ключи перед включением электроинструмента. Оставленный ключ, попав в движущиеся части электроинструмента, может привести к поломке электроинструмента или серьезной травме.

Используйте хорошую опору и всегда надежно держите баланс тела. Надлежащая опора и баланс позволяют обеспечить надежный контроль над электроинструментом в неожиданных ситуациях.

Используйте оборудование, обеспечивающее Вашу безопасность. Всегда носите защитные очки. Респиратор, нескользящие безопасные ботинки, каска или наушники должны использоваться для соответствующих условий.

НАЗНАЧЕНИЕ

Применяется для обработки кромок и профилей, фасок в деревянных конструкциях, для изготовления пазов и т.д.


МОДЕЛЬ REM006-C1

РАСШИФРОВКА ТОРГОВОЙ МАРКИ P.I.T.

P.I.T.[®] Progressive Innovational Technology
 (Прогрессивные Инновационные Технологии)

В настоящее время под маркой P.I.T. выпускается механическое и электрическое оборудование 10 видов. По объему продаж фрезеры занимают одно из лидирующих мест.

Каждая буква и цифра в обозначении модели фрезера P.I.T. имеет значение.

Например, **РЕМ006-С1**

РЕМ – краскораспылитель электрический

006 – цанга

с1 – серия модификации


МОДЕЛЬ REM006-C2

ПРИНЦИП РАБОТЫ

Начиная каждый проход, действуют так. Включают мотор, опускают фрезу (в материал или за пределами заготовки в зависимости от ситуации) и фиксируют «голову» стопором. Если проходов несколько или нет уверенности в том, что операция удалась, ее повторяют. Важно помнить, что двигаться по заготовке нужно в строго определенном направлении > материал навстречу вращающимся ножам.

Вести фрезер «задом наперед» нельзя, так как это приведет к появлению брака. Направление движения обычно указано на подошве стрелкой; для всех моделей оно одинаково.

ТЕХНИЧЕСКИЕ ХАРАКТЕРИСТИКИ

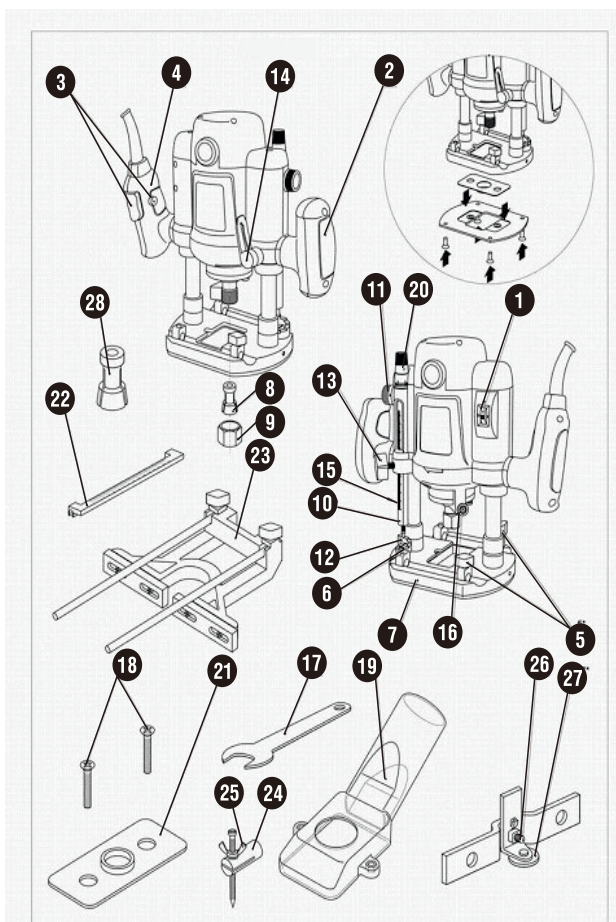
	РЕМ006-С1	РЕМ006-С2
Номинальное напряжение	220 В	220 В
Номинальная выходная мощность	1200 Вт	1500 Вт
Число оборотов	11500-34000 об/мин	12000-26000 об/мин
Размер цанги	8 мм	12 мм
Вес	4,5 кг	5,5 кг

ФУНКЦИОНАЛЬНЫЕ ВОЗМОЖНОСТИ И ОСОБЕННОСТИ ЭЛЕКТРИЧЕСКОГО ФРЕЗЕРА

Примечание: есть отсутствует

Модель	Двойная изоляция	Регулятор оборотов	Быстрая замена щеток	Направляющая	Защитная подошва
РЕМ006-С1 РЕМ006-С2	<input checked="" type="checkbox"/>	<input checked="" type="checkbox"/>	<input checked="" type="checkbox"/>	<input checked="" type="checkbox"/>	<input checked="" type="checkbox"/>

ВНЕШНИЙ ВИД ФРЕЗЕРА ЭЛЕКТРИЧЕСКОГО



Модель РЕМ006-С1

1. Регулятор выбора скорости
 2. Ручка левая
 3. Выключатель
 4. Ручка правая
 5. Винты с барашками для параллельной направляющей*
 6. Шкала для параллельной направляющей
 7. Основание/Направляющая пластина
 8. Цанговый патрон
 9. Резьбовой колпачок
 10. Ограничитель глубины
 11. Регулируемое колесо ограничителя глубины
 12. Ограничитель шестипозиционный
 13. Винт с барашком для глубиномера
 14. Рычаг блокировки
 15. Шкала «глубины реза»
 16. Блокировка шпинделя
 17. Ключ
 18. Винты (2х)*
 19. Адаптер для удаления стружки*
 20. Точная регулировка
 21. Направляющая пластина*
 22. Линейка для параллельной направляющей
 23. Параллельная направляющая*
 24. Центрирующая булавка*
 25. Винт с барашком для центрирующей булавки*
 26. Винт с барашком
 27. Поворотный буфер
 28. Патрон для специальной цанги*
- * – аксессуары. Не все указанные аксессуары входят в стандартную поставку.

ПРАВИЛА ЭКСПЛУАТАЦИИ

Выбор фрез

В зависимости от материала и требуемой формы используются фрезы, изготовленные из различных материалов. Фрезы, изготовленные из высокоскоростной стали (HSS high speed steel), предназначены для обработки мягких материалов, таких как дерево и пластик.

Фрезы с напайками из твердосплавной стали особенно подходят для твердых материалов, таких как твердое дерево и алюминий.

Важно! Используйте только фрезы, разрешенная скорость вращения которых не менее скорости вращения машины без нагрузки.

Диаметр хвостовика фрез должен соответствовать диаметру цанги.

Замена фрез

- Внимание! Отключите машину от сети перед заменой фрез.
- Настоятельно рекомендуется надеть защитные перчатки перед заменой.
- Наживите цанговый патрон 8 на шпинделе, накрутив гайку 9.
- Зафиксируйте шпиндель с помощью блокировки 16. Вставьте хвостовик фрезы в патрон. Хвостовик должен быть вставлен как минимум на 20 мм.
- Затяните гайку 9, используя ключ 17.
- Не затягивайте гайку 9 на цанге, если фреза не вставлена в патрон.

Использование пылесоса

- Использование пылесоса позволяет уменьшить образование пыли на машине и в воздухе.
- Прикрепите адаптер 19 к основанию 7 с помощью винтов 18 и присоедините к пылесосу.
- Удалите параллельную направляющую 23 для более легкой сборки адаптера.
- Регулярно очищайте адаптер для обеспечения максимально эффективного удаления пыли.

Выбор скорости

С помощью колесного регулятора 1 установите необходимую скорость.

Значение скорости:

1-2 – малая скорость

3-4 средняя скорость

5-7 высокая скорость

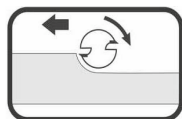


Материал	Диаметр фрезы	Значение скорости
Твердое дерево(береза)	4-10 мм 12-20 мм 22-40 мм	5-7 3-4 1-2
Мягкое дерево(сосна)	4-10 мм 12-20 мм 22-40 мм	5-7 3-6 1-3
Картон	4-10 мм 12-20 мм 22-40 мм	3-7 2-4 1-3
Пластик	4-15 мм 16-40 мм	2-3 1-2

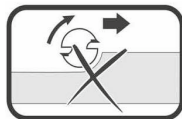
Регулировка глубины реза

- Внимание! До регулировки отключите машину от сети.
- Используйте глубиномер 10 и шестипозиционный ограничитель 12 для «грубой» установки глубины реза.
- Для более точной установки используйте точный регулятор глубины 20

Работа



Направление движения фрезера должно происходить против направления вращения фрез.



Если направление движения будет противоположным, это может привести к потере контроля над фрезером

Выборка

- Для выборки больших глубин, рекомендуется сделать несколько повторных выборок с меньшей глубиной
- Установите глубину как описано выше
- Поместите фрезер на заготовку и включите его
- Освободите рычаг блокировки 14 и медленно погрузите фрезер до того, как ограничитель глубины 10 упрется в поверхность
- Зафиксируйте рычаг блокировки 14
- Фрезеруйте с постоянной скоростью без рывков

Фрезерование по контуру

- Использование направляющей пластины 21 позволяет фрезеровать по различному шаблону или контуру.

Сборка направляющей пластины 21

- Присоедините направляющую пластину 21 на основание 7 с помощью винтов.

Фрезерование с помощью направляющей пластины 21

- Выбирайте фрезы, диаметр которых меньше диаметра отверстия в направляющей пластине 21
- Установите фрезер с направляющей пластиной 21 напротив шаблона/контура
- Включите фрезер. Отпустите блокирующий рычаг 14 и опустите фрезер на заготовку до упора глубиномера до поверхности.
- Зафиксируйте блокирующий рычаг 14
- Ведите фрезер с направляющей пластиной вдоль шаблона/контура

Замечание: шаблон должен иметь минимальную толщину 8мм

Фрезерование с параллельной направляющей

- Вставьте штыри параллельной направляющей 23 в основание 7
- Присоедините линейку 22 к штырю. Произведите необходимые установки и затяните винт 5.
- Фрезеруйте с постоянной скоростью, прилагая небольшое боковое усилие на параллельную направляющую 23, ведя фрезер вдоль края заготовки.

Фрезерование с использованием поворотного буфера

- Вставьте штыри параллельной направляющей 23 в основание 7
- Присоедините линейку 22 к штырю. Произведите необходимые установки и затяните винт 5.
- Фрезеруйте с постоянной скоростью, прилагая небольшое боковое усилие на параллельную направляющую 23, ведя фрезер вдоль края заготовки.

ТЕХНИЧЕСКОЕ ОБСЛУЖИВАНИЕ

Вы приобрели долговечный и надежный электрический инструмент бытового класса. Правильное использование и постоянное техническое обслуживание продлевают срок службы изделия. Регулярно очищайте вентиляционные отверстия на корпусе электрического инструмента от грязи и пыли. Регулярно протирайте корпусные детали мягкой х/б тряпкой. Запрещается использовать различные виды растворителей для очистки пластиковых корпусных деталей электроинструмента.

УСЛОВИЯ ГАРАНТИЙНОГО ОБСЛУЖИВАНИЯ

1. Настоящее гарантийное свидетельство является единственным документом, подтверждающим Ваше право на бесплатное гарантийное обслуживание. Без предъявления данного свидетельства претензии не принимаются. В случае утери или порчи гарантийное свидетельство не восстанавливается.
 2. Гарантийный срок на электроинструмент составляет 12 месяцев со дня продажи, в течение гарантийного срока сервисная служба бесплатно устраняет производственные дефекты и производит замену деталей, вышедших из строя по вине изготовителя. На период гарантийного ремонта эквивалентный исправный инструмент не предоставляется. Заменяемые детали переходят в собственность служб сервиса. Компания P.I.T. не несет ответственности за вред, который может быть причинен при работе с электроинструментом.
 3. В гарантийный ремонт инструмент принимается в чистом виде, при обязательном наличии надлежащим образом оформленных документов: настоящего гарантийного свидетельства, гарантийного талона, с полностью заполненными полями, штампом торговой организации и подписью покупателя.
 4. Гарантийный ремонт не производится в следующих случаях:
 - при отсутствии гарантийного свидетельства и гарантийного талона или неправильном их оформлении;
 - при совместном выходе из строя якоря и статора электродвигателя, при обугливании или оплавлении первичной обмотки трансформатора сварочного аппарата, зарядного или пуско-зарядного устройства, при оплавлении внутренних деталей, прожиге электронных плат;
 - если гарантийное свидетельство или талон не принадлежат данному электроинструменту или не соответствует установленному поставщиком образцу;
 - по истечении срока гарантии;
 - при попытках самостоятельного вскрытия или ремонта электроинструмента вне гарантийной мастерской; внесения конструктивных изменений и смазки инструмента в гарантийный период, о чем свидетельствуют, например, заломы на шлицевых частях крепежа корпусных деталей.
 - при использовании электроинструмента в производственных или иных целях, связанных с получением прибыли, а также – при возникновении неисправностей связанных с нестабильностью параметров электросети, превышающих нормы, установленные ГОСТ;
 - при неправильной эксплуатации (использование электроинструмента не по назначению, установки на электроинструмент не предназначенных заводом-изготовителем насадок, дополнительных приспособлений и т.п.;
 - при механических повреждениях корпуса, сетевого шнура и при повреждениях, вызванных воздействиями агрессивных средств и высоких и низких температур, попадании инородных предметов в вентиляционные решетки электроинструмента, а также при повреждениях, наступивших в результате неправильного хранения (коррозия металлических частей);
 - при естественном износе деталей электроинструмента, в результате длительной эксплуатации (определяется по признакам полной или частичной выработки ресурса, сильного загрязнения, ржавчины снаружи и внутри электроинструмента, отработанной смазки в редукторе);
 - использование инструмента не по назначению, указанному в инструкции по эксплуатации.
 - при механических повреждениях инструмента;
 - при возникновении повреждений в связи с несоблюдением предусмотренных инструкцией условий эксплуатации (см. главу Указание по технике безопасности в инструкции).
 - повреждение изделия вследствие несоблюдения правил хранения и транспортировки.
- Профилактическое обслуживание электроинструмента (чистка, промывка, смазка, замена пыльников, поршневых и уплотнительных колец) в гарантийный период является платной услугой.
- Срок службы изделия установлен в соответствии с действующим законодательством и составляет 5 лет со дня изготовления.
- О возможных нарушениях, изложенных выше условий гарантийного обслуживания, владельцу сообщается после проведения диагностики в сервисном центре.
- Владелец инструмента доверяет проведение диагностики в сервисном центре в свое отсутствие.
- Запрещается эксплуатация электроинструмента при проявлении признаков повышенного нагрева, искрения, а также шума в редукторной части. Для выяснения причин неисправности покупателю следует обратиться в гарантийную мастерскую.
- Неисправности, вызванные несвоевременной заменой угольных щеток двигателя, устраняются за счет покупателя.
5. Гарантия не распространяется на:
 - сменные принадлежности (аксессуары и оснастка), например: аккумуляторы, диски, ножи, сверла, буры, патроны, цепи, звездочки, канговые зажимы, шины, элементы натяжения и крепления, головки триммеров, подошвы шлифовальных и ленточных машин, фильтры и т.п.
 - быстроизнашивающиеся детали, например: угольные щетки, приводные ремни, сальники, защитные кожухи, направляющие ролики, направляющие, резиновые уплотнения, подшипники, зубчатые ремни и колеса, стволы, ленты тормоза, храповики и тросы стартеров, поршневые кольца и т.п. Замена их в течении гарантийного срока является платной услугой.
 - шнуры питания, в случае повреждения изоляции, шнуры питания подлежат обязательной замене без согласия владельца (услуга платная).
 - корпуса инструмента.

ГАРАНТИЙНОЕ СВИДЕТЕЛЬСТВО НА ИНСТРУМЕНТ P.I.T.

Наименование изделия _____
Артикул изделия
Серийный номер
Дата продажи «__» _____
Наименование торговой организации _____

М.П.

Уважаемый покупатель!

Благодарим Вас за покупку инструмента P.I.T. и надеемся, что Вы останетесь довольны своим выбором. В процессе производства инструменты P.I.T. проходят многоуровневый контроль качества, если тем не менее Ваше изделие будет нуждаться в обслуживании, просим Вас обращаться в авторизованные сервисные центры P.I.T.

Внимание!

При покупке требуйте у продавца проверки комплектности и работоспособности инструмента, заполнение гарантийного свидетельства, гарантийного талона (графы заполняются продавцом) и простановки печати торговой организации в гарантийном свидетельстве и гарантийном талоне.

Гарантия

На основании данного гарантийного свидетельства компания P.I.T. гарантирует отсутствие дефектов производственного характера, как в самом изделии, так и в составляющих его компонентах.

Если в течении гарантийного срока в Вашем изделии тем не менее обнаружатся указанные дефекты, специализированные сервисные центры P.I.T. бесплатно отремонтируют изделие и заменят дефектные запасные части.

Гарантийный срок на электроинструменты P.I.T. составляет 12 месяцев со дня продажи.

«С условиями гарантийного обслуживания ознакомлен(а). Работоспособность и комплектность изделия проверены в моем присутствии. Претензий к качеству и внешнему виду не имею.»

Подпись покупателя _____ Фамилия(разборчиво) _____

Телефон _____



P.I.T. WARRANTY CARD

Name _____
Serial number _____
The date of sale 20 ____
The date of receipt of the repair 20 ____



Name _____
Serial number _____
Date of sale "" _____
(Filled by seller)

Seal is here

WARRANTY REPAIR CARD

date of acceptance for repair ____ 20 ____ .
Application for repair _____
Customer _____
Telephone (address) _____
The reason for petition _____
Tool checked in my presence _____
(The order is filled in the service center) (signature)

Seal is here

Name _____
Serial number _____
The date of sale 20 ____
The date of receipt of the repair 20 ____



Name _____
Serial number _____
Date of sale "" _____
(Filled by seller)

Seal is here

WARRANTY REPAIR CARD

date of acceptance for repair ____ 20 ____ .
Application for repair _____
Customer _____
Telephone (address) _____
The reason for petition _____
Tool checked in my presence _____
(The order is filled in the service center) (signature)

Seal is here

Name _____
Serial number _____
The date of sale 20 ____
The date of receipt of the repair 20 ____



Name _____
Serial number _____
Date of sale "" _____
(Filled by seller)

Seal is here

WARRANTY REPAIR CARD

date of acceptance for repair ____ 20 ____ .
Application for repair _____
Customer _____
Telephone (address) _____
The reason for petition _____
Tool checked in my presence _____
(The order is filled in the service center) (signature)

Seal is here



ГАРАНТИЙНЫЙ ТАЛОН P.I.T.

Наименование _____
Серийный номер _____
Дата продажи «__» _____ 201__ г.
Дата получения из ремонта «__» _____ 201__ г.



Наименование _____
Серийный номер _____
Дата продажи «__» _____ 201__ г.
(Заполняется продавцом) М.П.

КАРТА ГАРАНТИЙНОГО РЕМОНТА ____
Дата приема в ремонт _____ 201__ г.
Заявка на ремонт _____
Заказчик _____
Телефон(адрес) _____
Причина обращения _____ М.П.
Дата получения из ремонта _____ 201__ г.
Инструмент проверен в моем присутствии _____
(Заказ заполняется в сервисном центре) (подпись)

Наименование _____
Серийный номер _____
Дата продажи «__» _____ 201__ г.
Дата получения из ремонта «__» _____ 201__ г.



Наименование _____
Серийный номер _____
Дата продажи «__» _____ 201__ г.
(Заполняется продавцом) М.П.

КАРТА ГАРАНТИЙНОГО РЕМОНТА ____
Дата приема в ремонт _____ 201__ г.
Заявка на ремонт _____
Заказчик _____
Телефон(адрес) _____
Причина обращения _____ М.П.
Дата получения из ремонта _____ 201__ г.
Инструмент проверен в моем присутствии _____
(Заказ заполняется в сервисном центре) (подпись)

Наименование _____
Серийный номер _____
Дата продажи «__» _____ 201__ г.
Дата получения из ремонта «__» _____ 201__ г.



Наименование _____
Серийный номер _____
Дата продажи «__» _____ 201__ г.
(Заполняется продавцом) М.П.

КАРТА ГАРАНТИЙНОГО РЕМОНТА ____
Дата приема в ремонт _____ 201__ г.
Заявка на ремонт _____
Заказчик _____
Телефон(адрес) _____
Причина обращения _____ М.П.
Дата получения из ремонта _____ 201__ г.
Инструмент проверен в моем присутствии _____
(Заказ заполняется в сервисном центре) (подпись)

P.I.T. WARRANTY SHEET / ГАРАНТИЙНЫЙ ТАЛОН P.I.T.



Поставщик: Китай Xinjiang Longbo Industrial Co., Ltd.
Адрес производства: Rm. 602, 6th Floor, No. 531, Weixing Road, Economic And Technological Development Zone, Urumqi, Xinjiang, China
Уполномоченный представитель: ООО "Турбо-Тулс"
Юридический адрес: 614012, Пермский КРАЙ, г. Пермь, ул. Норильская, д. 8

Сделано в КНР/Made in China

