

Progressive Innovational Technology

ВОЗДУШНЫЙ КОМПРЕССОР



EAC

PAC016002-3.3/100
PAC016001-2.5/100



GENERAL SAFETY PRECAUTIONS

1. Most of the units and parts are made of light alloys and plastic, designed for long-term use, but not protected from shock overloads; transportation must comply with the transport regulations! Take care in handling and transportation to avoid falls and bumps.
2. Never leave flammable substances near the compressor. Never direct compressed air to a face.
3. Keep children and animals away from the compressor or other equipment connected to it. The compressor head and air ducts are heated during operation.
4. Protect compressor from moisture penetration.
5. Do not use compressor at construction sites.
6. Do not operate compressor at maximum modes for more than 5 hours (total time).
7. Do not operate compressors in explosive environments (gasoline vapors, gas, etc.) and at low temperatures. Remember! The pressure relay does not turn off the compressor in an explosive environment.
8. The air used for compressor cooling when carrying out paint and varnish works, purging and air cleaning shall be clear and free from particles, pigments of coloring substances, and solvents. Do not perform painting in an unventilated area or near an open flame. Protect nose and mouth with a mask;
9. The compressor shall be operated by specially trained professionals only.
10. Use additional oil separators, moisture traps to provide high quality of compressed air.
11. Do not transport the compressor without container and with the pressurized receiver. Before servicing the compressor, make sure that the pressure has been released from the receiver and the power is off. After any maintenance operation, make sure all components are properly installed and fixed.
12. The compressor shall be operated in well-ventilated areas only.
13. Never disconnect power by pulling the plug out of the socket or otherwise while the compressor is running, it may case the electric motor lug when restarting. The compressor shall be turned on/off only by pressing/pulling the red switch located on the pressure relay.
14. Never unscrew connections when the receiver is under pressure.
15. Working range of ambient temperature is 0 ... + 35°C;
16. Unplug the compressor when not in use. This is especially important in the evening when power surges are possible in the industrial power network, which can lead to electric motor overload and failure.

It is prohibited:

1. To operate the compressor with defective or disabled protection;
2. To make any changes to the electrical or pneumatic circuits of the compressor or their adjustment. In particular, change the value of compressed air maximum pressure and a safety valve settings;
3. To touch highly heated components (cylinder head and cylinder block, cooler, parts of the discharge air duct, cooling fins of the electric motor) when operating the compressor;
4. To perform machining or welding of the receiver. In case of defects or corrosion, it is necessary to completely replace it, as it falls under special safety standards;
5. To touch the compressor with wet hands or work in wet shoes;
6. To direct compressed air to yourself or nearby people;
7. To allow children and animals into the work area;
8. To perform painting work in an unventilated area or near an open flame;
9. To store kerosene, gasoline and other flammable liquids at the compressor installation site;
10. To leave a powered compressor unattended;
11. To perform repairs when a compressor is powered and receiver is pressurized.

EXPLANATION OF P.I.T. TRADEMARK

P.I.T. Progressive Innovational Technology Currently, 10 kinds of mechanical and electrical equipment are produced under the P.I.T. trademark. In terms of sales, air compressors occupy one of the leading positions.

Each letter and number in the designation of the model of P.I.T air compressors has the meaning.

For example, **PAC016001-2.5/100**:

P - trademark of **P.I.T.**

AC - Air compressor

016001 - modification series

2.5/100 - Power is 2.5KW and air tank(Receiver) capacity is 100L



INTENDED USE

These models are single-phase air compressors designed to produce compressed air. Compact and reliable in operation, universal devices are suitable for any user.

Compressors meet current technical standards and quality standards, ensuring a long and safe operation time.

PRINCIPLE OF OPERATION

The principle of operation of this type of air compressors is not complicated. It looks as follows. The entire working cycle consists of only two piston movements: with the forward movement of the piston, air or any other gas is sucked into the cylinder, and when the piston performs the return action, the air in the cylinder is compressed, and the pressure force increases. During this action, the suction valve closes, and the discharge valve pushes the compressed air into the line. Thus, the operation cycle of the piston air compressor ends and at this time the piston again begins the forward movement, and the whole cycle repeats again and again, until this is necessary.

DECRYPTING THE DATE OF PRODUCTION OF THE PRODUCT

Date of manufacture of the product is encrypted in the serial number printed on the tool body. The first 2 digits indicate the year of manufacture, the next 2 digits - month and the following two digits - day.

No.

17	07	30	0395
----	----	----	------

Year month day

PRODUCT SPECIFICATIONS

	PAC016001-2.5/100	PAC016002-3.3/100
Rated Voltage	220V	220V
Rated Frequency	50Hz	50Hz
Capacity	2500W	3300W
Receiver Volume	100L	100L
Output	330L/min	370L/min
Operating Pressure	8bar	8bar
Weight	17kg	24.3kg

AIR COMPRESSOR FUNCTIONALITY AND FEATURES

Functionality:

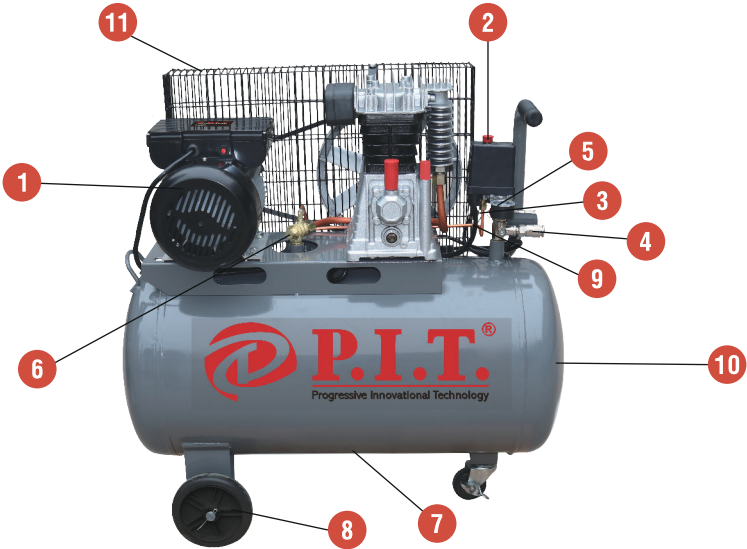
It is used for applying paints, varnishes and primers using a spray gun, applying anti-corrosion compounds, purging, for polishing and grinding pneumatic tools.

Features:

- electric motor with thermal protection;
- gearbox for pressure control;
- convenient handle and large wheels make transportation convenient and easy;
- can be used with all types of pneumatic tools.

Note: ■ – available; □ – not available

MODEL	Double Insulation	Pressure Control	Control Valve	Air Filter Assembly	Thermal Protection
PAC016001-2.5/100	■	□	■	■	■
PAC016002-3.3/100	■	□	■	■	■



1. Electric Motor

The main component of the compressor. It initiates the process of air compression. Made of aluminum alloy with cooling fins.

2. Pressure Relay



It is used to control the air compressor motor in automatic mode within the specified pressure ranges and maintain the required working pressure in the compressor receiver.

3. Exhaust Valve



It is used to discharge air into the atmosphere. It is installed in the discharge pipe of the compressor. In the closed position, the valve is held by a spring.

4. Crane Regulator



It is used to regulate the air outflow.

5. Manometer



It displays the pressure inside the receiver. It is installed on the pressure relay.

6. Back Valve



It is used to prevent changes in the airflow in the system. It is installed in the pipeline.

7. Condensate Drain Valve



It is used to remove condensate from the receiver.

8. Transportation Wheels



It is used for fast and convenient transportation of the compressor.

9. Exhaust Pipe



It connects the electric motor, back-flow valve and receiver. It is used for the air outflow.

10. Air Tank (Receiver)

It is used to collect compressed air. The compressor unit accumulates compressed air in the receiver to compensate the airflow pressure in the line, and provides uninterrupted air supply, and reduction of the number of compressor on/off cycles.

11. Protective Cover

It is used to protect important parts of the compressor from possible damage.

RULES OF OPERATION

Preparation of Compressor for Operation

2. Provide free space for compressor maintenance.
3. To maintain operating temperatures within normal limits, install the compressor in places with sufficient ventilation. The air temperature in the room should be between + 5 ° and + 35°C. It is not allowed to operate the compressor in unheated rooms. In case of insufficient ventilation, it is necessary to ensure the flow of sufficient air to cool the compressor and to discharge hot air from the room. Do not allow hot air to recirculate.
3. Do not install the compressor in places where the temperature may be less than + 5 ° C and the altitude above 2000m
4. The normal temperature of the compressor is 80 ° C, the oil in the crankcase is 70 ° C.
5. Voltage fluctuations should not exceed $\pm 5\%$ of nominal.
6. The oil level in the crankcase must not be below the red mark of the oil level indicator.
7. It is necessary to let the compressor run for 1-2 minutes for better distribution of oil.
8. Use only pure oil.

Compressor Start and Operation.

1. Carefully read and follow the instruction manual.
2. Open the package, check the completeness, and make sure there is no damage.
3. Install shock absorbers and wheels on the receiver.
4. Remove the oil filler cap.
5. Fill the crankcase with oil and tighten the oil filler cap. Check the oil level on the oil gauge - it should be above the red mark on the sight glass. If necessary, add compressor oil. Prevent oil leaks from the joints and on the external surfaces of the compressor.
6. Install the air filter.
7. Check mains voltage.
8. Securely connect the compressor to the compressed air consumers using an appropriate pneumatic tool.
9. Open the condensate drain valve and then close it.
10. Starting and stopping of the compressor is carried out only by a switch on the pressure relay unit. The pressure relay automatically turns the compressor on and off, maintaining the pressure of compressed air within the specified limits.

Attention! In order to avoid overheating of the electric motor, the compressor operates in a two-stroke mode with periodic switching on/off. In case of overheating, the thermal protection installed on the motor is triggered.

AIR COMPRESSOR TROUBLESHOOTING

Reduced Compressor Performance

Causes:

1. Air filter is clogged.
2. Joints or to air ducts are damaged.

Actions:

1. Clean or replace filter unit.
2. Find location of the leak, then seal the joint, or replace the air duct.

Air leakage from the receiver to the discharge air duct - constant "hissing" when the compressor is turned off

Causes:

1. Air from the receiver enters the discharge air duct due to wear or clogging of the check valve seal.

Actions:

1. Unscrew the hex head of the valve, clean the seat and the gasket or replace it.

Electric motor overheating and compressor stop during operation

Causes:

1. Insufficient oil level in the compressor crankcase.
2. Prolonged compressor operation at maximum pressure and air consumption – thermal protection is triggered.
3. Low mains voltage

Actions:

1. Check the quality and level of oil, if necessary add oil.
2. Reduce the load on the compressor by reducing air consumption. The compressor will start automatically.
3. Disconnect all extension cords from the power supply circuit.

Compressor stops during operation

Causes:

1. Power supply failure.

Actions:

1. Check the power circuit.

Compressor turns off and then turns on after a few minutes.

Causes:

1. Thermal protection is triggered due to overheating of the electric motor.

Actions:

1. Clean the air supply hoses. Ventilate the room. Return the thermal protection relay to working condition. Check the level and quality of oil.

MAINTENANCE

1. Air Filter Change

Unscrew the screws of the protective casing to carry out compressor maintenance. After that, clean the intake filter. This procedure should be performed depending on the state of the environment, but not less than every 100 hours of operation. If necessary, replace the filter element (a clogged filter increases compressor wear).

2. Oil Change

Change oil after the first 100 hours of operation, and then every 300 hours. It is necessary to periodically check the oil level upon completion of work and drain the condensate that has accumulated inside the receiver, thereby protecting the instrument from corrosion.

3. Condensate Draining

It is necessary regularly, at least once a week, to drain condensate from the receiver, which accumulates in the receiver during the operation of the compressor.

Compressor should be served by qualified personnel of the authorized service centers only.

TERMS OF WARRANTY SERVICE

1. This Warranty Certificate is the only document that confirms your right to free warranty service. Without presenting this certificate, no claims are accepted. In case of loss or damage, the warranty certificate is not restored.
2. The warranty period for the electric machine is 12 months from the date of sale, during the warranty period the service department eliminates manufacturing defects and replaces parts that have failed due to the fault of the manufacturer free of charge. In the warranty repair, an equivalent operable product is not provided. Replaceable parts become property of service providers.
P.I.T is not liable for any damage that may be caused by operation of the electric machine.
3. Only clean tool accompanied with the following duly executed documents: this Warranty Certificate, Warranty Card, with all fields filled out, bearing the stamp of the trade organization and the signature of the buyer, shall be accepted for warranty repair.
4. Warranty repair is not performed in the following cases:
 - in the absence of a Warranty Certificate and a Warranty Card or their incorrect execution;
 - with failure of both a rotor and a stator of the electric motor, charring or melting of primary winding of the welding machine transformer, charging or starting-charging device, with internal parts melting, burn down of electronic circuit boards;
 - if a Warranty Certificate or a Warranty Card does not correspond to this electric machine or to the form established by the supplier;
 - upon expiration of the warranty period;
 - at attempts of opening or repair of the electric machine outside the warranty workshop; making constructive changes and lubrication of the tool during the warranty period, as evidenced, for example, by the creases on the spline parts of the fasteners of non-rotational parts.
 - when using electric tools for production or other purposes connected with making a profit, as well as in case of malfunctions related to instability of the power network parameters exceeding the norms established by GOST;
 - in the events of improper operation (use the electric machine for other than intended purposes, attachments to the electric machine of attachments, accessories, etc. not provided by the manufacturer);
 - with mechanical damage to the case, power cord and in case of damages caused by aggressive agents and high and low temperatures, ingress of foreign objects in the ventilation grids of the electric machine, as well as in case of damage resulting from improper storage (corrosion of metal parts);
 - natural wear and tear on the parts of the electric machine, as a result of long-term operation (determined on the basis of the signs of full or partial depletion of the specified mean life, great contamination, presence of rust outside and inside the electric machine, waste lubricant in the gearbox);
 - use of the tool the purposes for other than specified in the operating instructions.
 - mechanical damages to the tool;
 - in the event of damages due to non-observance of the operating conditions specified in the instruction (see chapter "Safety Precautions" of the Manual).
 - damage to the product due to non-observance of the rules of storage and transportation.Preventive maintenance of electric machines (cleaning, washing, lubrication, replacement of anthers, piston and sealing rings) during the warranty period is a paid service.
The service life of the product is determined by the manufacturer and is 2 years from the date of manufacture, The owner is notified of any possible violations of the above terms of warranty service upon completion of diagnostics in the service center.
The owner of the tool entrusts the diagnostic procedure to be conducted in the service center in his absence. Do not operate the electric machine when there are signs of excessive heat, sparking, or noise in the gearbox. To determine the cause of the malfunction, the buyer should contact the warranty service center.
Malfunctions caused by late replacement of carbon brushes of the electric motor are eliminated at the expense of the buyer.
5. The warranty does not cover:
 - replacement of parts (accessories and furniture), for example: accumulators, disks, knives, drills, bores, cartridges, chains, sprockets, collet clamps, buses, tensioning elements and fasteners, trim tabs, pads of grinders and tape machines, etc.
 - quick-wear parts, for example: carbon brushes, drive belts, glands, protective covers, guide rollers, guides/rails, rubber seals, bearings, timing belts and wheels, shafts, brake band, ratchet wheels and starter cables, piston rings, etc. Replacing them during the warranty period is a paid service.
 - power cords, in case of insulation damage, power cords are subject to mandatory replacement without the consent of the owner (paid service),
 - casing of machine.

P.I.T. WARRANTY CARD

ОБЩИЕ МЕРЫ БЕЗОПАСНОСТИ

1. Большинство узлов и деталей выполнено из легких сплавов и пластика, рассчитанных на длительное использование, но не защищенных от ударных перегрузок, при транспортировке соблюдение правил перевозки обязательно! Аккуратно производите погрузочно-разгрузочные работы и транспортировку, избегая падений и ударов.
2. Никогда не оставляйте легко воспламеняющиеся вещества около компрессора. Никогда не направляйте струю сжатого воздуха в лицо.
3. Не допускайте детей и животных близко к компрессору или другому оборудованию, подключенному к нему. Головка компрессора и воздушные магистрали нагреваются при работе.
4. Не допускайте попадание влаги на компрессор.
5. Не используйте компрессор на строительной площадке.
6. Не допускайте работу компрессора на максимальных режимах более 5 часов (суммарное время).
7. Не работайте с компрессорами во взрывоопасной среде (пары бензина, газа и пр.) и при отрицательных температурах. Помните! Реле давления не отключает компрессор во взрывоопасной среде.
8. При проведении лакокрасочных работ, продувке и чистке струей сжатого воздуха обеспечьте забор воздуха для охлаждения компрессора без примесей мелко дисперсионных частиц, пигментов красящих веществ, а также растворителей. Не работайте при покраске в закрытых помещениях и вблизи открытого огня. Защищайте нос и рот с помощью маски;
9. Не разрешайте использовать компрессор лицам, не получившим необходимые инструкции.
10. Используйте дополнительные маслоотделители, влагоуловители в магистрали при высоких требованиях к качеству сжатого воздуха.
11. Не транспортируйте компрессор без тары и с ресивером под давлением. Перед обслуживанием компрессора удостоверьтесь, что давление было выпущено из ресивера и питание отключено. После любой обслуживающей операции убедитесь, что все компоненты правильно установлены на место.
12. Работайте с компрессором в хорошо проветриваемом помещении.
13. Не допускайте отключение сети при работающем компрессоре или путем выдергивания вилки из розетки, в противном случае при повторном включении возможны перегрузки электродвигателя. Все операции по включению/выключению компрессора производите только нажатием/вытягиванием красного выключателя, расположенного на реле давления.
14. Запрещено раскручивать соединения, если ресивер находится под давлением.
15. Рабочий интервал температуры окружающей среды 0...+35°C;
16. Отключайте от сети компрессор, если он не используется. Это особенно важно в вечерние часы, когда в промышленной сети возможны скачки напряжения, которые могут привести к перегрузке электродвигателя и выходу его из строя.

Запрещается:

1. Эксплуатировать компрессор с неисправной или отключенной защитой;
2. Вносить какие-либо изменения в электрическую или пневматическую цепи компрессора или их регулировку. В частности, изменять значение максимального давления сжатого воздуха и настройку предохранительного клапана;
3. При работе компрессора прикасаться к сильно нагревающимся деталям (головка и блок цилиндров, охладитель, детали нагнетательного воздухопровода, ребра охлаждения электродвигателя);
4. Осуществлять механическую обработку или сварку ресивера. В случае дефектов или коррозии необходимо полностью заменить его, так как он подпадает под особые нормы безопасности;
5. Прикасаться к компрессору мокрыми руками или работать в сырой обуви;
6. Направлять струю сжатого воздуха на себя или находящихся рядом людей;
7. Допускать в рабочую зону детей и животных;
8. Производить окрасочные работы в непроветриваемом помещении или вблизи открытого пламени;
9. Хранить керосин, бензин и другие легковоспламеняющиеся жидкости в месте установки компрессора;
10. Оставлять без присмотра компрессор, включенный в сеть;
11. Производить ремонтные работы компрессора, включенного в сеть и без снятия давления в ресивере;

РАСШИФРОВКА ТОРГОВОЙ МАРКИ P.I.T.

P.I.T.[®] Progressive Innovational Technology

(Прогрессивные Инновационные Технологии)
 В настоящее время под маркой P.I.T. выпускается механическое и электрическое оборудование 10 видов. По объему продаж компрессоры занимают одно из лидирующих мест.

Каждая буква и цифра в обозначении модели компрессора P.I.T. имеет значение.

НАЗНАЧЕНИЕ

Модели представляют собой однофазные воздушные компрессоры, предназначенные для производства сжатого воздуха. Компактные и надежные в эксплуатации, универсальные аппараты

ПРИНЦИП РАБОТЫ

Принцип работы такого типа воздушного компрессора не является сложным. Выглядит он следующим образом. Весь рабочий цикл складывается всего из двух движений поршня. Происходит это таким образом: при поступательном движении поршня воздух или любой другой газ всасываются в цилиндр, а когда поршень выполняет возвратное действие, воздух в цилиндре сжимается, за счет чего и происходит нарастание силы давления. Во время этого действия клапан всасывающего действия закрывается, а в работу вступает нагнетательный клапан, который выталкивает сжатый воздух в магистраль. Таким образом, весь цикл работы поршневого воздушного компрессора и происходит, поршень в это время опять начинает поступательное движение, и весь цикл повторяется снова и снова, пока этого требует необходимость.

ТЕХНИЧЕСКИЕ ХАРАКТЕРИСТИКИ

	PAC016001-2.5/100	PAC016002-3.3/100
Номинальное напряжение	220 В	220 В
Номинальная частота	50 Гц	50 Гц
Мощность	2500Вт	3300Вт
Объем ресивера	100 л	100 л
Производительность	330л/мин	370л/мин
Рабочее давление	8 бар	8 бар
Вес	17кг	24.3 кг

Примечание. Так как изделия постоянно совершенствуются, то компания P.I.T. оставляет за собой право на внесение изменений в указанные здесь технические характеристики и комплектацию изделия без предварительного уведомления.

КОМПЛЕКТ ПОСТАВКИ

- Воздушный компрессор
- Воздушный фильтр
- Инструкция по эксплуатации
- Комплект колес
- Масляный сапун

Например, **PAC016001-2.5/100:**

P – торговая марка P.I.T.

AC -(Air compressor)Воздушный компрессор

016001– серия модификации

2.5/100- Мощность 2.5 кВт, объем воздушного баллона (ресивера) составляет 100 л.

подойдут для любого пользователя.

Компрессоры отвечают современным техническим стандартам и стандартам качества, обеспечивая долгий и безопасный эксплуатационный период.

ФУНКЦИОНАЛЬНЫЕ ВОЗМОЖНОСТИ И ОСОБЕННОСТИ ВОЗДУШНОГО КОМПРЕССОРА

Функциональные возможности:

Применяется для нанесения красок, лаков и грунтов при помощи краскопульта, нанесение антикоррозийных составов, продувка, работа с полировальным и шлифовальным пневмоинструментом

Особенности:

- двигатель с термозащитой
- редуктор, с помощью которого регулируется давление
- удобная рукоятка и большие колеса делают транспортировку удобной и легкой
- работает со всеми видами пневмоинструмента

РАСШИФРОВКА ДАТЫ ИЗГОТОВЛЕНИЯ ИЗДЕЛИЯ

Дата изготовления изделия зашифрована в серийном номере, напечатанном на корпусе инструмента. Первые 2 цифры обозначают год выпуска, следующие 2 цифры – месяц и следующие 2 цифры – день

№.

1	7	0	7	3	0	0	3	9	5
---	---	---	---	---	---	---	---	---	---

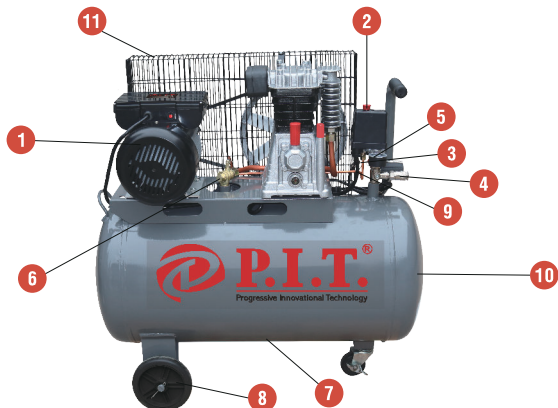
|
|
|
|
|
|
|
|
|
|

год месяц день

Примечание: есть отсутствует

Модель	Двойная изоляция	Регулирующий клапан давления	Кран регулятор	Воздушный фильтр в комплекте	Тепловая защита
PAC016001-2.5/100	<input checked="" type="checkbox"/>	<input type="checkbox"/>	<input checked="" type="checkbox"/>	<input checked="" type="checkbox"/>	<input checked="" type="checkbox"/>
PAC016002-3.3/100	<input checked="" type="checkbox"/>	<input type="checkbox"/>	<input checked="" type="checkbox"/>	<input checked="" type="checkbox"/>	<input checked="" type="checkbox"/>

УСТРОЙСТВО ВОЗДУШНОГО КОМПРЕССОРА



1 Двигатель

основная составляющая компрессора. С него начинается выработка сжатого воздуха. Выполнен из алюминиевого сплава с ребрами охлаждения

2 Реле давления



используется для управления электродвигателем воздушного компрессора в автоматическом режиме по установленным диапазонам давления. Основная задача, которую помогают решить реле – это поддержание необходимого рабочего давления в ресивере компрессора

3 Выпускной клапан



служит для сброса воздуха в атмосферу. Установлен на нагнетательном трубопроводе компрессора. В закрытом положении клапан удерживается пружиной

4 Кран-регулятор



служит для регулирования выходного потока воздуха.

5 Манометр



показывает давление внутри ресивера. Установлен на реле давления.

6 Обратный клапан



служит для недопущения изменения воздушного потока в системе. Установлен на трубопроводе.

7 Спускной клапан конденсата



служит для удаления конденсата из ресивера

8 Транспортные колеса

служат для быстрой и удобной транспортировки

9 Выпускная труба



соединяет двигатель, обратный клапан и ресивер. По данной магистрали проходит воздушный поток на выход

10 Воздушный бак(ресивер)

служит в качестве накопителя сжатого воздуха. Компрессорный аппарат накапливает сжатый воздух в ресивере; это компенсирует переменность расхода воздуха под давлением в линии, так обеспечивается подача воздуха в бесперебойном режиме, снижается количество циклов включения/выключения компрессора.

11 Защитный кожух

предохраняет от возможных повреждений важных частей компрессора

ПРАВИЛА ЭКСПЛУАТАЦИИ

Подготовка компрессора к работе

1. Установите компрессор на горизонтальную, ровную площадку с учетом его массы и габаритных размеров.
2. Предусмотрите свободное место для обслуживания компрессора.
3. Для поддержания рабочих температур в пределах норм устанавливайте компрессор в местах с достаточной вентиляцией. Температура воздуха в помещении должна быть в пределах от +5° до +35°С. Не допускается работа компрессора в неотапливаемых помещениях. В случае недостаточной вентиляции необходимо обеспечить приток достаточного количества воздуха для охлаждения компрессора и отвод горячего воздуха из помещения. Не допускайте рециркуляции горячего воздуха.
3. Не устанавливайте компрессор в местах, где температура может быть менее +5°С и высота над уровнем моря более 2000м
4. Нормальная температура компрессора 80°С, масла в картере 70°С.
5. Колебания напряжения не должны превышать ±5% от номинального.
6. Уровень масла в картере не должен быть ниже красной отметки индикатора уровня масла.
7. Необходимо дать поработать компрессору 1–2 минуты для лучшего распределения масла.
8. Используйте только чистое масло.

Пуск и эксплуатация компрессора

1. Внимательно изучите и следуйте инструкциям руководства по эксплуатации.
2. Раскройте упаковку, проверьте комплектность, убедитесь в отсутствии повреждений.
3. Установите на ресивер амортизаторы и колеса.
4. Извлеките заводскую транспортную пробку маслозаливной горловины.
5. Залейте масло в картер и завинтите пробку маслозаливной горловины. Проверьте уровень масла по маслоуказателю – он должен находиться выше красной отметки на смотровом стекле. При необходимости долейте компрессорное масло. Не допускайте утечек масла из соединений и попадания масла на наружные поверхности компрессора.
6. Установите воздушный фильтр.
7. Проверьте напряжение питающей сети
8. Надежно соедините компрессор с потребителями сжатого воздуха, используя соответствующий пневмоинструмент.
9. Откройте кран слива конденсата, а затем закройте его
10. Пуск и остановка компрессора осуществляется только выключателем на блоке реле давления. По мере расхода воздуха, реле давления автоматически включает и выключает компрессор, поддерживая давление сжатого воздуха в заданных пределах.

Внимание! Во избежание перегрева электродвигателя, компрессор работает в двухтактном режиме периодического включения. В случае перегрева срабатывает термозащита, установленная на электродвигателе.

**НАИБОЛЕЕ ЧАСТО ВСТРЕЧАЮЩИЕСЯ НЕПОЛАДКИ
воздушного компрессора и способы их устранения:****Снижение производительности компрессора****Причины:**

1. Засорение воздушного фильтра
2. Нарушение плотности соединений или повреждение воздухопроводов

Способы устранения:

1. Очистить или заменить фильтрующий элемент
2. Определить место утечки, уплотнить соединение, заменить воздухопровод

**Утечка воздуха из ресивера в нагнетательный воздухопровод -
постоянное «шипение» при отключении компрессора****Причины:**

1. Попадание воздуха из ресивера в нагнетательный воздухопровод из-за износа или засорения уплотнителя обратного клапана

Способы устранения:

1. Вывернуть шестигранную головку клапана, очистить седло и уплотнительную прокладку или заменить

Перегрев двигателя и остановка компрессора во время работы**Причины:**

1. Недостаточный уровень масла в картере компрессора.
2. Продолжительная работа компрессора при максимальном давлении и потреблении воздуха – срабатывание защиты.
3. Пониженное напряжение сети

Способы устранения:

1. Проверить качество и уровень масла, при необходимости долить масло.
2. Снизить нагрузку на компрессор, уменьшив потребление воздуха. Компрессор запустится автоматически
3. Исключить из цепи электропитания все удлинители

Остановка компрессора во время работы**Причины:**

1. Нарушения в цепи питания

Способы устранения:

1. Проверить цепь питания

Компрессор выключается и затем сам через несколько минут включается**Причины:**

1. Срабатывает термозащита из-за перегрева двигателя

Способы устранения:

1. Очистить шланги подачи воздуха. Проветрить помещение. Вернуть реле термозащиты в рабочее состояние. Проверить уровень и качество масла.

ТЕХНИЧЕСКОЕ ОБСЛУЖИВАНИЕ

1. Замена воздушного фильтра

Для проведения технического обслуживания, необходимо вывернуть винты защитного кожуха. После этого очистить всасывающий фильтр. Эту процедуру необходимо выполнять в зависимости от состояния окружающей среды, но не реже чем каждые 100 часов работы. При необходимости нужно заменить фильтрующий элемент(засоренный фильтр способствует большому износу компрессора).

2. Замена масла

Масло заменить после первых 100 часов работы, а затем через каждые 300 часов. Необходимо периодически проверять уровень масла по завершении работы слить конденсат, накопившийся внутри ресивера, тем самым предохраняя инструмент от коррозии.

Обслуживание инструмента должно быть выполнено только квалифицированным персоналом уполномоченных сервисных центров.

СОГЛАШЕНИЕ О ГАРАНТИЙНОМ СЕРВИСЕ

1. Настоящее гарантийное свидетельство является единственным документом, подтверждающим Ваше право на бесплатное гарантийное обслуживание. Без предъявления данного свидетельства претензии не принимаются. В случае утери или порчи гарантийное свидетельство не восстанавливается.
 2. Гарантийный срок на электроинструмент составляет 12 месяцев со дня продажи, в течение гарантийного срока сервисная служба бесплатно устраняет производственные дефекты и производит замену деталей, вышедших из строя по вине изготовителя. На период гарантийного ремонта эквивалентный исправный инструмент не предоставляется. Заменяемые детали переходят в собственность служб сервиса. Компания P.I.T. не несет ответственности за вред, который может быть причинен при работе с электроинструментом.
 3. В гарантийный ремонт инструмент принимается в чистом виде, при обязательном наличии надлежащим образом оформленных документов: настоящего гарантийного свидетельства, гарантийного талона, с полностью заполненными полями, штампом торговой организации и подписью покупателя.
 4. Гарантийный ремонт не производится в следующих случаях:
 - при отсутствии гарантийного свидетельства и гарантийного талона или неправильном их оформлении;
 - при несовместном выходе из строя якоря и статора электродвигателя, при обугливание или оплавлении первичной обмотки трансформатора сварочного аппарата, зарядного или пуско-зарядного устройства, при оплавлении внутренних деталей, прожиге электронных плат;
 - если гарантийное свидетельство или талон не принадлежат данному электроинструменту или не соответствует установленному поставщиком образцу;
 - по истечении срока гарантии;
 - при попытках самостоятельного вскрытия или ремонта электроинструмента вне гарантийной мастерской; внесения конструктивных изменений и смазки инструмента в гарантийный период, о чем свидетельствуют, например, заломы на шлицевых частях крепежа корпусных деталей.
 - при использовании электроинструмента в производственных или иных целях, связанных с получением прибыли, а также – при возникновении неисправностей связанных с нестабильностью параметров электросети, превышающих нормы, установленные ГОСТ;
 - при неправомерной эксплуатации (использование электроинструмента не по назначению, установки на электроинструмент не предназначенных заводом-изготовителем насадок, дополнительных приспособлений и т.п.;
 - при механических повреждениях корпуса, сетевого шнура и при повреждениях, вызванных воздействиями агрессивных средств и высоких и низких температур, попадании инородных предметов в вентиляционные решетки электроинструмента, а также при повреждениях, наступивших в результате неправильного хранения(коррозия металлических частей);
 - при естественном износе деталей электроинструмента, в результате длительной эксплуатации(определяется по признакам полной или частичной выработки ресурса, сильного загрязнения, ржавчины снаружи и внутри электроинструмента, отработанной смазки в редукторе);
 - использование инструмента не по назначению, указанному в инструкции по эксплуатации.
 - при механических повреждениях инструмента;
 - при возникновении повреждений в связи с несоблюдением предусмотренных инструкцией условий эксплуатации(см. главу Указание по технике безопасности в инструкции).
 - повреждение изделия вследствие несоблюдения правил хранения и транспортировки.
- Профилактическое обслуживание электроинструмента (чистка, промывка, смазка, замена пыльников, поршневых и уплотнительных колец) в гарантийный период является платной услугой.
- Срок службы изделия установлен в соответствии с действующим законодательством и составляет 5 лет со дня изготовления.
- О возможных нарушениях, изложенных выше условий гарантийного обслуживания, владельцу сообщается после проведения диагностики в сервисном центре.
- Владелец инструмента доверяет проведение диагностики в сервисном центре в свое отсутствие.
- Запрещается эксплуатация электроинструмента при проявлении признаков повышенного нагрева, искрения, а также шума в редукторной части. Для выяснения причин неисправности покупателю следует обратиться в гарантийную мастерскую.
- Неисправности, вызванные несвоевременной заменой угольных щеток двигателя, устраняются за счет покупателя.
5. Гарантия не распространяется на:
 - сменные принадлежности (аккумуляторы и оснастка), например: аккумуляторы, диски, ножи, сверла, буры, патроны, цепи, звездочки, цанговые зажимы, шины, элементы натяжения и крепления, головки триммеров, подошвы шлифовальных и ленточных машин, фильтры и т.п.
 - быстроизнашивающиеся детали, например: угольные щетки, приводные ремни, сальники, защитные кожухи, направляющие ролики, направляющие, резиновые уплотнения, подшипники, зубчатые ремни и колеса, стволы, ленты тормоза, храповики и тросы стартеров, поршневые кольца и т.п. Замена их в течении гарантийного срока является платной услугой.
 - шнуры питания, в случае повреждения изоляции, шнуры питания подлежат обязательной замене без согласия владельца (услуга платная).
 - корпуса инструмента.



P.I.T. WARRANTY CARD

Name _____
Serial Number _____
Sale Date ____20____
Date of Receipt from Repair ____20____



Name _____
Serial Number _____
Sale Date ____20____
(Filled out by a Seller)
WARRANTY REPAIR CARD
Date of Acceptance for Repair ____20____
Application for Repair _____
Customer _____
Phone (Address) _____
Cause of Application _____
Date of Receipt from Repair ____20____
The Tool is checked in my presence _____
(The Order shall be performed in a Service Center) (Signature)

Place of Seal

Place of Seal

Name _____
Serial Number _____
Sale Date ____20____
Date of Receipt from Repair ____20____



Name _____
Serial Number _____
Sale Date ____20____
(Filled out by a Seller)
WARRANTY REPAIR CARD
Date of Acceptance for Repair ____20____
Application for Repair _____
Customer _____
Phone (Address) _____
Cause of Application _____
Date of Receipt from Repair ____20____
The Tool is checked in my presence _____
(The Order shall be performed in a Service Center) (Signature)

Place of Seal

Place of Seal

Name _____
Serial Number _____
Sale Date ____20____
Date of Receipt from Repair ____20____



Name _____
Serial Number _____
Sale Date ____20____
(Filled out by a Seller)
WARRANTY REPAIR CARD
Date of Acceptance for Repair ____20____
Application for Repair _____
Customer _____
Phone (Address) _____
Cause of Application _____
Date of Receipt from Repair ____20____
The Tool is checked in my presence _____
(The Order shall be performed in a Service Center) (Signature)

Place of Seal

Place of Seal

ГАРАНТИЙНЫЙ ТАЛОН P.I.T.


Наименование _____
 Серийный номер _____
 Дата продажи «__» _____ 20 __ г.
 (Заполняется продавцом)

М.П.

КАРТА ГАРАНТИЙНОГО РЕМОНТА __
 Дата приема в ремонт __ _____ 20 __ г.
 Заявка на ремонт _____
 Заказчик _____
 Телефон(адрес) _____
 Причина обращения _____
 Дата получения из ремонта __ _____ 20 __ г.
 Инструмент проверен в моем присутствии _____
 (Заказ заполняется в сервисном центре) (подпись)

М.П.

Наименование _____
 Серийный номер _____
 Дата продажи «__» _____ 20 __ г.
 Дата получения из ремонта «__» _____ 20 __ г.



Наименование _____
 Серийный номер _____
 Дата продажи «__» _____ 20 __ г.
 (Заполняется продавцом)

М.П.

КАРТА ГАРАНТИЙНОГО РЕМОНТА __
 Дата приема в ремонт __ _____ 20 __ г.
 Заявка на ремонт _____
 Заказчик _____
 Телефон(адрес) _____
 Причина обращения _____
 Дата получения из ремонта __ _____ 20 __ г.
 Инструмент проверен в моем присутствии _____
 (Заказ заполняется в сервисном центре) (подпись)

М.П.

Наименование _____
 Серийный номер _____
 Дата продажи «__» _____ 20 __ г.
 Дата получения из ремонта «__» _____ 20 __ г.



Наименование _____
 Серийный номер _____
 Дата продажи «__» _____ 20 __ г.
 (Заполняется продавцом)

М.П.

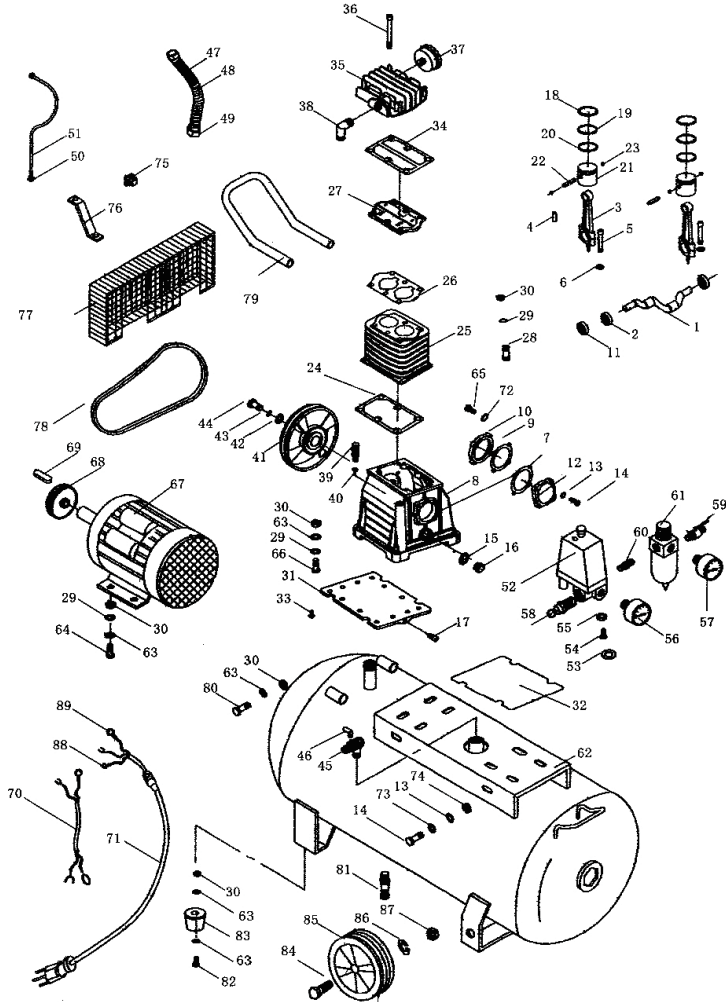
КАРТА ГАРАНТИЙНОГО РЕМОНТА __
 Дата приема в ремонт __ _____ 20 __ г.
 Заявка на ремонт _____
 Заказчик _____
 Телефон(адрес) _____
 Причина обращения _____
 Дата получения из ремонта __ _____ 20 __ г.
 Инструмент проверен в моем присутствии _____
 (Заказ заполняется в сервисном центре) (подпись)

М.П.

Наименование _____
 Серийный номер _____
 Дата продажи «__» _____ 20 __ г.
 Дата получения из ремонта «__» _____ 20 __ г.

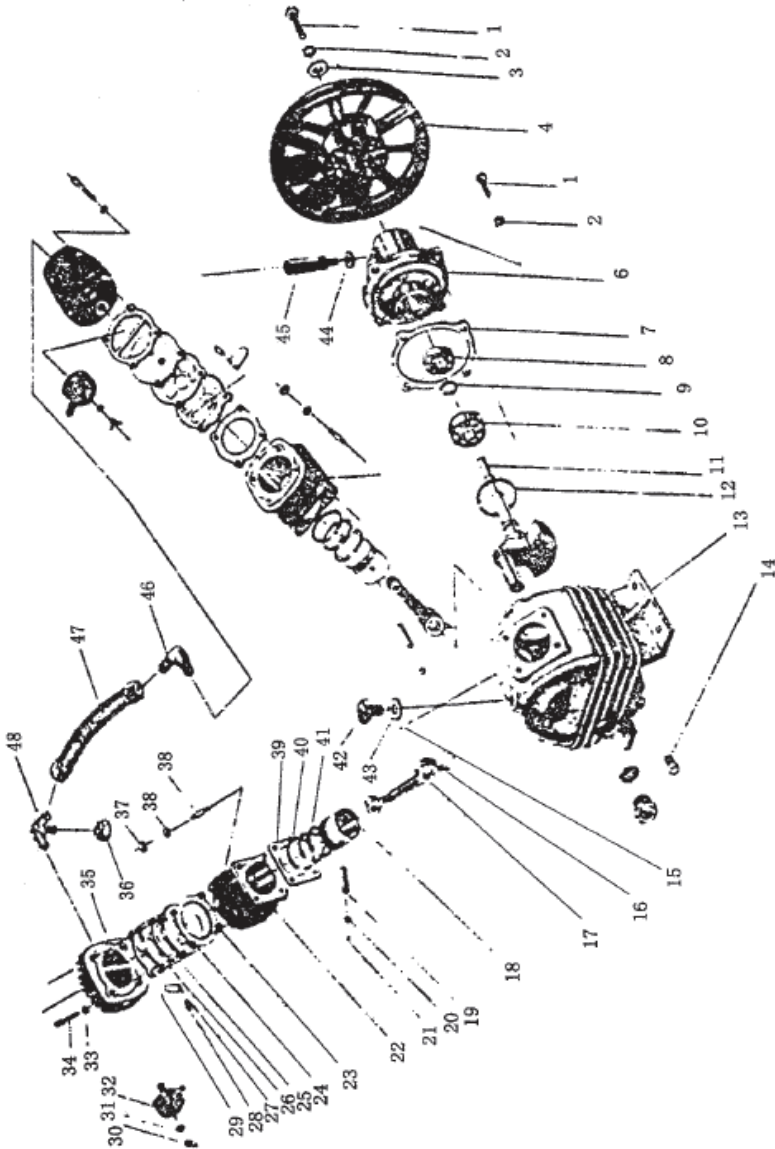
ГАРАНТИЙНЫЙ ТАЛОН P.I.T.

PAC016001-2.5/100





PAC016002-3.3/100



Progressive Innovational Technology

Поставщик / производитель: Xinjiang Longbo Industrial Co., Ltd./Синзянь Лонгбо Индастриал Ко., Лтд.

Адрес производства: Rm. 602, 6th Floor, No. 531, Weixing Road, Economic And Technological Development Zone, Urumqi, Xinjiang, China / Оф.602, 6 этаж, №531, Вейшинг Родд, Экономик Энд Технолджикал Девелопмент Зон, Урумчи, Синзянь, Китай

Импортер/ организация, уполномоченная принимать претензии: ООО «Турбо-Тулс»

Юридический адрес: 614058, Пермский край, г. Пермь, ул. Фоминская, 36
info@pittools.ru

Сделано в КНР / Made in China

